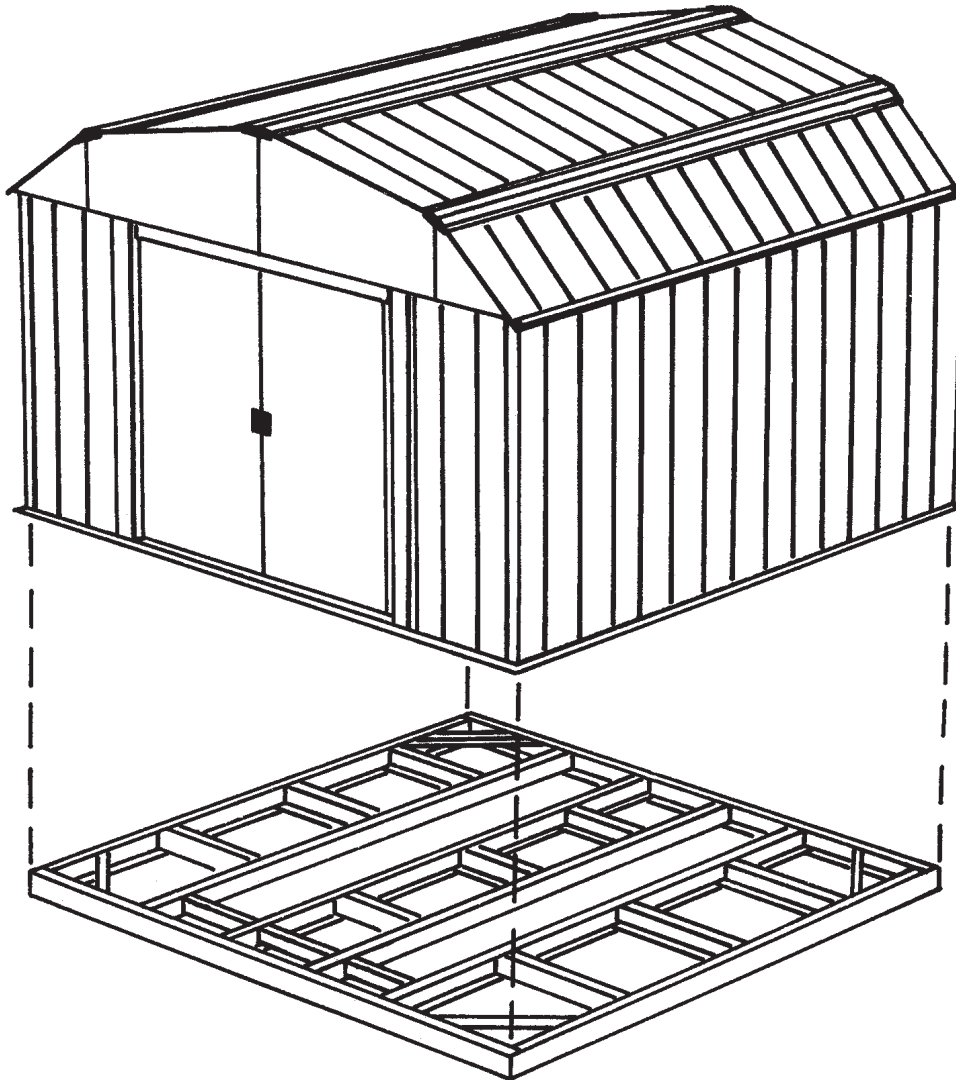


Owner's Manual & Assembly Instructions

PL01

BASE KIT

Model No. FDN109



CAUTION: SOME PARTS HAVE SHARP EDGES. CARE MUST BE TAKEN WHEN HANDLING THE VARIOUS PIECES TO AVOID A MISHAP. FOR SAFETY SAKE, PLEASE READ SAFETY INFORMATION PROVIDED IN THIS MANUAL BEFORE BEGINNING CONSTRUCTION. WEAR GLOVES WHEN HANDLING METAL PARTS.

NOTE: THIS KIT IS NOT SELF SUPPORTING. SEE IMPORTANT INSTRUCTIONS ON BACK COVER

BEFORE YOU BEGIN....

PL02

1. Before beginning construction, check local building codes regarding footings, location and other requirements. Study and understand this owner's manual.
2. Follow all directions and dimensions carefully.
3. Follow the step sequence carefully for successful results.
4. Be sure all the parts fit together properly before proceeding.
5. **IMPORTANT:** Remove Owner's Manual from main carton of your storage building and locate Interior Dimensions on the front cover.
6. **SAFETY FIRST:** Care must be taken when handling various pieces of your kit since some contain sharp edges. Please wear work gloves, eye protection and long sleeves when assembling or performing any maintenance on your kit.
7. **BASIC TOOLS:** No. 2 Phillips screwdriver, pliers, work gloves, tape measure, level and a spade or shovel.
8. **GROUND MUST BE LEVEL!**
9. **DO NOT STEP ON CHANNELS OR ANGLES UNTIL FLOORING MATERIAL IS IN PLACE!**
10. Separate contents of the carton by the part number while reviewing parts list. Check to be sure that you have all the necessary parts for your kit. If you find a part missing, include the model number of your kit and contact:

Arrow Shed, LLC

1101 North 4th Street

Customer Service Department

Breese, Illinois 62230

1-800-851-1085 or assist@arrowsheds.com

Parts List

Part Number	Part Description	Quantity in Carton	
9216	Front & Rear Channel 62" 157,5 cm	4	
9218	Side Channel 53 1/2" 135,9 cm	12	
0572	Corner Angle	4	
9214	Cross Channel 21 7/16" 54,5 cm	4	
9215	Cross Channel 32" 81,3 cm	6	
9715	Cross Channel 19 3/16" 48,7 cm	2	



65004
#8Ax5/16" (8 mm)
Screw (72)



65923
#8-32x3/8" (10 mm)
Bolt (38)

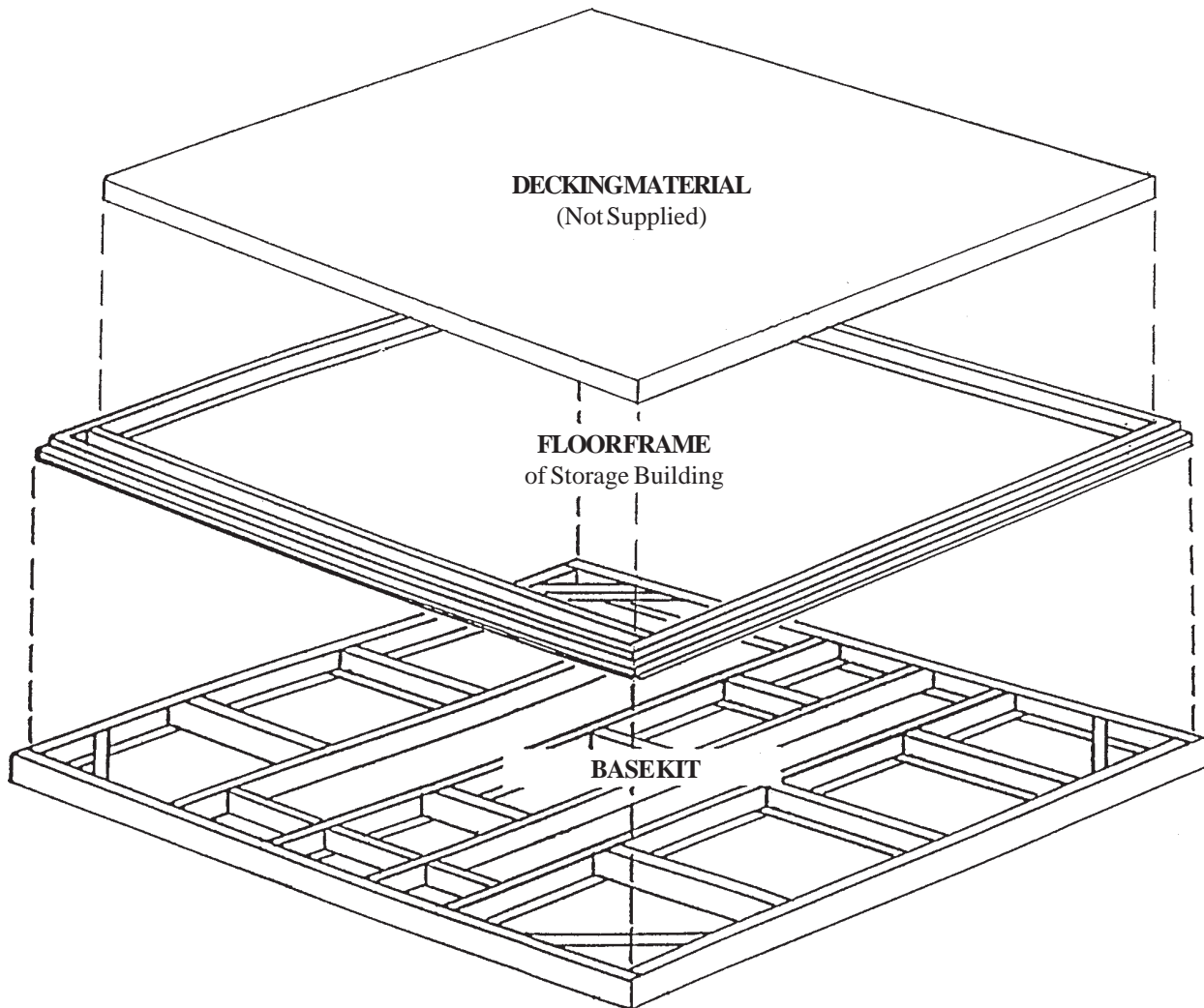


65103
#8-32 Hex Nut (38)

How The Base Kit Works

PK03

1. Assemble Floor Frame.
2. Assemble Base Kit.
3. Attach Floor Frame assembly to Base Kit.
4. Attach decking material inside Floor Frame assembly.



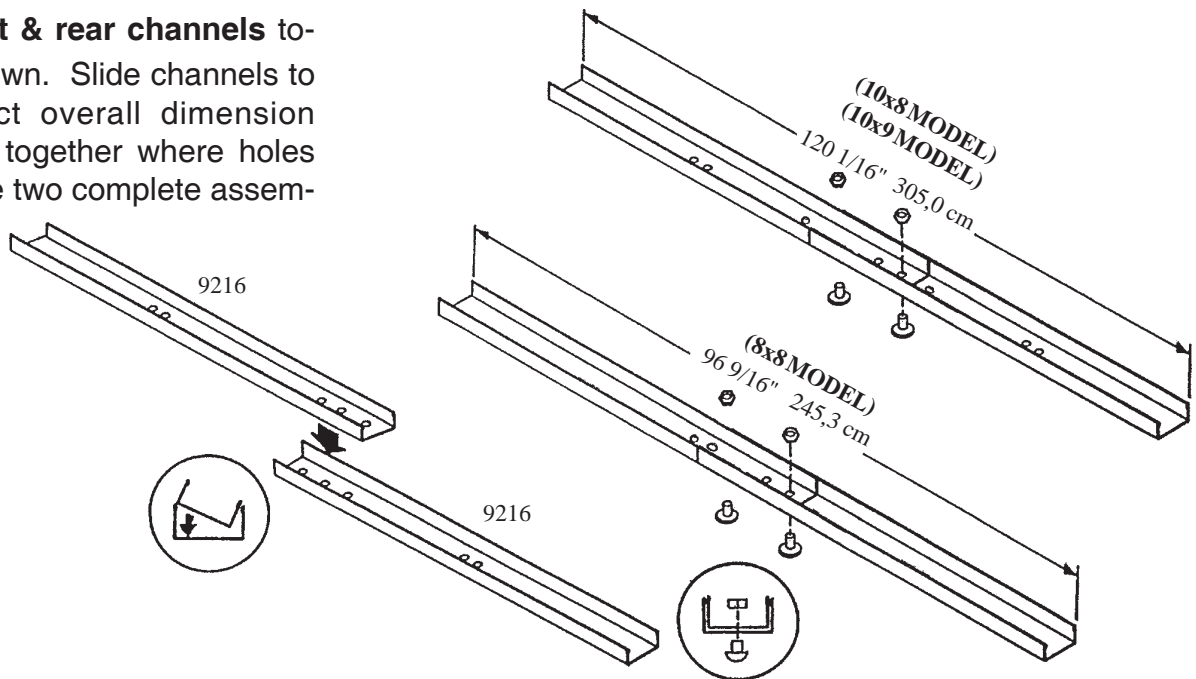
Step 1

PL04

● Parts Needed For ● Front & Rear Channel Assemblies

● 9216 Front & Rear Channel (4)

1 Snap front & rear channels together as shown. Slide channels to match correct overall dimension shown. Bolt together where holes line up. Make two complete assemblies.

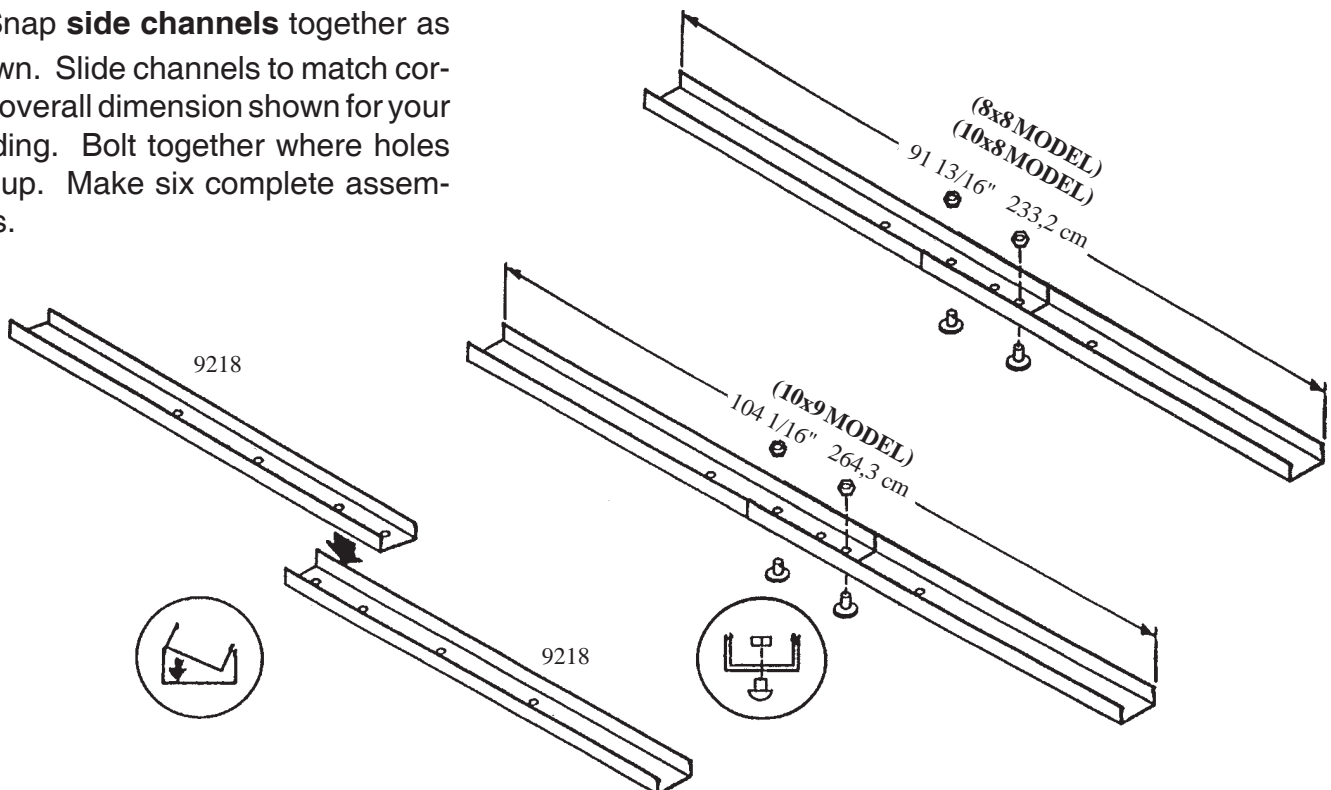


Step 2

● Parts Needed For ● Side Channel Assemblies

● 9218 Side Channel (12)

2 Snap side channels together as shown. Slide channels to match correct overall dimension shown for your building. Bolt together where holes line up. Make six complete assemblies.



Step 3

PL05

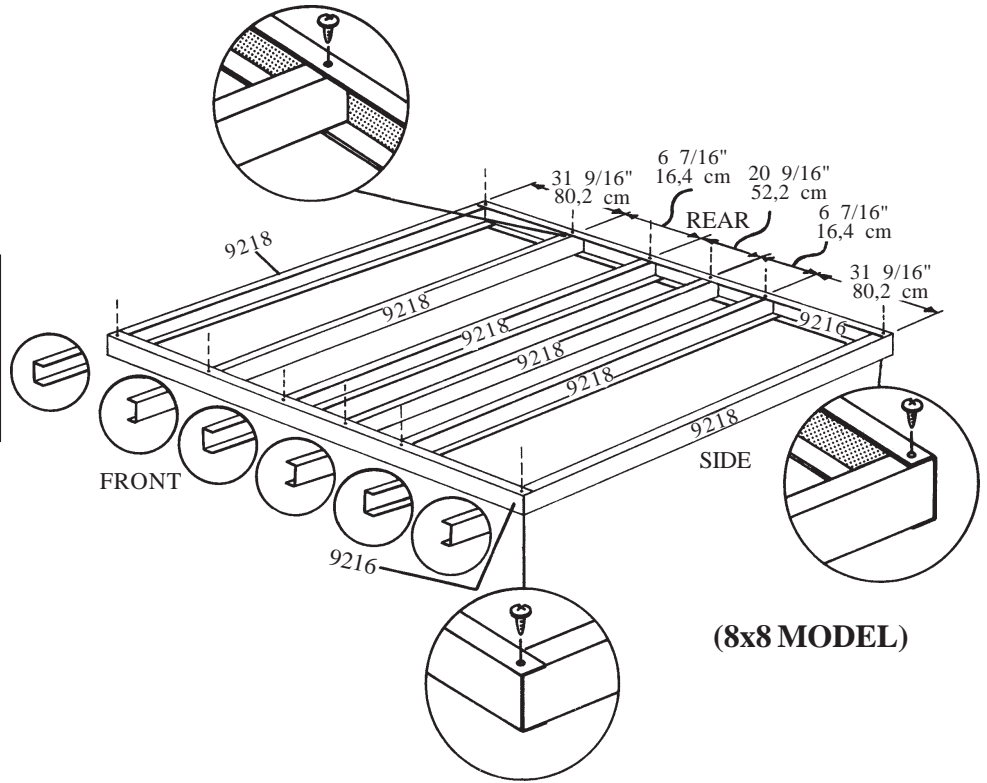
● Parts Needed For ● Fastening Channels

- F & R Channel Assemblies (2)
- Side Channel Assemblies (6)

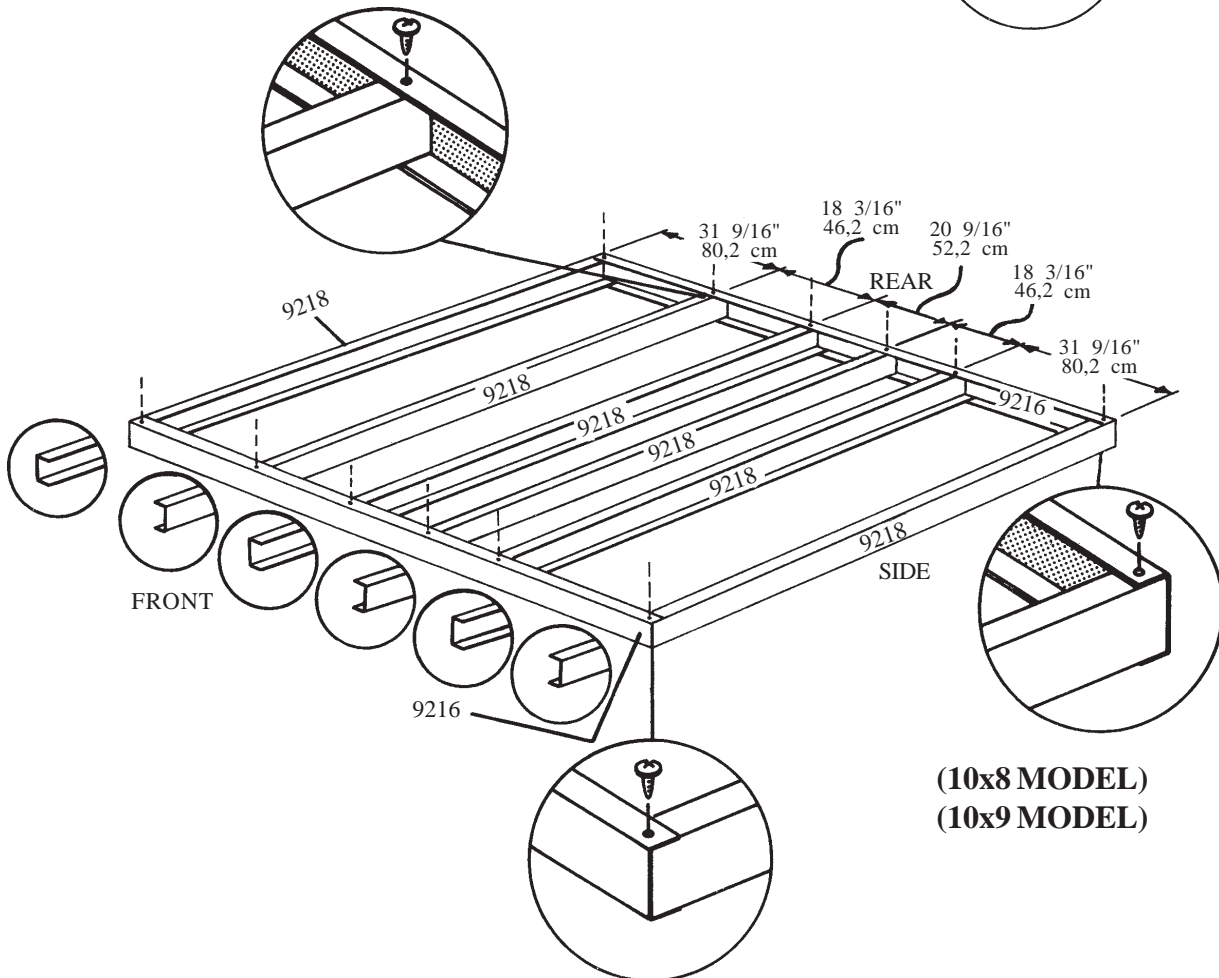
3 Fasten two front & rear channels to two side channels using screws on the top flanges to form a rectangle. Attach the four remaining side channels at the dimensions shown, with flanges facing direction shown, using screws.

NOTE

Ground must be level.
Do not step on channels or angles until flooring material is in place.



(8x8 MODEL)



(10x8 MODEL)
(10x9 MODEL)

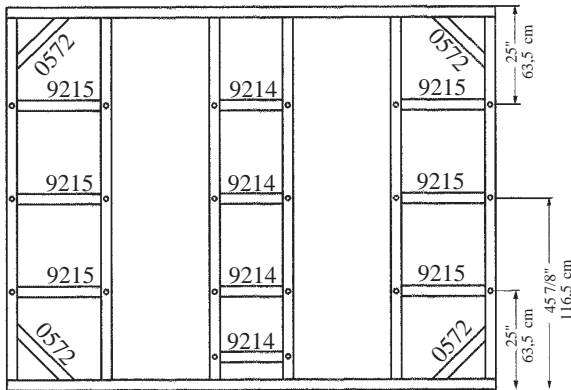
Step 4

PL06

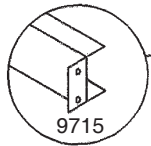
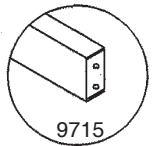
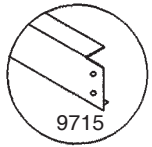
Parts Needed For Fastening Cross Channels

- 9215 Cross Channel (6)
- 9214 Cross Channel (4)
- 9715 Cross Channel (2)

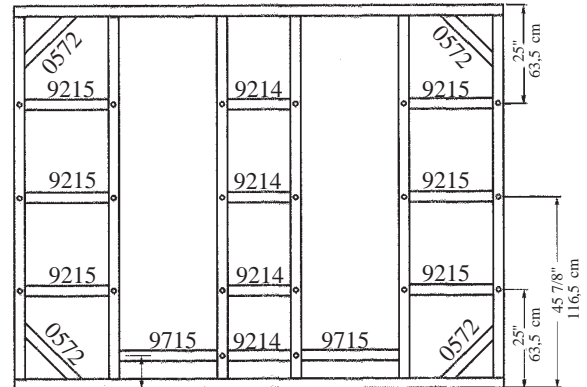
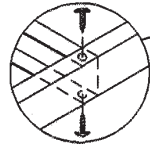
4 Attach **cross channels 9215** following dimensions shown for your building, using screws. Fasten **cross channels 9715** to next section, bend tabs on ends of channels inward (outward for ES109) before installation with four bolts and nuts. Fasten **cross channels 9214** to middle section using screws. **Carefully turn unit over and fasten opposite side connections with screws.**



FRONT
(8x8 MODEL)

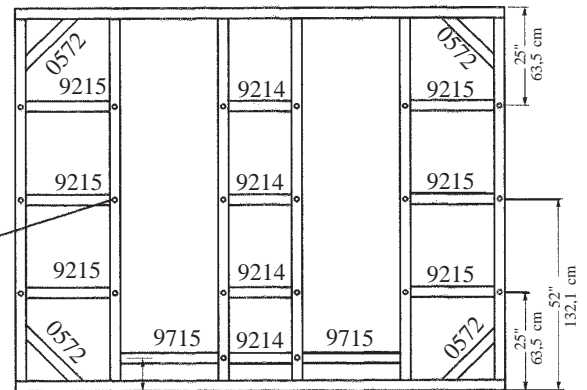


(For ES109 ONLY)



4 5/8" 11,7 cm
(5 5/8" 14,3 cm for ES109 ONLY)

FRONT
(10x8 MODEL)



4 5/8" 11,7 cm
(5 5/8" 14,3 cm for ES109 ONLY)

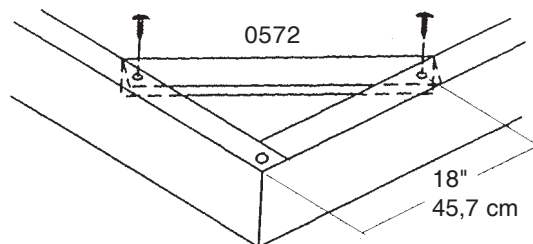
FRONT
(10x9 MODEL)

Step 5

Parts Needed For Fastening Corner Angles

- 0572 Corner Angle (4)

5 Fasten **corner angles** to corners of unit at the 18" 45,7 cm dimension using screws.



Attach Floor Frame Assembly

PL07

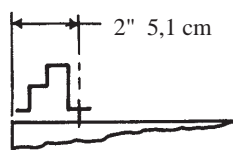
6 Do not fasten decking material at this time!

NOTE: FLOOR FRAME MUST BE LEVEL AND SQUARE BEFORE PROCEEDING!

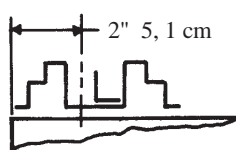
If you are using decking material, complete the floor frame assembly for the storage building as shown in the assembly instructions found in building carton. **Position floor frame assembly on base kit, equal distance on the sides, front and rear.** Disregard statement in building instructions and anchor front and rear floor frames at dimension shown to side channels and side floor frames to cross channels using bolts and nuts. *

If you are using the base kit as a finished form to pour concrete, see next page. Pour concrete first, then attach the floor frame assembly using concrete anchor bolts, available at your local building supply store.

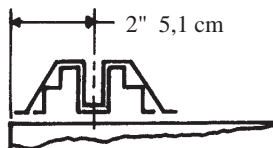
RAMP MUST BE FASTENED TO FRONT FLOOR FRAMES SO THAT HOLES AT 5/16" 0,8 CM ARE TOWARD THE FRONT TO LINE UP WITH HOLES IN BASE KIT CHANNELS AT 2" 5,1 CM DIM.



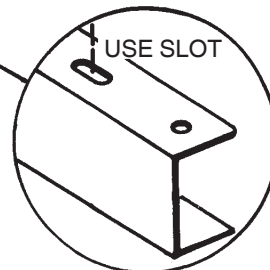
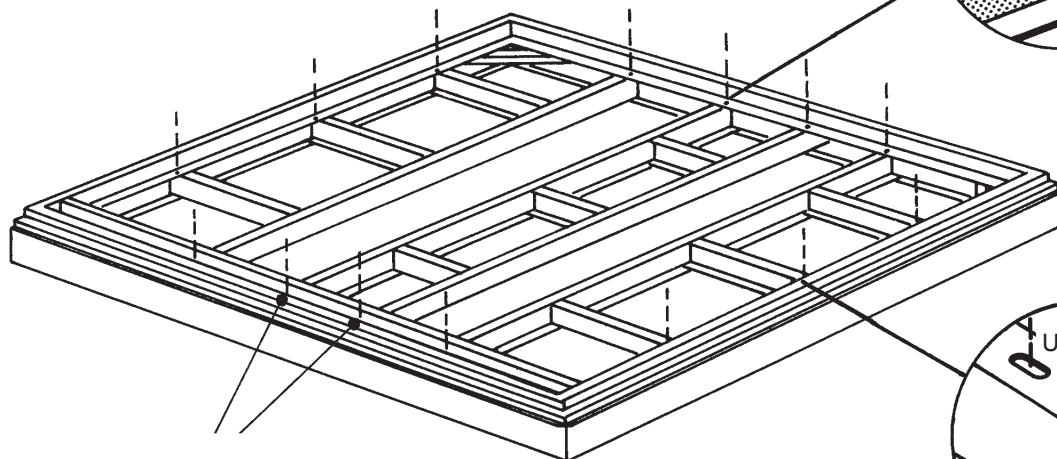
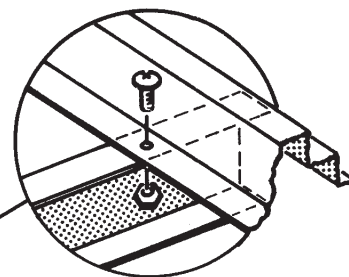
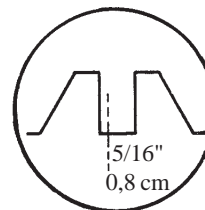
SIDES & REAR



Model ES109



8x8 or 10x8 or 10x9



NOTE: PICK UP COMPLETED KIT TO ATTACH NUTS TO BOLTS AT THESE TWO LOCATIONS.

* If there are no anchor holes in floor frames, or they do not line up: Assemble the base kit to match the floor frames, and drill 1/4" (6 mm) dia. holes at the cross members for attachment with bolts and nuts provided.

Finishing Materials

PL08

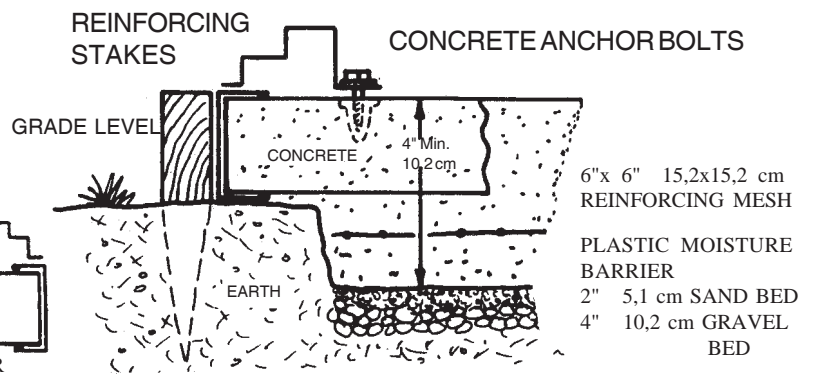
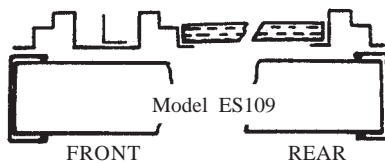
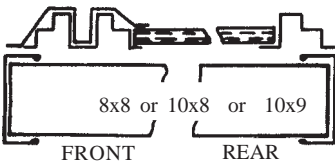
Select one of the suggested finishing materials. Be sure Base Kit lies flat on the ground. To prepare the earth bed, remove sod and other organic debris, level the high spots with a flat shovel, and tamp the bed down.

LAY EXTERIOR PLYWOOD OR ANY SUITABLE DECK MATERIAL (5/8" 15,5 MM MINIMUM THICKNESS) NOTE: Pressure Treated Lumber must not be used where it will make contact with your Arrow Products. The properties of Pressure Treated Lumber will cause accelerated corrosion. If Pressure Treated Lumber comes in contact with your Arrow Models your warranty will be voided.

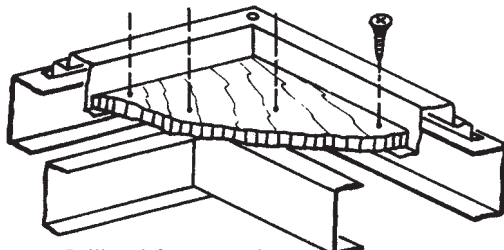
IMPORTANT NOTE: If leveling blocks are required due to uneven ground conditions, the base kit must be completely supported along outside perimeter, **because the kit is not self supporting.** Plywood rests between floor frames on the inside flange.

USE AS FINISHED FORM TO POUR CONCRETE

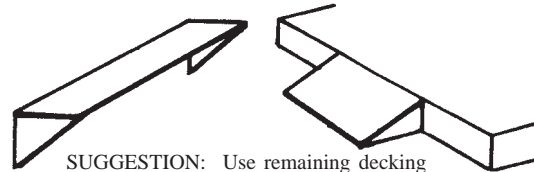
SUGGESTED METHOD



Placement & Amount of Materials

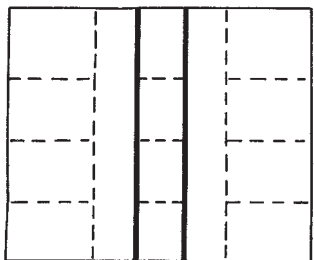


Drill and fasten wood to steel frames using dry wall screws.



SUGGESTION: Use remaining decking material for shelving or an entry ramp.

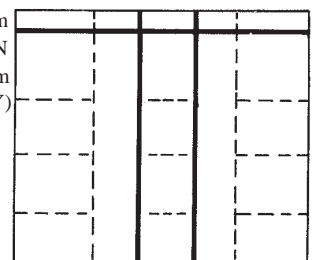
48" 20 1/2" 48"
121,9 cm 52,1 cm 121,9 cm



FRONT .95 CUBIC YARD 0,726 M³
10x8 CONCRETE

3- 4x8 1220x2440 MM SHEETS
DECK MATERIAL

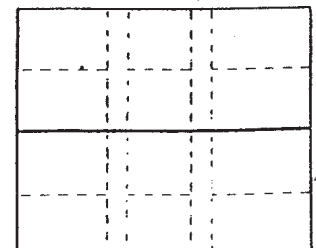
48" 20 1/2" 48"
121,9 cm 52,1 cm 121,9 cm



FRONT 1.07 CUBIC YARD 0,818 M³
10x9 CONCRETE

3- 4x8 1220x2440 MM SHEETS
DECK MATERIAL

93 1/16" 236,4 cm



FRONT .76 CUBIC YARD 0,581 M³
8x8 CONCRETE

2- 4x8 1220x2440 MM SHEETS
DECK MATERIAL

Finish construction of your storage building following the assembly instructions.