

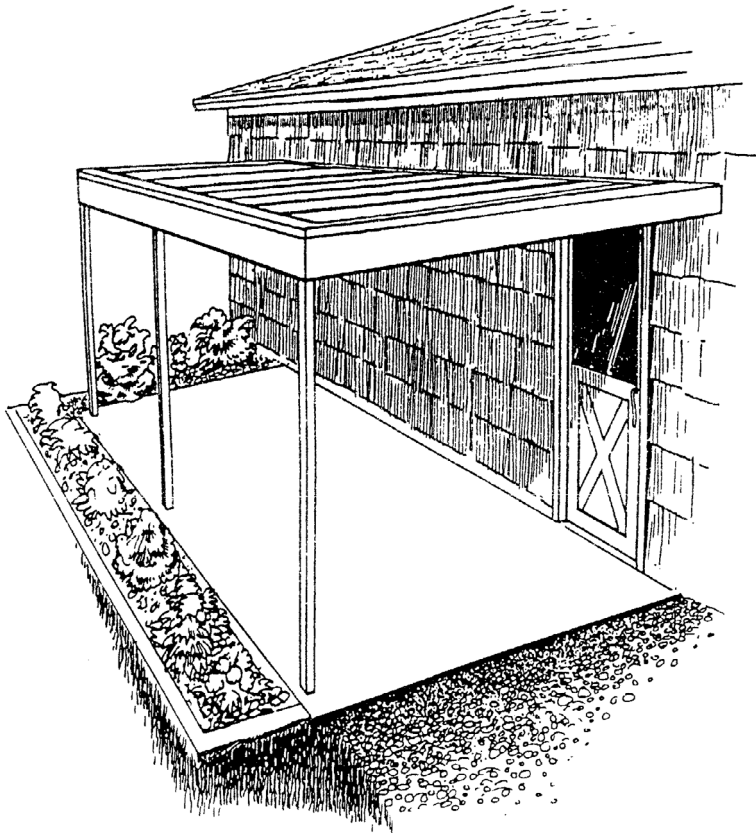
Owner's Manual & Assembly Instructions

DD01a

PATIO COVER/CARPORT

Model No. PC1020□

Attached



Missing Parts, Questions on Assembly?

Call: 1-800-851-1085 or assist@arrow-sheds.com

Do not return to dealer, they are not equipped to handle your requests.

705120919

Storage Area: 197 Sq. Ft. 1692 Cu. Ft.
18,3 m² 47,9 m³



CAUTION: SOME PARTS HAVE SHARP EDGES. CARE MUST BE TAKEN WHEN HANDLING THE VARIOUS PIECES TO AVOID A MISHAP. FOR SAFETY SAKE, PLEASE READ SAFETY INFORMATION PROVIDED IN THIS MANUAL BEFORE BEGINNING CONSTRUCTION. WEAR GLOVES WHEN HANDLING METAL PARTS.

BUILDING DIMENSIONS * Size rounded off to the nearest foot

* Approx. Size	Foundation Size	Exterior Dimensions (Roof Edge to Roof Edge)			Interior Dimensions (Wall to Facia)		
		Width	Depth	Height	Width	Depth	Height
10' x 20'	123" x 219"	120 3/4"	240 1/4"	106 1/2"	119"	238"	102"
3,0 m x 6,0 m	312,4 cm x 632,5 cm	306,7 cm	610,2 cm	270,5 cm	302,3 cm	604,5 cm	259,1 cm

BEFORE YOU BEGIN...

B002

Owner's Manual

Before beginning construction, check local building codes regarding footings, location and other requirements. Study and understand this owner's manual.

Important information and helpful tips will make your construction easier and more enjoyable.

Assembly Instructions: Instructions are supplied in this manual and contain all appropriate information for your model. Review all instructions before you begin, and during assembly, follow the step sequence carefully for successful results.

Foundation and Anchoring: Your patio cover/carport must be anchored to prevent wind damage. A foundation is also necessary as a base in order to construct a square and level unit. Anchoring and foundation materials are not included with your unit. Your assembly instructions provide information on a few methods commonly used to secure and level a patio cover/carport.

Parts and Parts List: Check to be sure that you have all the necessary parts for your unit.

- All part numbers can be found on the parts. All of these numbers (before the -) must agree with the numbers on the parts list.

- If you find that a part is missing, include the model number of your patio cover/carport and contact:

Arrow Shed, LLC Customer Service Department

1101 North 4th Street Breese, Illinois 62230

1-800-851-1085 or assist@arrowsheds.com

- Separate contents of the carton by the part number while reviewing parts list.

- Familiarize yourself with the hardware and fasteners for easier use during construction. These are packaged within the carton. Note that extra fasteners have been supplied for your convenience.

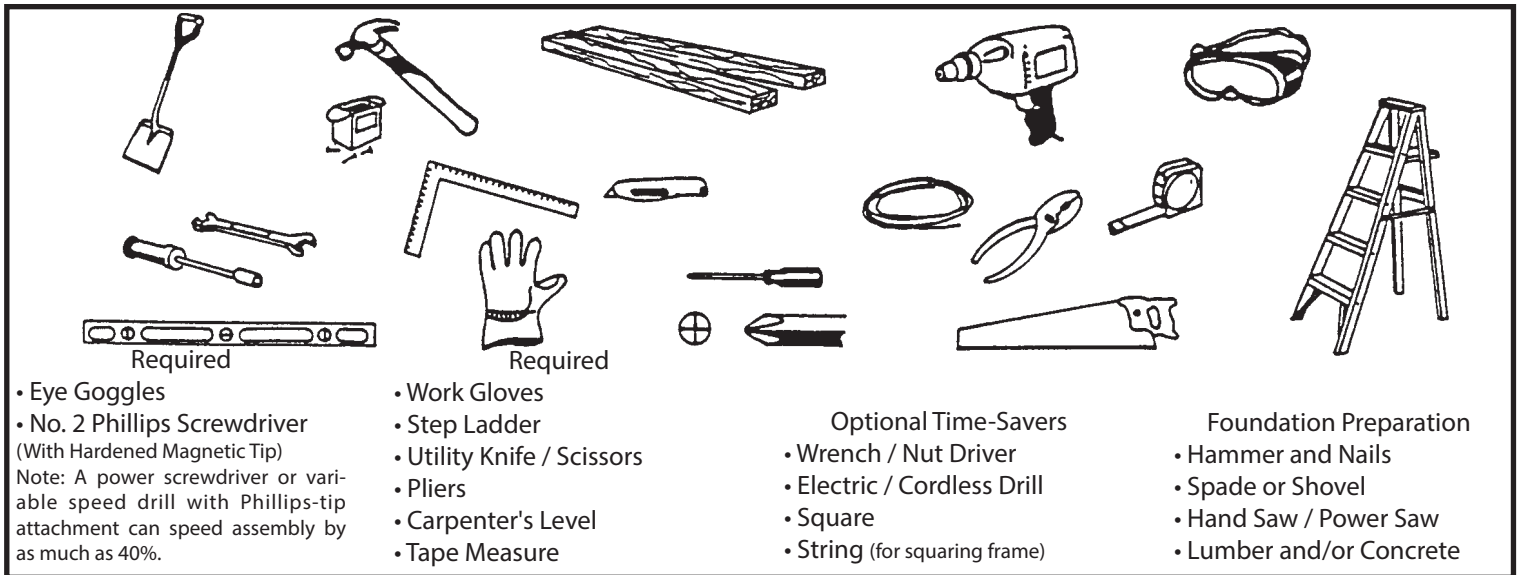
PLAN AHEAD....

BO03

Watch the Weather: Be sure the day you select to install your unit is dry and calm. Do not attempt to assemble your unit on a windy day. Be careful on wet or muddy ground.

Teamwork: Two or more people should work together to assemble your unit. One person can position parts or panels while the other is able to handle the fasteners and the tools.

Tools and Materials: These are some basic tools and materials you will need for the construction of your unit. Decide which method of anchoring and the type of foundation you wish to use in order to form a complete list of the materials you will need.



Selecting and Preparing Your Site: Before assembly, you will want to decide on a location for your unit. The best location is a level area with good drainage.

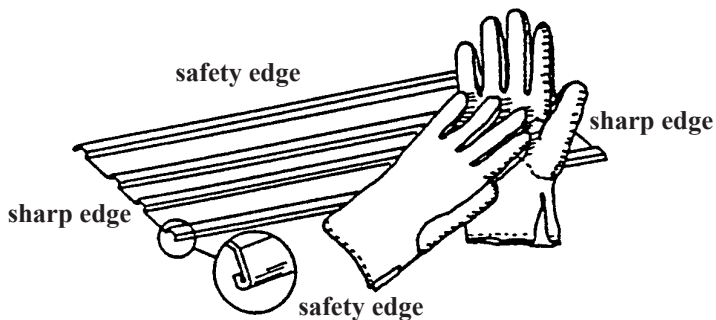
- Allow enough working space for ease of moving parts into position during assembly.
- Before you begin the first steps in assembling your parts, a foundation should be constructed and an anchoring system should be ready to use.

SAFETY FIRST...

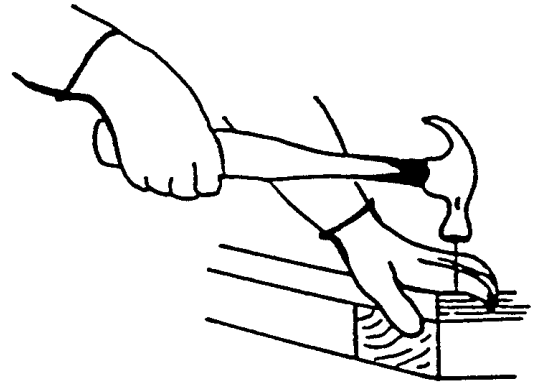
B004

Safety precautions are important to follow throughout the construction of your patio cover/carport

•Care must be taken when handling various pieces of your unit since some contain sharp edges. Please wear work gloves, eye protection and long sleeves when assembling or performing any maintenance on your unit.



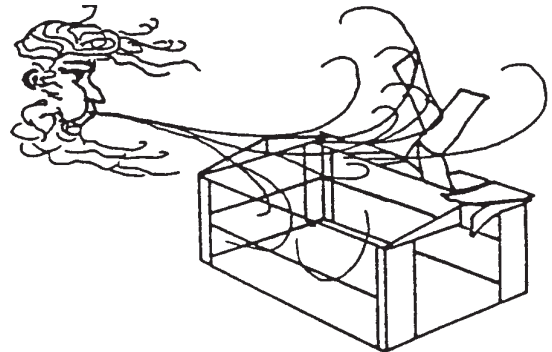
•Practice caution with the tools being used in the assembly of this unit. Be familiar with the operation of all power tools.



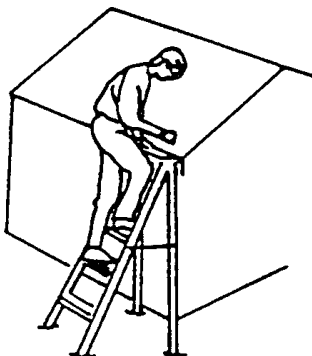
•Keep children and pets away from worksite to avoid distractions and any accidents which may occur.



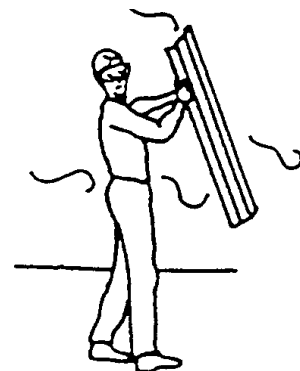
•Do not attempt to assemble the unit if parts are missing because any unit left partially assembled may be seriously damaged by light winds. Call 1-800-851-1085 or assist@arrowsheds.com



•Never concentrate your total weight on the roof of the unit. When using a step ladder make sure that it is fully open and on even ground before climbing on it.



•Do not attempt to assemble the unit on a windy day, because the large panels acting as a "sail", can be whipped about by the wind making construction difficult and unsafe.



CARE & MAINTENANCE....

B005

Finish: For long lasting finish, periodically clean and wax the exterior surface. Touch-up scratches as soon as you notice them on your unit. Immediately clean the area with a wire brush; wash it and apply touch-up paint per manufacturer's recommendation.

Roof: Keep roof clear of leaves and snow with long handled, soft-bristled broom. Heavy amounts of snow on roof can damage unit, making it unsafe.

Fasteners: Regularly check your unit for loose screws, bolts, nuts, etc. and retighten them as necessary.

Other Tips....

- Wash off inked part numbers on coated panels with soap and water.

Keep this Owner's Manual and Assembly Instructions for future reference.

Foundation Recommendations

BL06

The Foundation For Your Patio Cover/Carport

Note: Before beginning construction, check local building codes regarding footings, location and other requirements.

OPTION 1: Concrete Footings

All concrete minimum 2500 P.S.I.

Footing Bearing is based on soil pressures not to exceed 1,000 P.S.F..

Footing Depth to extend to below frost line but not less than 12" (30,5 cm) where new footings are used.

If posts are not anchored to a concrete slab, a footing is needed.

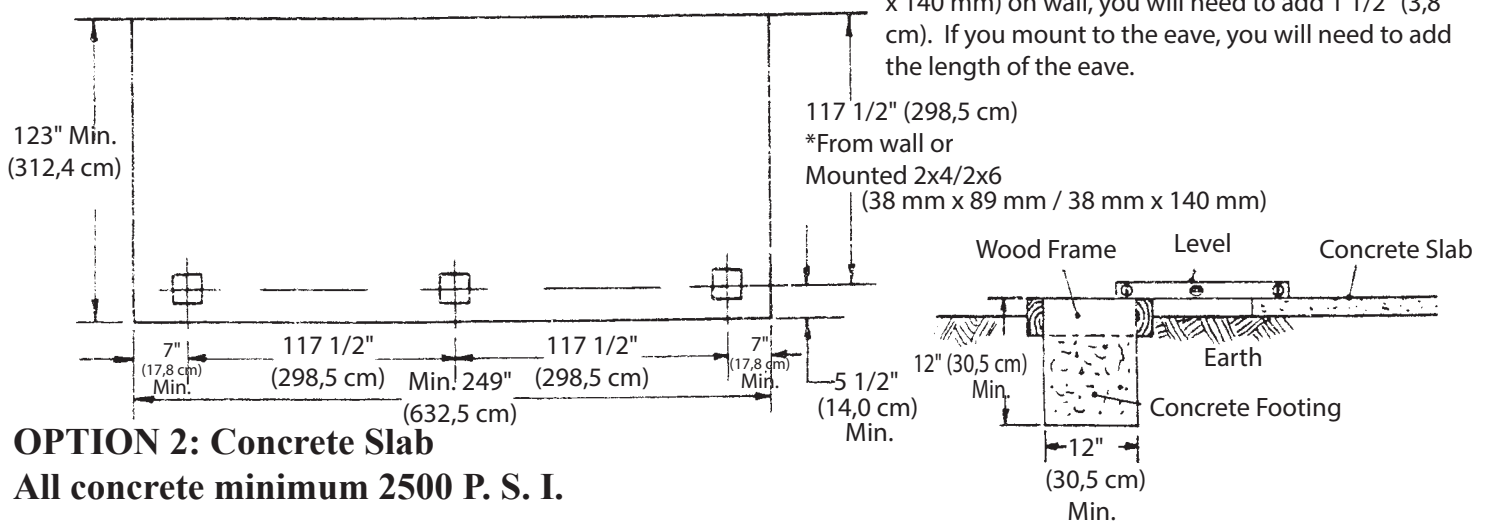
To locate footing, follow diagram below. Dig footing the minimum dimensions shown. Be sure footings are level with each other.

Dimensions may vary depending on your soil conditions, consult local codes for footing requirements.

Using 3/4" (19 mm) thick boards, frame footings. The board height will be the height required to make sure the footings and concrete slab (if used) are level with each other. Pour concrete. Allow concrete to cure 24 hours before proceeding.

Note: The depth of slab, 123" (312,4 cm), will vary depending upon place of attachment for patio cover/carport.

If you mount a 2x4/2x6 (38 mm x 89 mm / 38 mm x 140 mm) on wall, you will need to add 1 1/2" (3,8 cm). If you mount to the eave, you will need to add the length of the eave.



OPTION 2: Concrete Slab

All concrete minimum 2500 P. S. I.

The slab should be at least 4" (10,2 cm) thick. It must be level and flat to provide good support for the posts.

The following are the recommended materials for your foundation.

2 x 4's (38 mm x 89 mm) (will be removed once the concrete cures)

Concrete Sheet of 6 mil plastic 6"x6" (15,2 cm x 15,2 cm) reinforcing mesh sand gravel

Prepare the Site/Construct a Foundation

1. Dig a rectangle, 10" (25,4 cm) deep into the ground (remove grass).

Note: Finished Slab dimensions, with lumber removed.

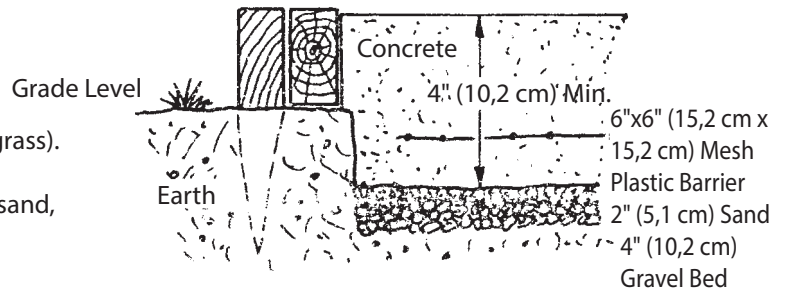
2. Fill up to 4" (10,2 cm) in the square with gravel, 2" (5,1 cm) of sand, and tamp firm.

3. Cover sand with a sheet of 6 mil plastic.

4. Construct a wood frame using 2 x 4 (38 mm x 89 mm) lumber. Make reinforcing stakes.

5. Pour in concrete to fill in the hole and the frame giving a

total of 4" (10,2 cm) thick concrete. Use reinforcing mesh in embedded concrete. Be sure surface is level.



6 Allow 5 - 8 hours for construction, concrete cure 24 hours before proceeding, and a week to harden before driving on.

Hardware

BL07



66623
#10Ax3/8" (10 mm)
Screw (96)



66433
3/8-16 Hex Nut (3)



66625
#10-32x3/4" (19 mm)
Bolt (20)
(Packed with Screws)



66624
#10-32 Well-Nut (20)
(Packed with Screws)



66629
3/8-16x3 1/4" (83 mm)
Hex Hd Bolt (3)



66628
#10-32x7/16" (11 mm)
Bolt (44)
(Packed with Screws)



65106
#10-32 Square Nut (44)
(Packed with Screws)

Parts List

BL08a

Parts in Carton One

Assembly Key No.	Part Number	Part Description	Quantity in Carton	Check List
1	9654-1471	Right Facia	2	
2	9657-1471	Left Facia	2	
3	9664-1471	Top Front Trim	2	
4	9667-1471	Top Left End Trim	1	
5	9668-1471	Top Right End Trim	1	
6	66626	Weather Seal 3/16 x 2" (5 mm x 5,1 cm)	1	
7	66627	Weather Seal 1/2 x 1 1/2" (13 mm x 3,8 cm)	2	
8	9652	Anchor Bracket	3	
9	9656-1471	Roof Channel	4	
10	9665-1471	Channel Brace	2	
11	9669-1471	Front Splice Trim	3	
12	9670-1471	Corner Trim	4	
13	9661-1471	Left Post	1	
14	9671-1471	Center Post	1	
15	9660-1471	Right Post	1	
16	9673-1471	Left Rear Roof Channel	1	
17	9674-1471	Right Rear Roof Channel	1	
18	9655-1471	Top Trim Cap	2	

Parts in Carton Two

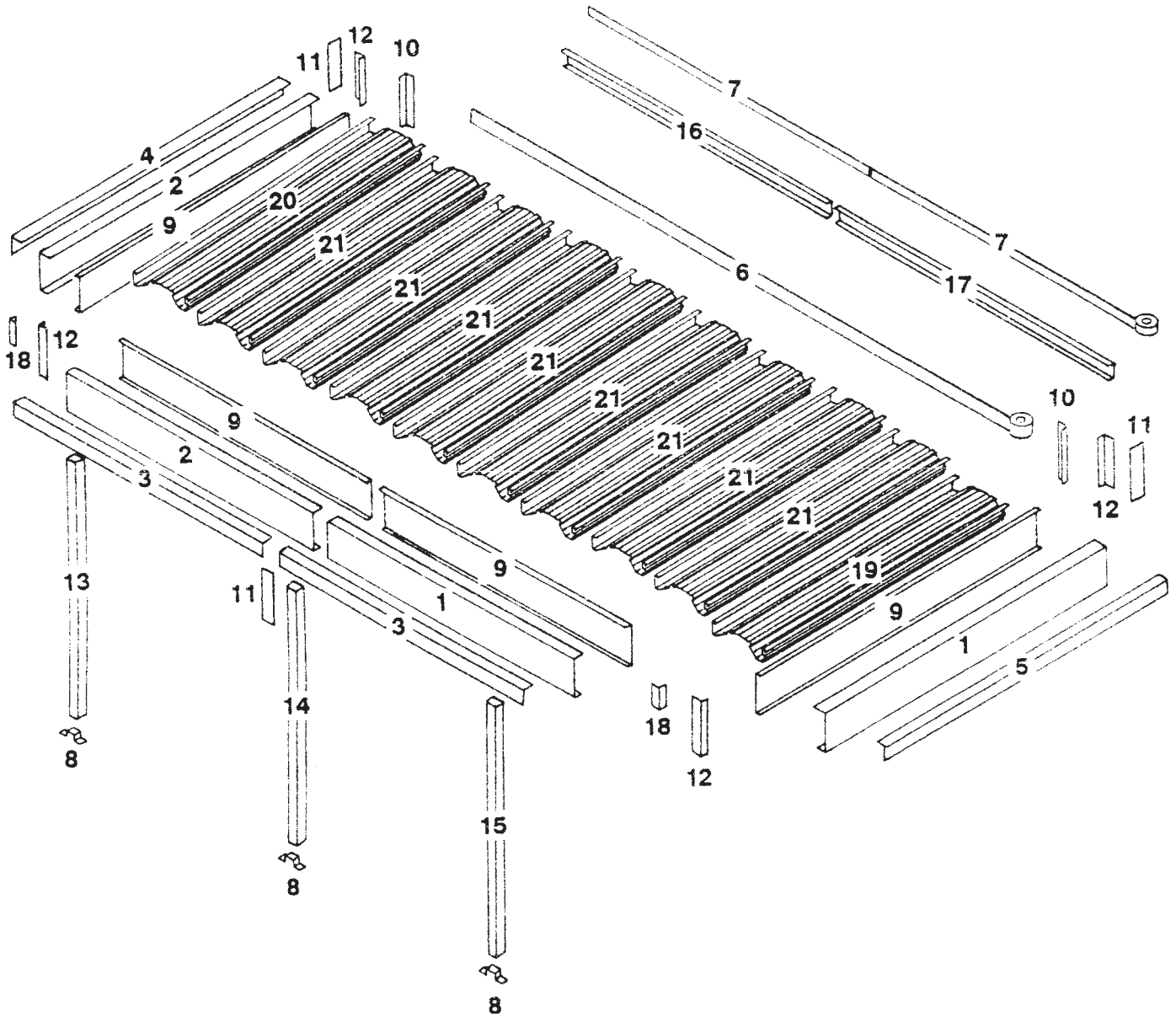
Assembly Key No.	Part Number	Part Description	Quantity in Carton	Check List
19	9662-1471	Right Roof Panel	1	
21	9653-1471	Main Roof Panel	4	

Parts in Carton Three

Assembly Key No.	Part Number	Part Description	Quantity in Carton	Check List
20	9663-1471	Left Roof Panel	1	
21	9653-1471	Main Roof Panel	4	

Assembly by Key No.

BL09



Step 1

BL10a

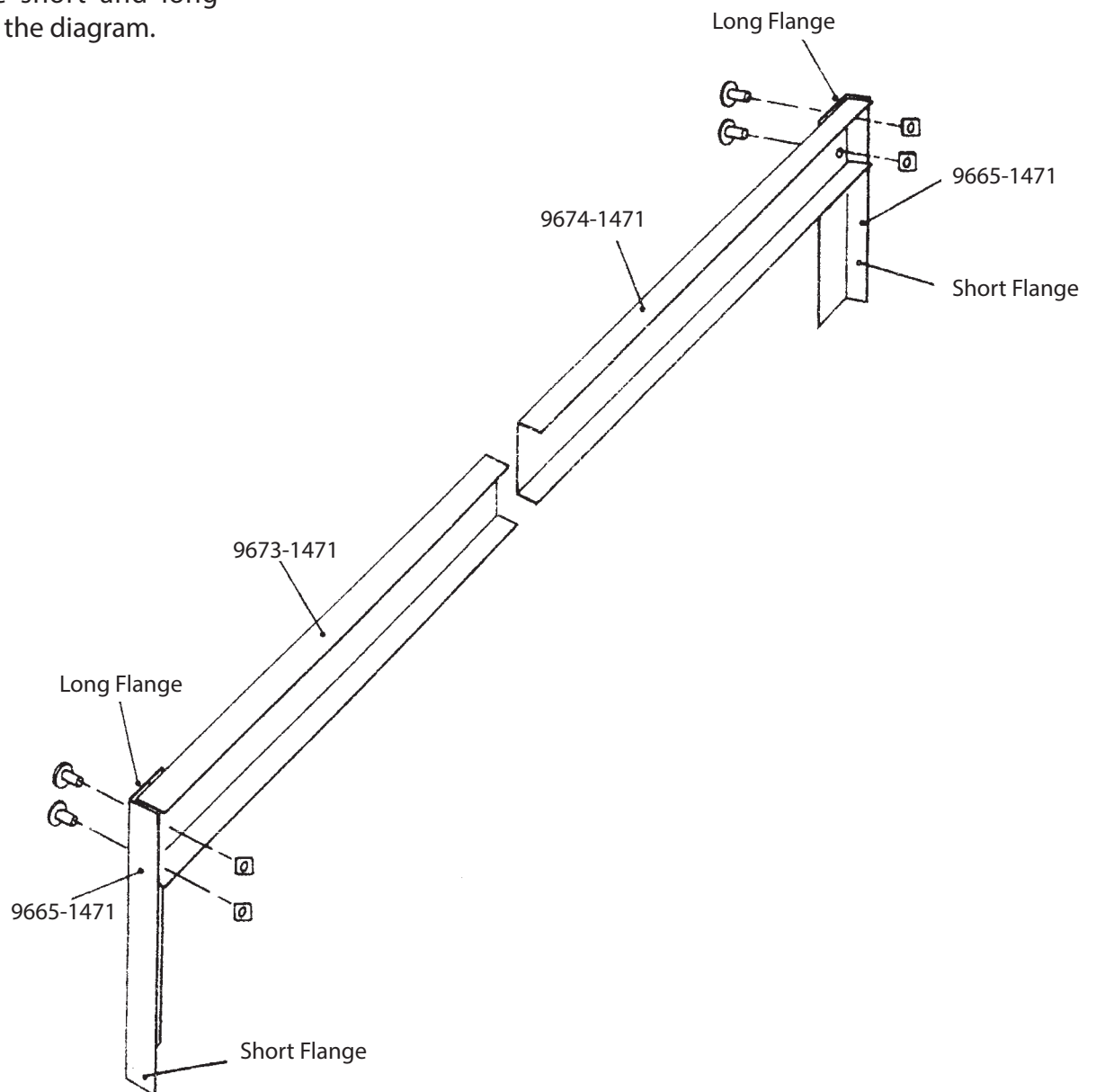
Parts Needed For Rear Roof Channel Pre-Assemblies

9673-1471 Left Rear Roof Channel (one)
9674-1471 Right Rear Roof Channel (one)
9665-1471 Channel Brace (two)

The rear roof channel assemblies attach to the permanent structure and support the unit.

1 Fasten the channel braces to the end of the left & right rear roof channel using four #10-32x7/16" (11 mm) bolts and square nuts.

Hint: Position the short and long flange as shown in the diagram.



Step 2

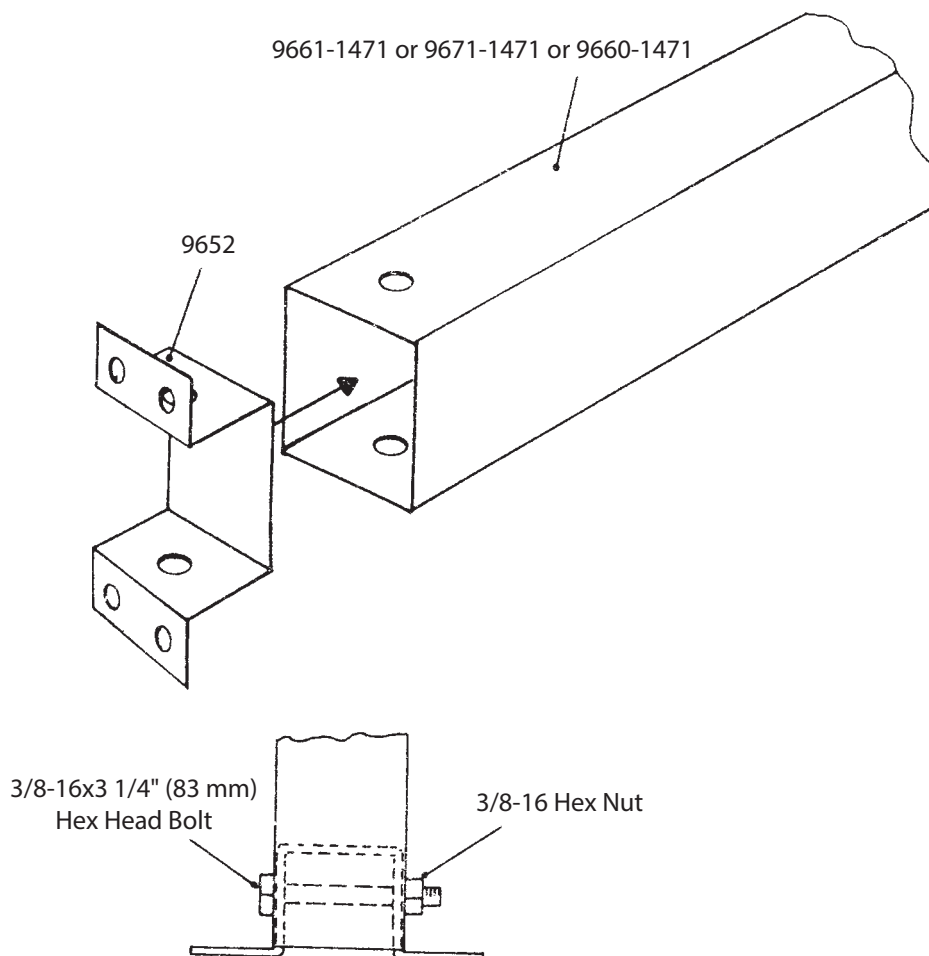
BL11a

Parts Needed For Post Pre-Assemblies

9661-1471 Left Post (one)
9671-1471 Center Post (one)
9660-1471 Right Post (one)
9652 Anchor Bracket (three)

The anchor brackets in this step will be used later to anchor the unit to the base/foundation.

1 Position an anchor bracket inside the left, center & right posts, align holes, and fasten using a 3/8-16 x 3 1/4" (83 mm) hex head bolt and hex nut. Make three assemblies. Do not overtighten.



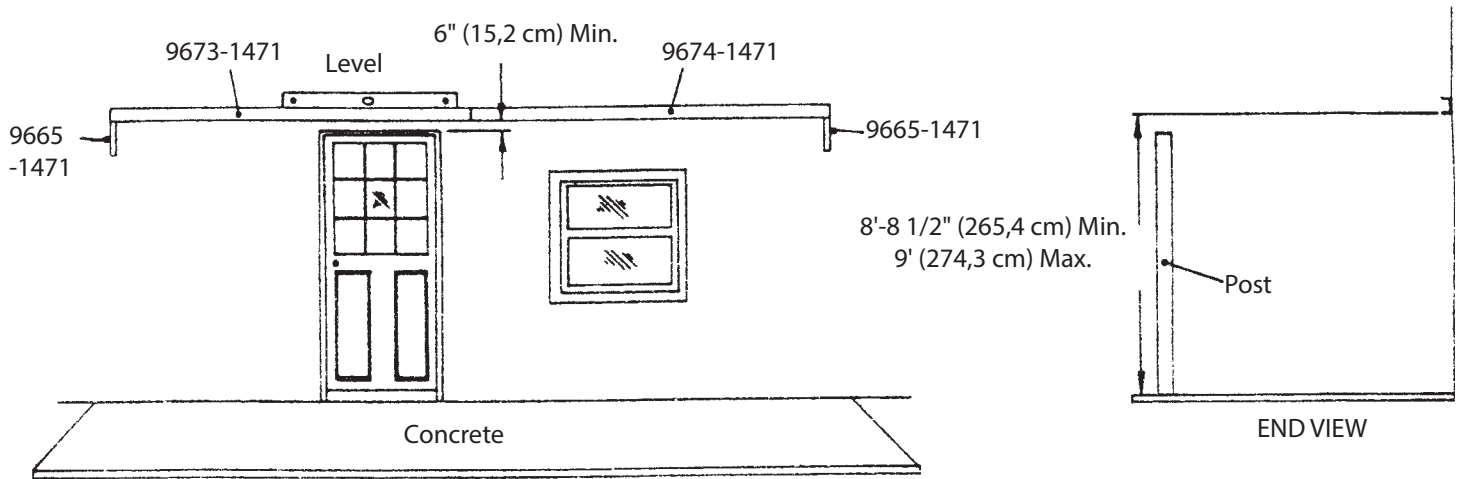
Step 3

BL12a

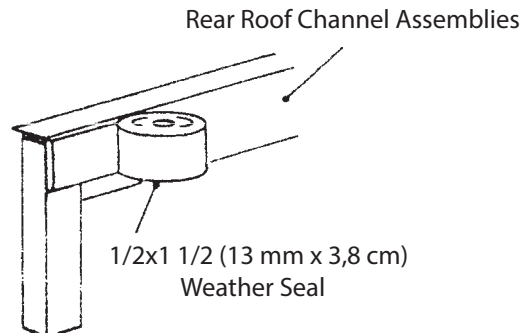
Parts Needed For Mounting Rear Roof Channels to Structure

Rear Roof Channel Assembly (two)
66627 Weather Seal
1/2x 1 1/2 (13 mm x 3,8 cm) (two)

1 Positioning The height from the bottom of post to the bottom of rear roof channel is 8'-8 1/2" (265,4 cm) minimum to 9' (274,3 cm) maximum. For unit installed over a door, in order to maintain door clearance, the minimum height above door is 6" (15,2 cm). If distance is less than 8'-8 1/2" (265,4 cm), bottom of posts will have to be trimmed (with hacksaw) in order to obtain 2 1/2" (6,4 cm) slope. If this is necessary, drill two new holes in post and re-attach anchor. For installation where a door is not involved, do not block windows with rear roof channels. Once dimensions are established, level rear roof channels and mark structure.



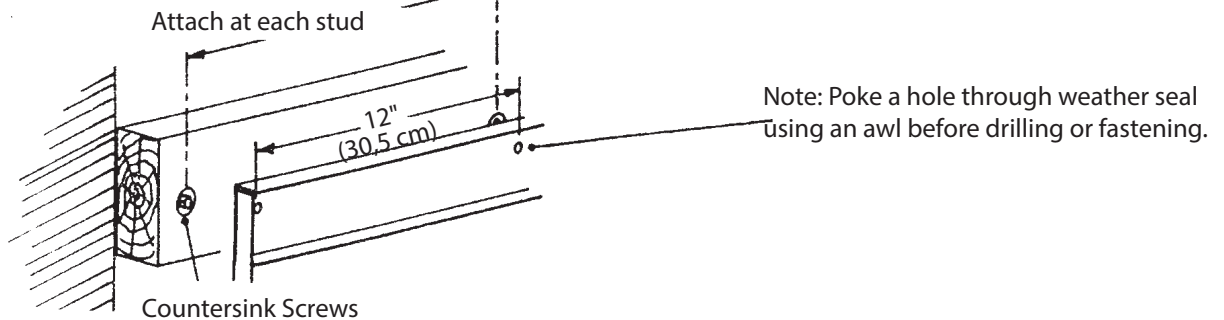
2 Channel Weather Stripping Attach weather stripping 1/2x 1 1/2 (13 mm x 3,8 cm) to one end, on the outside of rear roof channel. Making sure weather stripping is flush with top flange of rear roof channel, continue to stick weather stripping to rear roof channels. Peel paper backing.



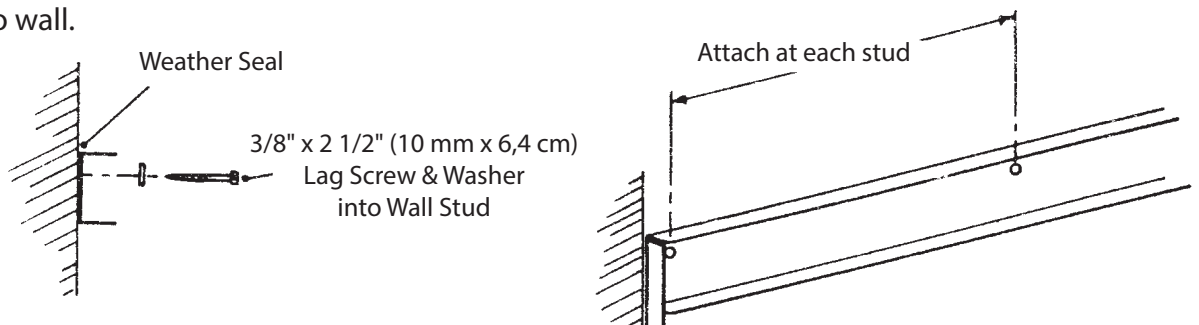
Step 3 continued....

BL13

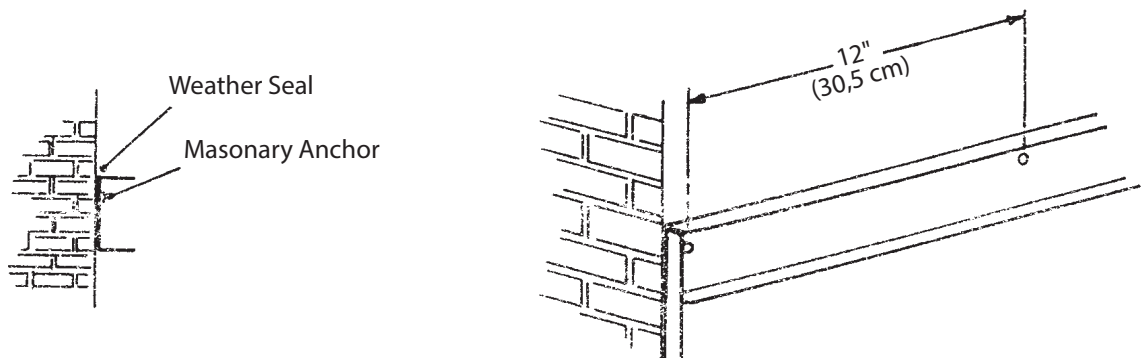
3 Attaching It is important that the rear roof channels be securely anchored to a sound and flat mounting surface. A special mounting board (2x4,2x6)x19' 10" (38 mm x 89 mm, 38 mm x 140 mm) x 604,5 cm can be used if existing surface is questionable or on mobile homes. The mounting board should be attached with wood screws drilled into the wall studs on frame construction. Masonry anchors should be used on brick or masonry installations. Also on frame construction, if stud or rafter spacing is greater than 16" (40,6 cm) on center, use the mounting board. Countersink all fasteners.



Option 1 Attachment to Stud or Rafter Locate studs or rafters in mounting wall. With rear roof channel level on wall, drill a 3/16" (5 mm) hole, 1" (2,5 cm) from top flange, through rear roof channel's web and wall at every stud or rafter. Make sure there is a hole on each end of channel. Remove rear roof channel from wall and enlarge holes in rear roof channel with a 7/16" drill bit. This hole will enable the fastener to pass through the rear roof channel. Align holes in wall with holes in rear roof channel. Attach rear roof channel to wall with 3/8"x2 1/2" (10 mm x 6,4 cm) screws and washers, provided your local code permits the use of this screw. Note: If a special mounting board was used, holes are provided in rear roof channel for attaching to wall.



Option 2 Attachment to Brick or Masonry Use masonry fasteners (purchased locally) 12" (30,5 cm) on center. Level rear roof channel on wall, using holes in rear roof channel as a guide, drill holes in wall at the center and each end of channel with proper size masonry bit (do not drill holes in mortar joints). Attach rear roof channel to wall with masonry anchors. Repeat procedure for remaining holes in rear roof channel. Note: If a special mounting board was used, holes are provided in rear roof channel for attaching to wall.



Step 4

BL14a

Parts Needed For Roof Channel Assembly

9656-1471 Roof Channel (four)
Post Assemblies (three)

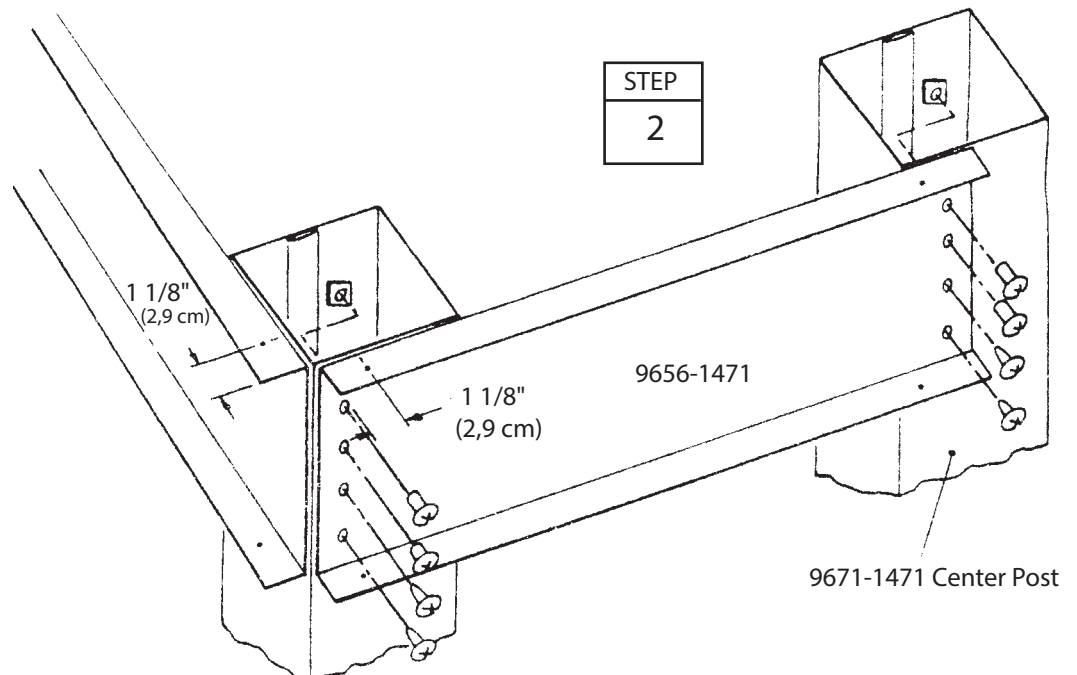
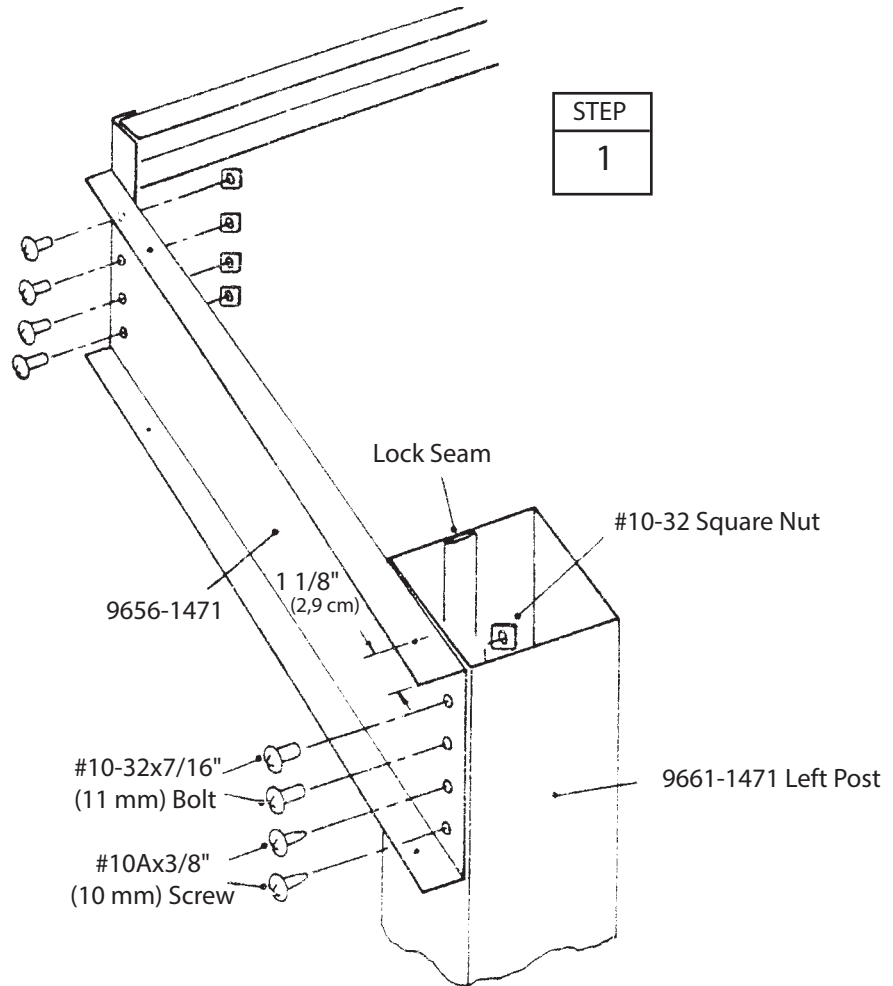
Get help holding post in place while attaching the roof channel.

1 Position a roof channel, with small hole 1 1/8" (2,9 cm) from end at left post, and fasten to channel brace using four #10-32x 7/16" (11 mm) bolts and square nuts. Fasten other end to the top end of the left post, noting location of lock seam, using two #10-32x7/16" (11 mm) bolts and square nuts, and two #10Ax3/8" (10 mm) screws.

2 Fasten a roof channel, with small hole 1 1/8" (2,9 cm) from end, to the front of left post, using the same fasteners, with opposite end overlapping center post by 1 1/2" (3,8 cm), fasten as before. Brace center of unit with 2x4's (38 mm x 89 mm) as shown.

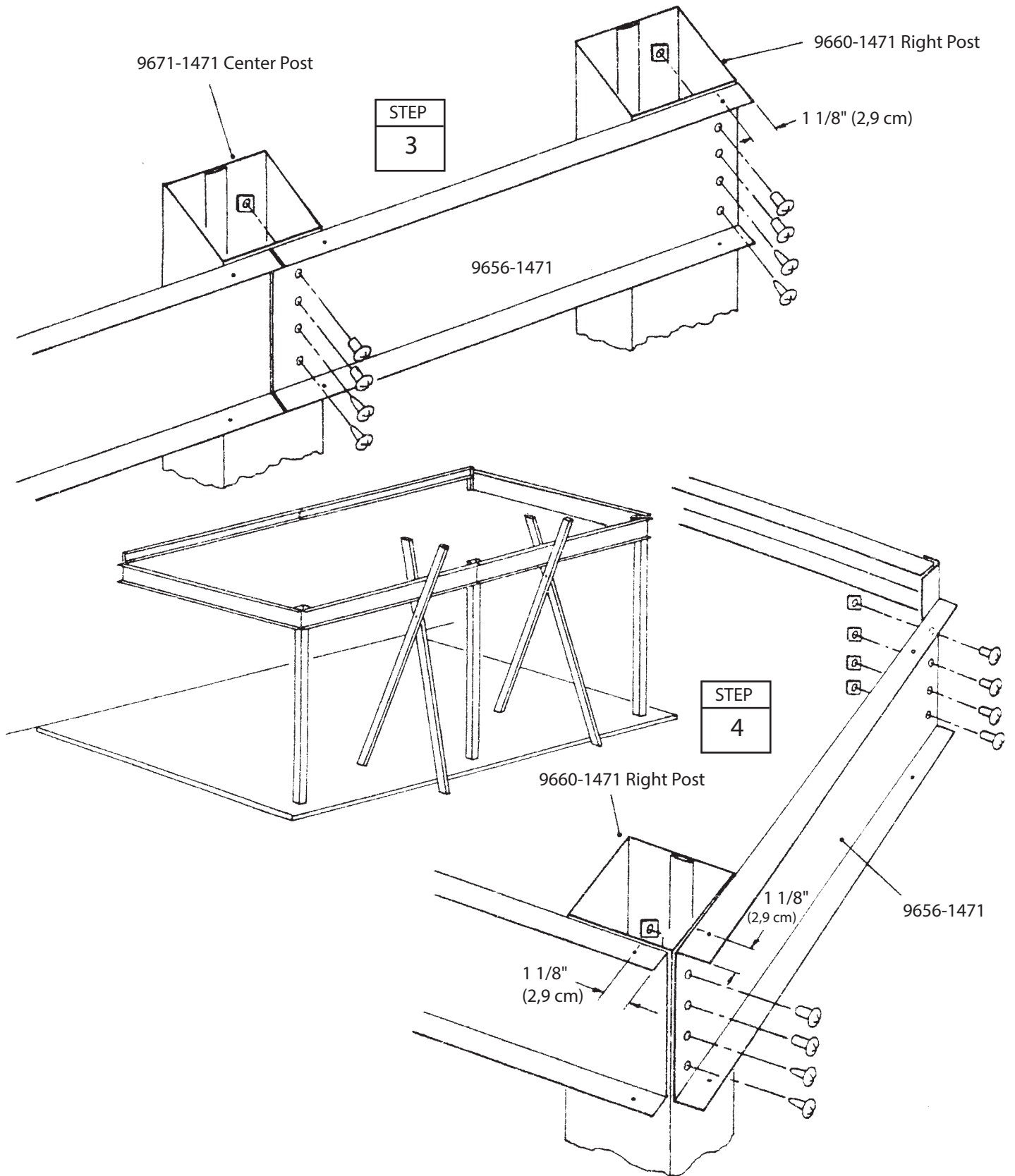
3 Repeat procedure with next roof channel, to center and right post.

4 Repeat procedure with next roof channel, as done in Step 1 to right post and channel brace.



Step 4 continued...

BL15a



Step 5

BL16a

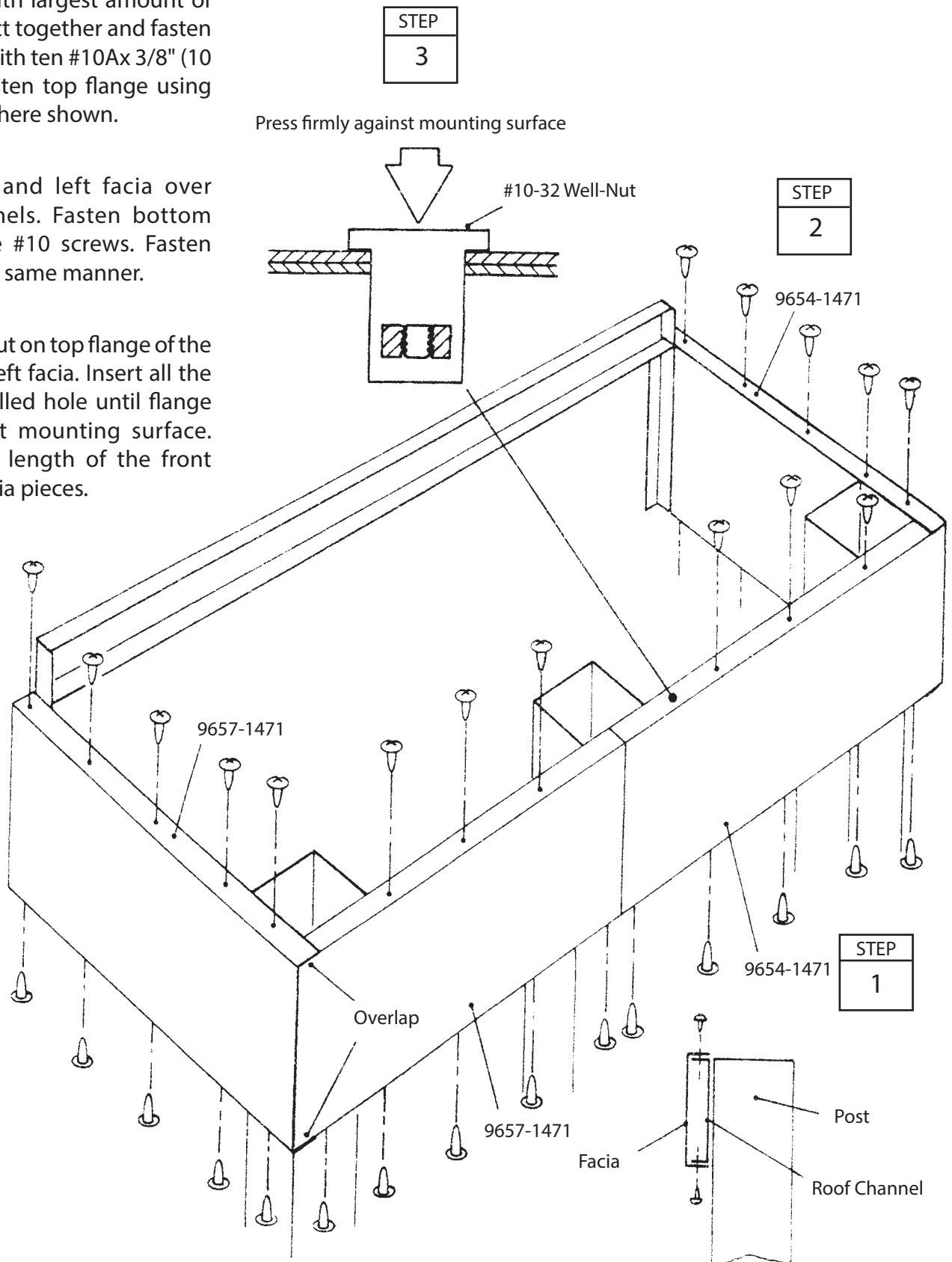
Parts Needed For Facia Assembly

9654-1471 Right Facia (two)
9657-1471 Left Facia (two)

1 Place right and left facia over front roof channels with largest amount of holes on top. Butt together and fasten bottom flange with ten #10Ax 3/8" (10 mm) screws. Fasten top flange using six #10 screws where shown.

2 Place right and left facia over end roof channels. Fasten bottom flange with five #10 screws. Fasten top flange in the same manner.

3 Place a well-nut on top flange of the front right and left facia. Insert all the way into pre-drilled hole until flange is firmly against mounting surface. Continue along length of the front right and left facia pieces.



Step 6

BL17a

Parts Needed For Corner/Front Splice Trim

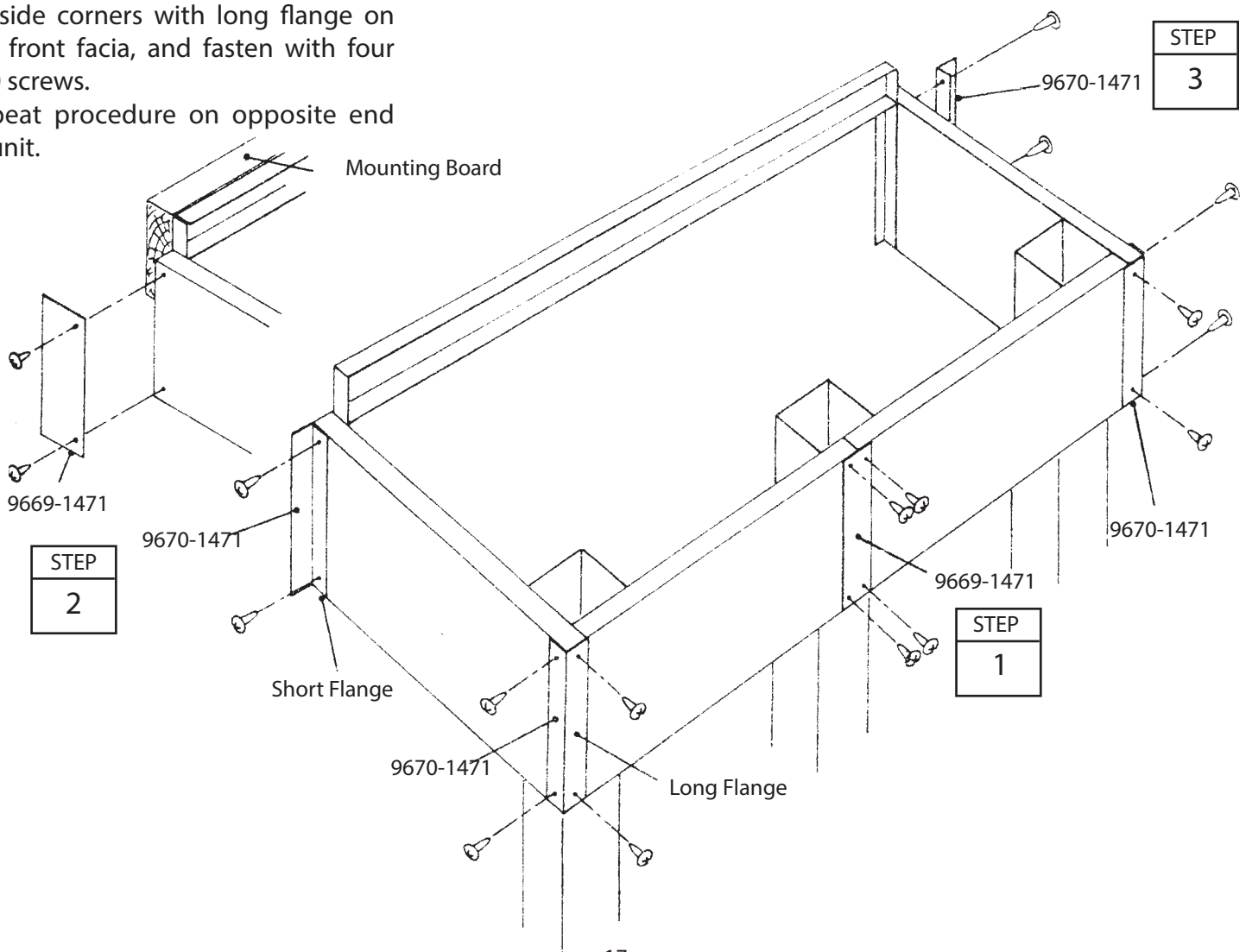
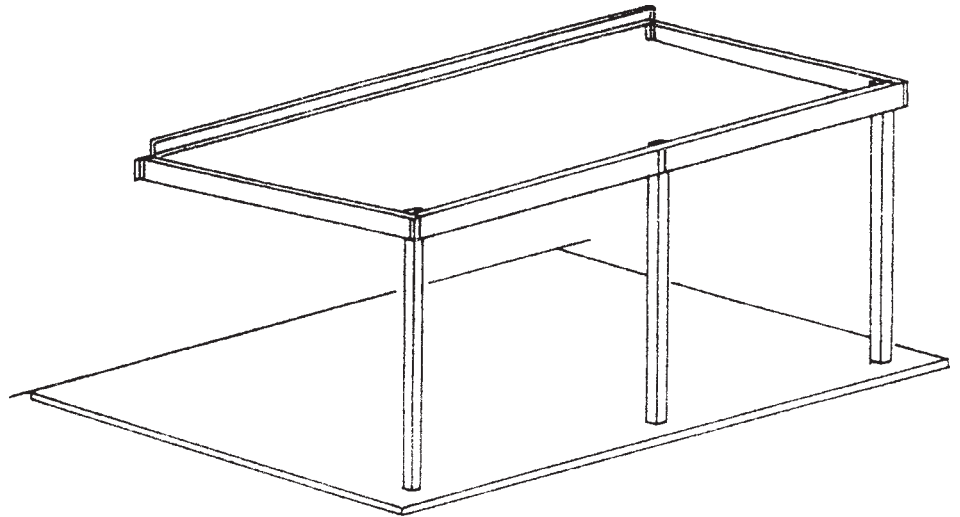
9670-1471 Corner Trim (four)
9669-1471 Front Splice Trim (three)

1 Fasten front splice trim to the seam where front facia meets with four #10 screws.

2 If a special mounting board was used, use remaining front splice trim pieces to cover ends of board, instead of corner trim. Fasten using two #10 screws.

3 Position corner trim to inside corners with short flange to facia and fasten with two #10x3/8" (10 mm) screws. Position corner trim to outside corners with long flange on the front facia, and fasten with four #10 screws.

Repeat procedure on opposite end of unit.



Step 7

BL18a

Parts Needed For Roof Assembly

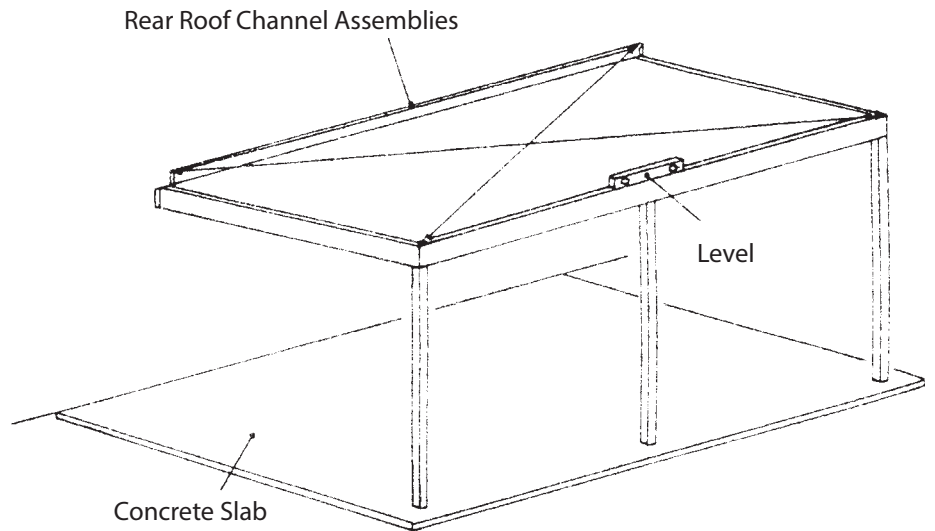
9662-1471 Right Roof Panel (one)
9653-1471 Main Roof Panel (eight)
9663-1471 Left Roof Panel (one)
66626 Weather Seal
3/16 x 2 (5 mm x 5,1 cm) (one)

1 Attach weather stripping 3/16x2 (5 mm x 5,1 cm) to one end, on the inside of rear roof channels. Continue to stick weather stripping to rear roof channels. Peel paper backing.

2 Fasten top of right roof panel using two #10-32x7/16" (11 mm) bolts and square nuts into bottom flange, on rear roof channel. Fasten bottom of panel using two #10-32x3/4" (19 mm) bolts into front fascia. Pass bolt through panel and tighten until snug. Do not over-tighten.

To square unit, measure diagonally. Make sure both diagonal measurements are the same. These measurements are taken from opposite ends of fascia and rear wall channel. Measure from the top outside edge of fascia to the top outside edge of the rear wall channel. If diagonal dimensions are not the same, adjust assembled fascia section left to right until the diagonals are equal.

Diagonal Measurement



IMPORTANT

2x4's (38 mm x 89 mm) centered under roof panel will help you align the holes

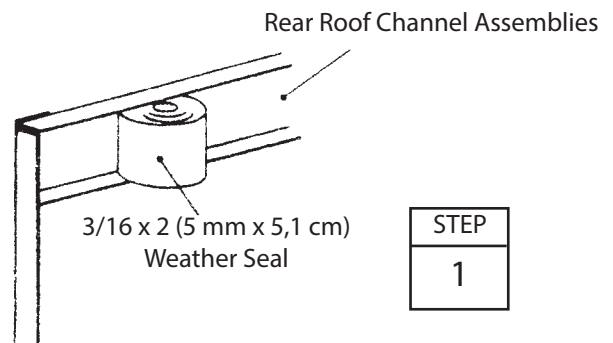
3 Lock a main roof panel and right roof panel together and slide into the rear roof channel. We recommend that the two mating edges are lubricated with a liquid detergent when sliding into the channel. Use a 2x4 (38 mm x 89 mm) and hammer to lightly tap roof panels into place. Be sure entire rib on roof panels are interlocked together.

4 Fasten top and bottom of panel in the same manner. Fasten overlapping ribs to rear roof channel using a #10Ax3/8" (10 mm) screw.

5 Continue installing the remaining seven main and the left roof panel as before.

NOTE

Leave out outer rib screw for trim piece in the next assembly step on the right and left roof panel

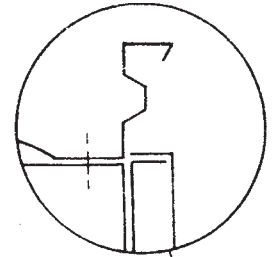


Step 7 continued...

BO19a

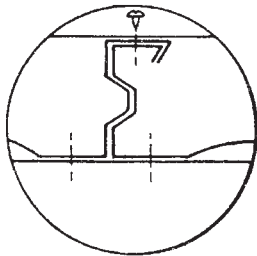
Do not fasten until next step

END VIEW



2x4
(38 mm x 89 mm)

END VIEW



Fasten Overlapped Ribs

STEP
2

9662-1471

2x4
(38 mm x 89 mm)

#10-32 Square Nut
#10x3/8" (10 mm) Screw

2x4
(38 mm x 89 mm)

#10-32x7/16"
(11 mm) Bolt

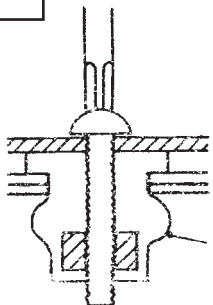
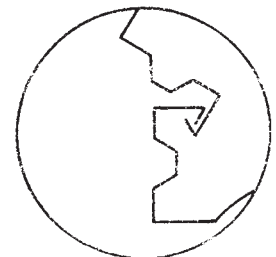
STEP
5

9653-1471
STEP
4

#10-32x3/4"
(19 mm) Bolt

2x4
(38 mm x 89 mm)

END VIEW



#10-32 Well-Nut

STEP
3

Interlock Ribs

Step 8

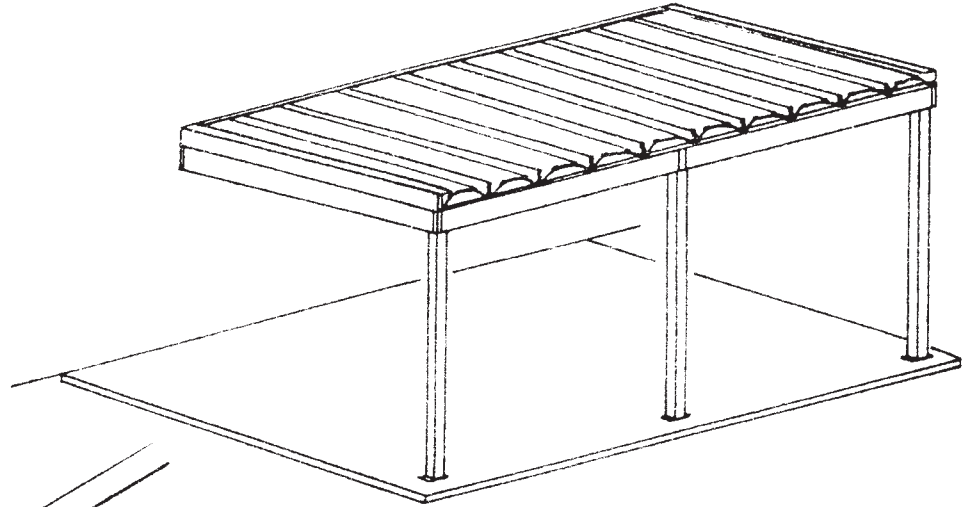
BL20a

Parts Needed For Top Left and Right End Trim

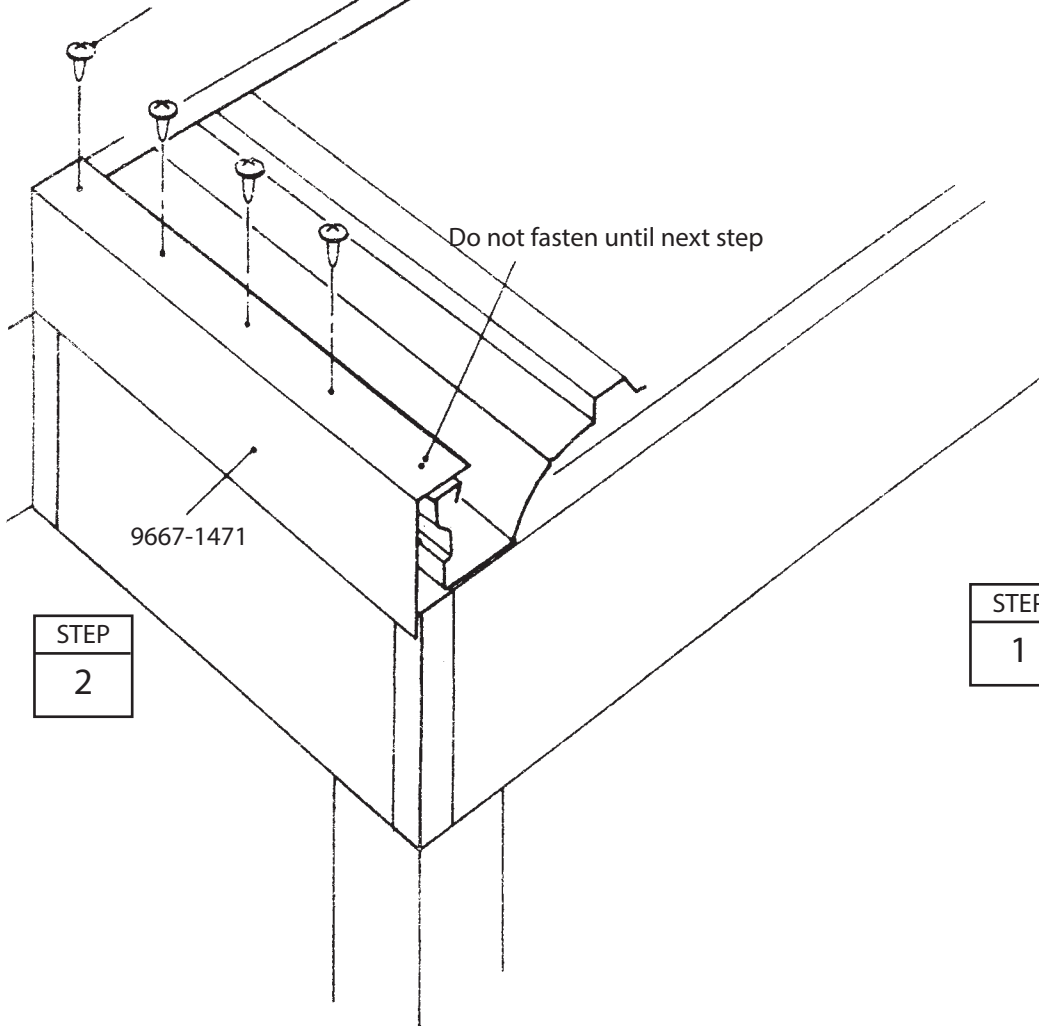
9667-1471 Top Left End Trim (one)
9668-1471 Top Right End Trim (one)

1 Fasten top right end trim to the outer right roof panel rib using four #10A \times 3/8" (10 mm) screws. Do not fasten the bottom hole until the next step.

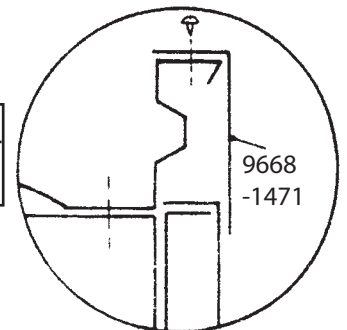
2 Repeat procedure for the top left end trim on the outer left roof panel rib.



#10A \times 3/8" (10 mm) Screw



STEP
1



END
VIEW

Step 9

BL21a

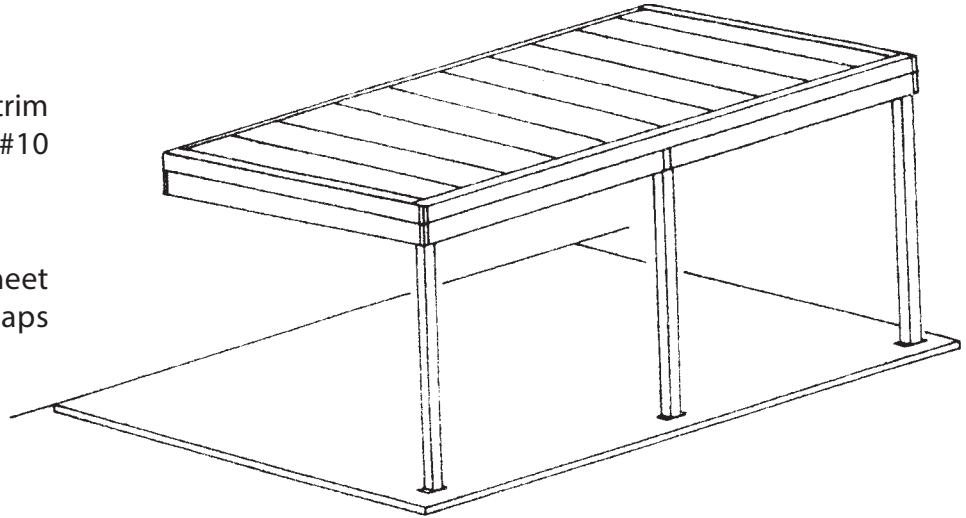
Parts Needed For Top Front Trim

9664-1471 Top Front Trim (two)
9655-1471 Top Trim Cap (two)

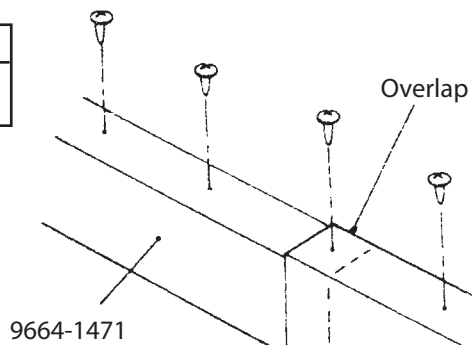
1 Position top front trim to ends of roof panels, overlapping top left end trim and fasten using five #10 screws.

2 Overlap with next top front trim and fasten together using six #10 screws along length.

3 Cover seams where trims meet at the corners with top trim caps using four screws.



STEP
1



STEP
2

#10x3/8" (10 mm) Screw

9664-1471

9664-1471

9655-1471

#10x3/8" (10 mm)
Screw

STEP
3

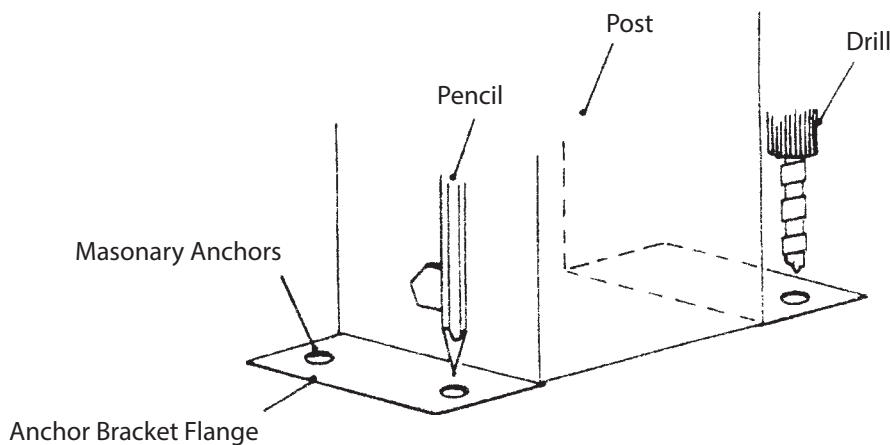
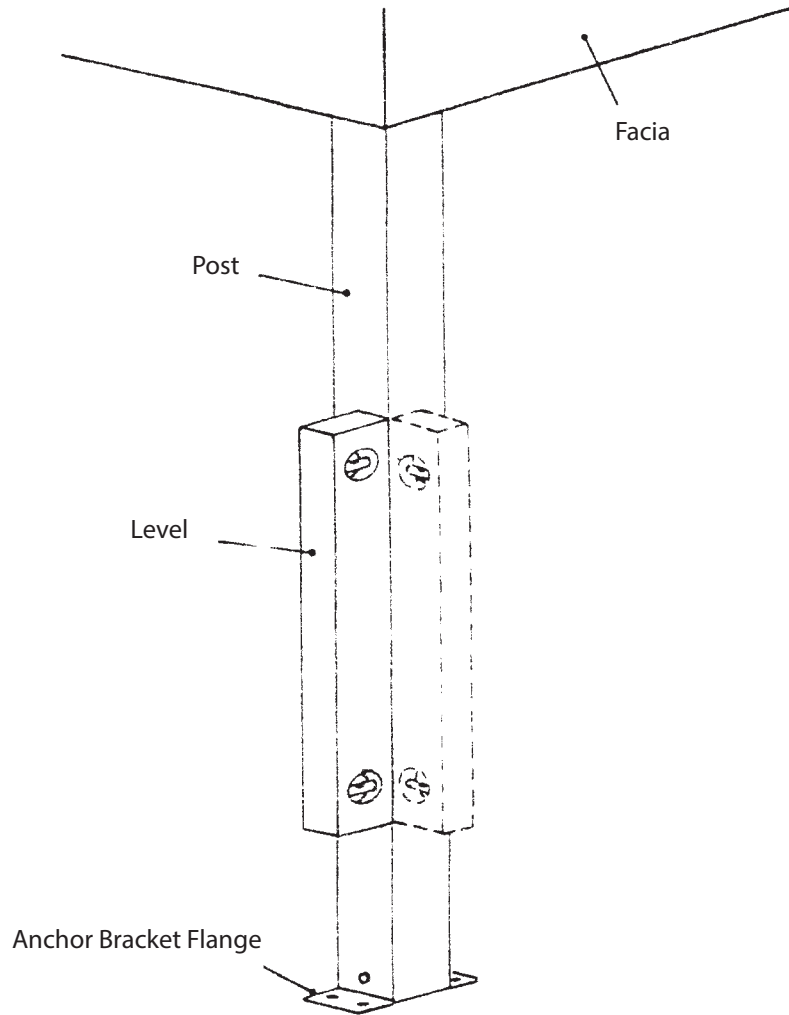
Step 10 Leveling and Anchoring Posts

BO22

Check to be sure front fascia and rear roof channel are still square. Level each post. Stand at one end and visually check the alignment of the post. Once all posts are aligned, mark fastener location using holes in bottom flanges of anchor bracket as a guide.

Masonry Using a masonry bit, drill holes to fit masonry fasteners (not provided). Attach bottom flanges of anchor bracket to slab or footing, using instructions packed with masonry fasteners.

Deck Using a wood bit, drill holes to fit wood fasteners (not provided). Attach bottom flanges of anchor bracket to deck, using instructions packed with wood fasteners.



Suggested Guttering System (not included)

BL23

If the locality where you have installed the patio cover/carport could benefit from a guttering system, we recommend the following list of materials, (not included).

- Two 10' (304,8 cm) gutters with splice
- or
- One 20' (609,6 cm) gutter
- One downspout
- One outlet
- One right & One left end cap
- Sealant
- Nine hidden hangers
- with nine 1 1/2" (38 mm) bolts and nuts
- Three standard elbows
- Two bands
- with four sheet metal screws

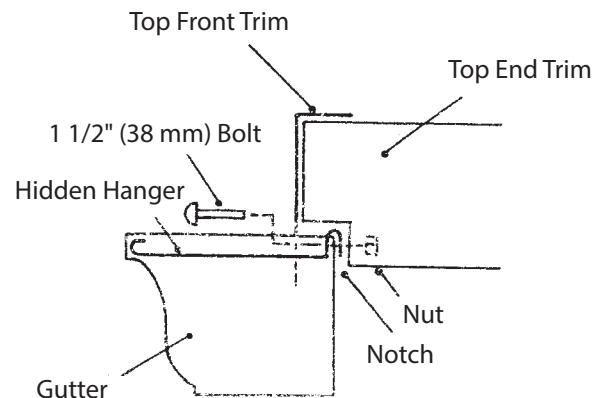
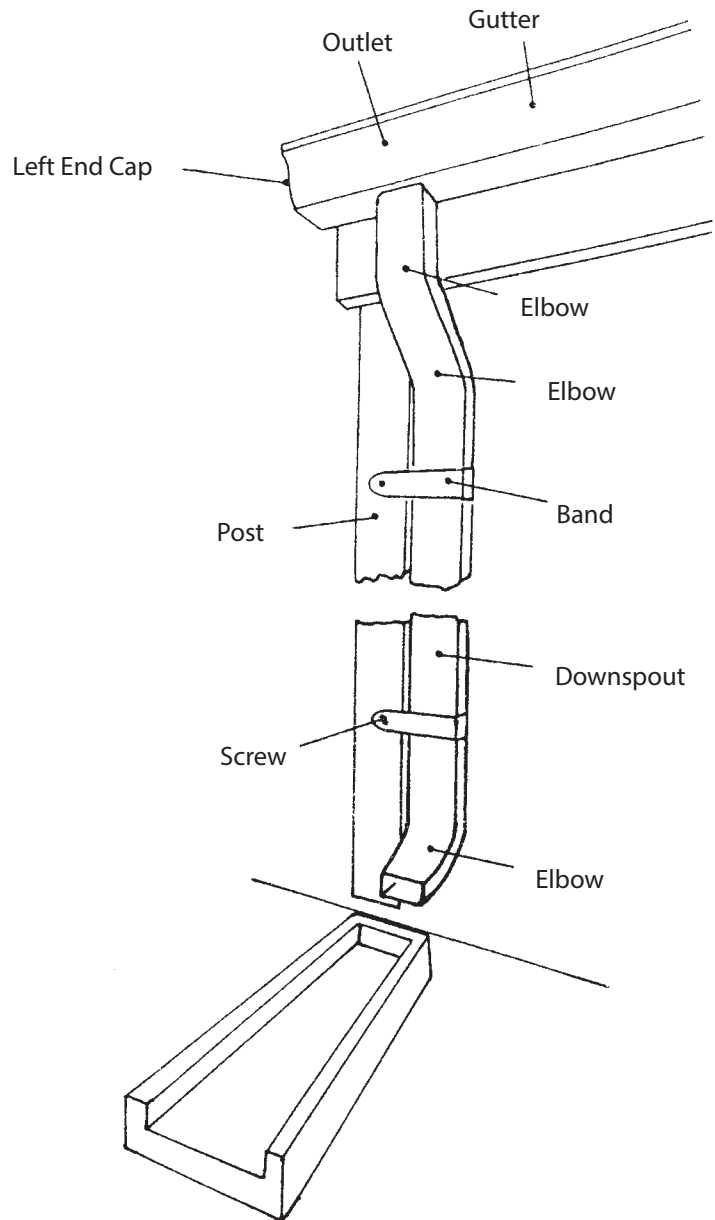
1 Assemble the gutter on the ground using sealant.

2 Temporarily remove top front trim, lift assembly to unit and mark top left and right end trim where gutter meets trim. Remove gutter system and notch (using tin snips) top L&R end trim so gutter fits flush along front of unit.

3 Evenly space out five hidden hangers in gutter, making sure one is in the outlet. Attach gutter assembly to front fascia/ front roof channel using five 1 1/2" (38 mm) bolts and nuts through hidden hangers. Replace top front trim.

4 Assemble the downspout on the ground.

5 Hold in place on outlet. Attach to post with two bands. Drill 3/32" (2 mm) holes and fasten with sheet metal screws.



PC1020 □

DD24a

SOME FACTS ABOUT RUST

Rusting is a natural oxidizing process that occurs when bare metal is exposed to moisture. Problem areas include screw holes, unfinished edges, or where scrapes and nicks occur in the protective coating through normal assembly, handling and use. Identifying these natural rusting problem areas and taking some simple rust protection precautions can help to stop rust from developing, or stop it quickly as soon as it appears.

1. Avoid nicking or scraping the coating surface, inside and out.
2. Keep roof and post perimeter free of debris and leaves which may accumulate and retain moisture. These can do double damage since they give off acid as they decay.
3. Touch up scrapes or nicks and any area of visible rust as soon as possible. Make sure the surface is free of moisture, oils, dirt or grime and then apply an even film of high quality touch-up paint.