
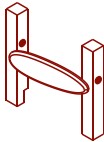









CHANGES IN ATTITUDE COFFEE TABLE

OWNER'S MANUAL

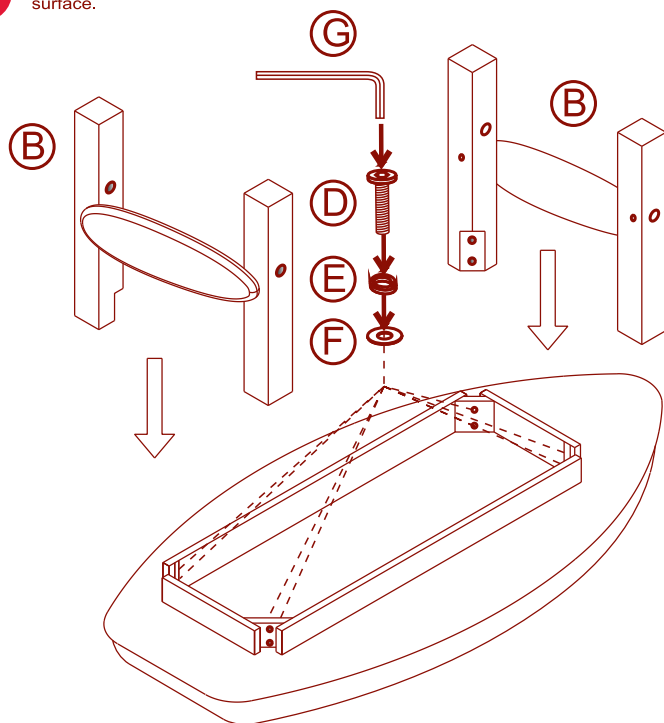
PARTS LIST

Part Number	Description	Quantity	Photo
A	Table Top	1	
B	Table Leg	2	
C	Arrow Sign	2	
D	1/4 x 2" Bolt	12	

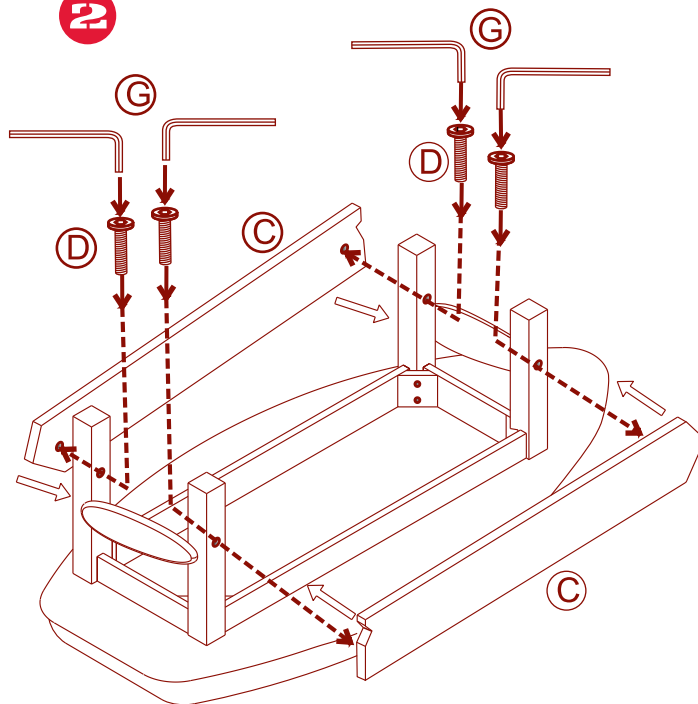
Part Number	Description	Quantity	Photo
E	1/4" Lock Washer	8	
F	Washer	8	
G	Hex Bolt Driver	1	

ASSEMBLY INSTRUCTIONS

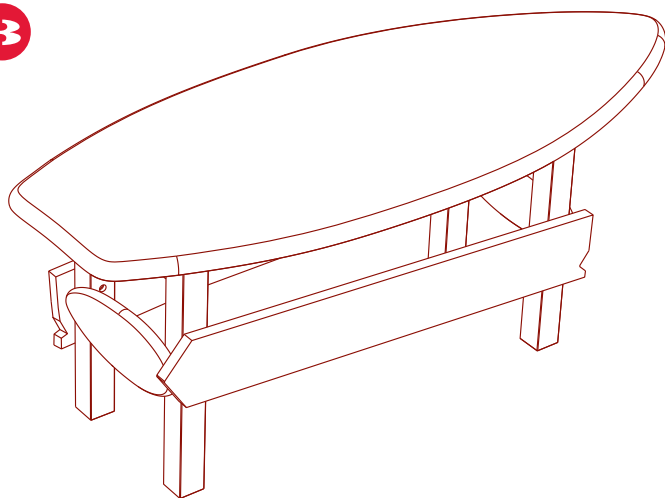
- 1** Assembly should be done on a clean soft surface.



- 2**



- 3**



Care and Maintenance

This Table has been hand-crafted by artisans and is suitable for the outdoors and will provide you with years of good service by following these simple guidelines:

- When cleaning your furniture, use a sponge with only soap and water. Pat dry when complete. Do not use detergents. Spray cleaners often contain ammonia and will weaken the paint.
- Direct sunlight for prolonged periods of time can cause natural discoloration and weathering. Like any outdoor furniture, it is a good idea to store this product inside and/or cover during cold winters. Avoid prolonged periods of excessive moisture in high humidity areas.
- Occasionally, or at least annually, check the bolts to be sure they are tight, re-tighten if necessary. Do not over tighten screws.
- Some consumers choose to apply a yearly coat of polyurethane. This is not necessary, but just like any wood product it can serve to further preserve your table. If you choose to do so, the following products are recommended: Minwax® Helmsman® Spar Urethane clear, semi-gloss. It can be found at most Sherwin Williams stores.

Missing a part? Call our **TOLL FREE NUMBER 1-800-PARTS-90.**

Usually we can send out a **FREE** replacement part within 72 hours. There is no charge for the missing parts.
Office Hours: 8:00 am to 5:00 pm EST. RIO Brands • 10981 Decatur Rd. • Phila, PA 19154 • www.riobrand.com