

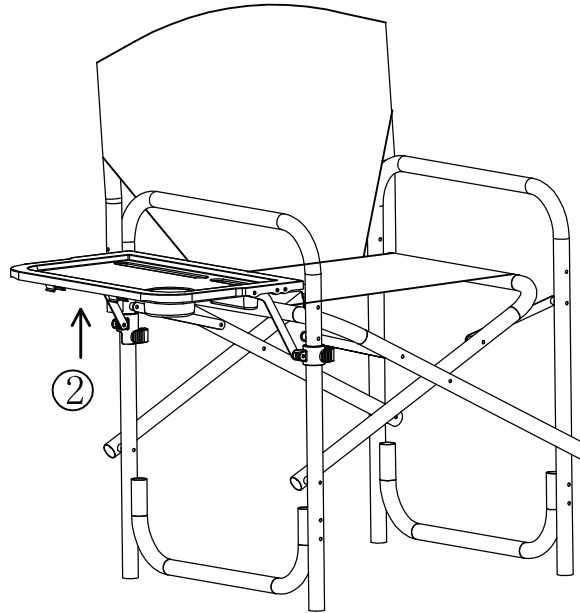
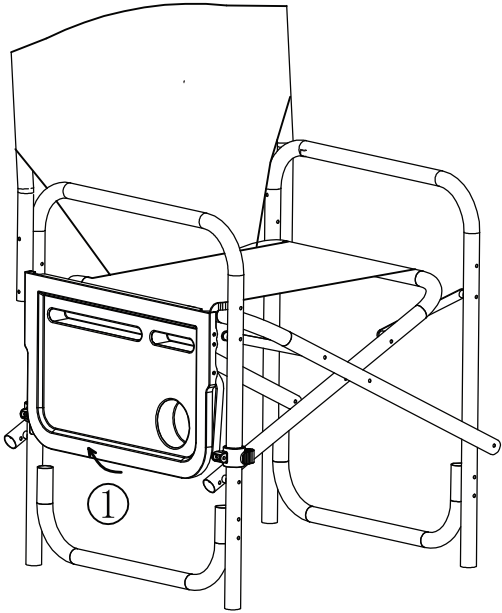


# Assembly and Care Instructions

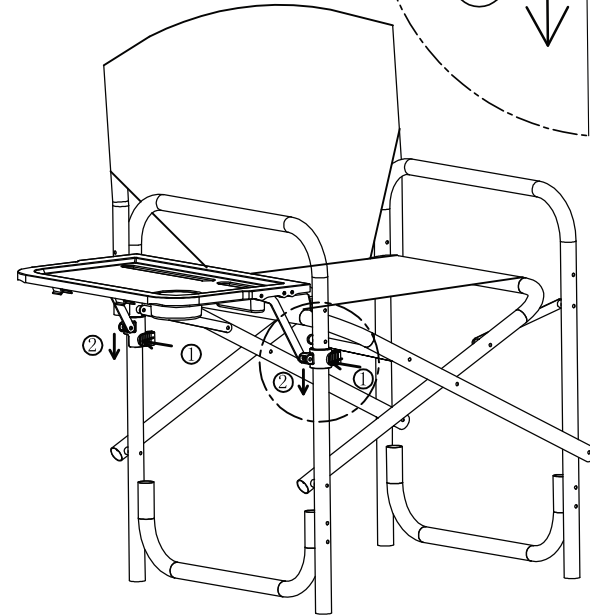
DR374/375/376/377/378/381  
Director's Chair

**IMPORTANT!! CHECK TO MAKE SURE YOU HAVE ALL THE PARTS!!**  
**PLEASE READ ENTIRE INSTRUCTION SHEET BEFORE ASSEMBLY!!**  
**IMPORTANT, RETAIN FOR FUTURE REFERENCE: READ CAREFULLY**

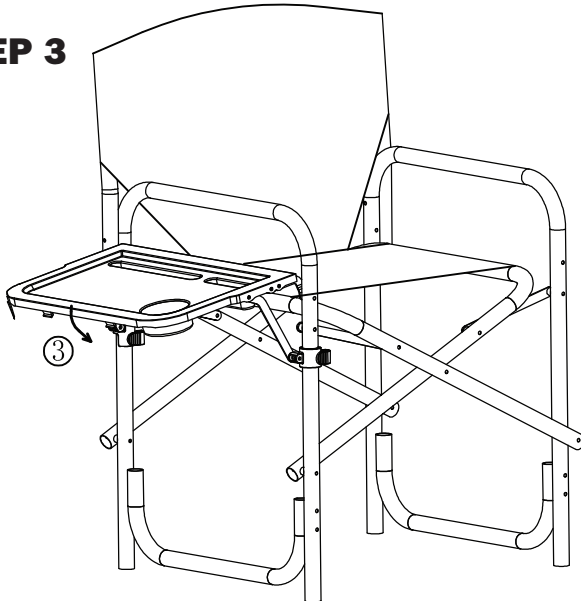
## STEP 1



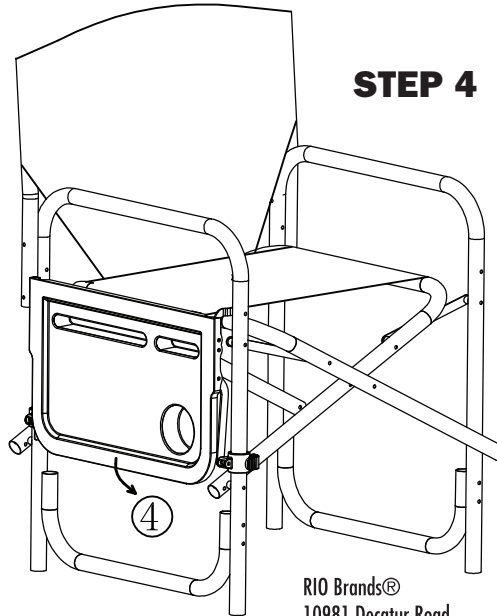
## STEP 2



## STEP 3



## STEP 4



### Safety and Care Instructions:

To preserve the finish, clean with mild soap and water.  
Never use abrasive cleaners or scrub pads.

### Missing a part?

There is no need to return this item to the store, instead call  
**TOLL FREE HOT LINE 1-800-PARTS-90**  
Usually we can send out a FREE replacement within 72 hours.  
There is no charge for the missing parts.  
Office hours: 8:00 am to 5:00 pm EST.

RIO Brands®  
10981 Decatur Road  
Philadelphia, PA 19154  
www.riobrands.com  
Made in China