



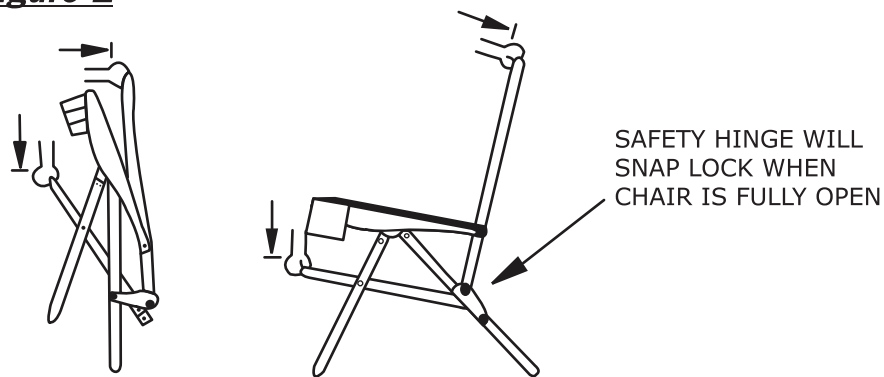
Use and Care Instructions

IMPORTANT!! CHECK TO MAKE SURE YOU HAVE ALL THE PARTS!! PLEASE READ ENTIRE INSTRUCTION SHEET BEFORE ASSEMBLY!!

Instructions to open:

Hold the front of the seat and top of the back. Open the chair and press backwards on the top of the back until the safety hinges snap firmly onto the rear leg. Then adjust the backrest to your desired position. (FIG 1)

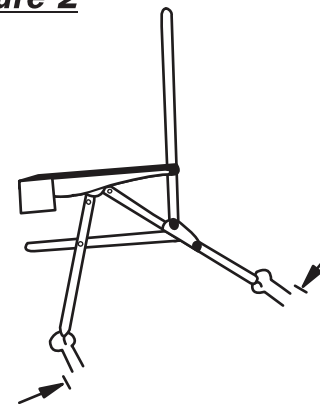
Figure 1



Instructions to close:

To easily unlock the safety hinges and close your chair, pick the chair up, grasp the bottom of the front and rear legs and pull them together in a quick motion. (FIG 2)

Figure 2



Instructions to adjust the back:

DO NOT PUT FINGERS UNDERNETH ARMS. While seated, lean forward to take pressure off the backrest, grip the front of the arms and lift up. Move backrest to desired position and press the arms down to lock into desired position.

Instructions to adjust the pillow:

The pillow is removable and can be raised or lowered by adjusting the Velcro straps. The pillow may also be flipped over the back of the chair while still staying attached.

Fabric care:

Fabric and frame may be sponged with mild soap and water or simply hosed down. NOTE: Never use bleach or detergent on the fabric.

Missing a part?

There is no need to return this item to the store, instead call **TOLL FREE HOT LINE 1-800-PARTS-90**. Usually we can send out a FREE replacement within 72 hours. There is no charge for the missing parts. Office hours: 8:00 am to 5:00 pm EST.



Philadelphia, PA
www.riobrands.com

RIO Brands®
10981 Decatur Road
Philadelphia, PA 19154
www.riobrands.com

Made in China