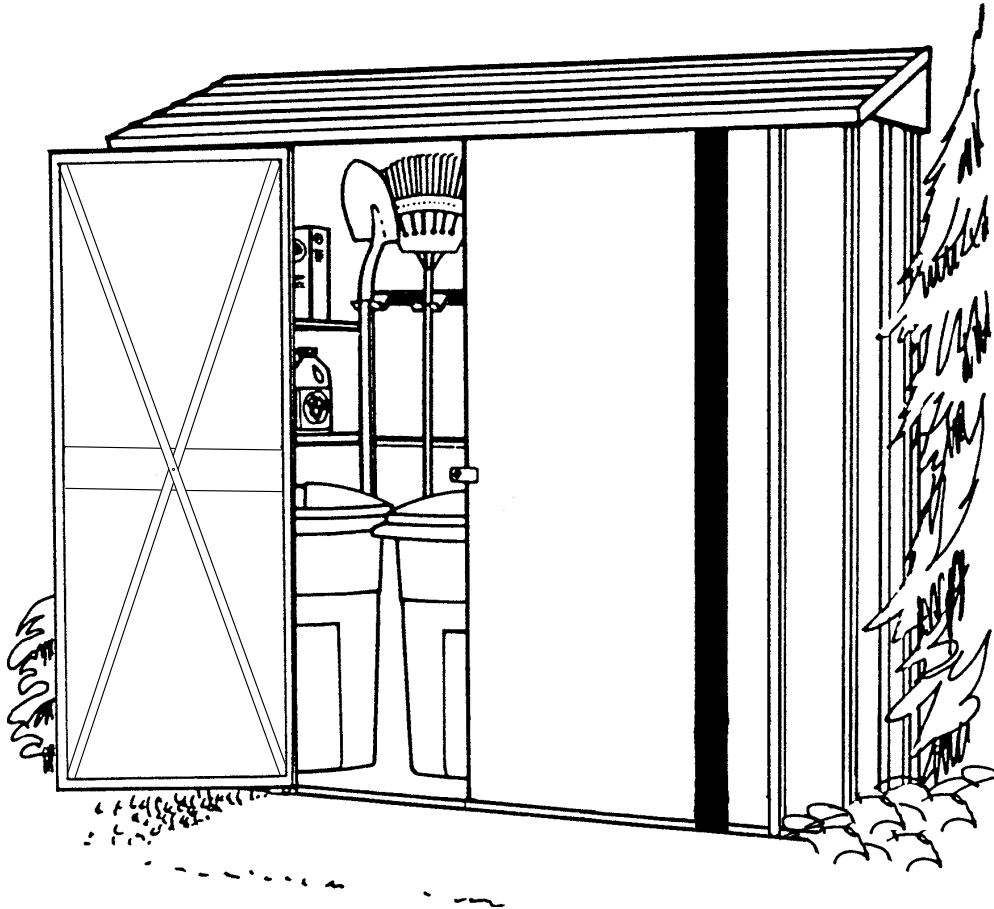


# Owner's Manual & Assembly Instructions

BN01



Model No. CL72 **A**  
 CL72EU **A**  
 697.76085



709020917

BUILDING DIMENSIONS \* Size rounded off to the nearest foot



CAUTION: SOME PARTS HAVE SHARP EDGES. CARE MUST BE TAKEN WHEN HANDLING THE VARIOUS PIECES TO AVOID A MISHAP. FOR SAFETY SAKE, PLEASE READ SAFETY INFORMATION PROVIDED IN THIS MANUAL BEFORE BEGINNING CONSTRUCTION. WEAR GLOVES WHEN HANDLING METAL PARTS.

*Approx. Size	Foundation Size	Storage Area Sq. Ft. Cu. Ft.		Exterior Dimensions (Roof Edge to Roof Edge)			Interior Dimensions (Wall to Wall)			Door Opening	
				Width	Depth	Height	Width	Depth	Height	Width	Height
7' x 2'	86 5/8" x 28 1/4"	15	95	87 1/4"	28 1/2"	81 5/8"	83 7/8"	25 1/2"	81"	50 1/4"	69"
2,1m x 0,6m	220,0cm x 71,8cm	1,4m <sup>2</sup>	2,7m <sup>3</sup>	221,6cm	72,4cm	207,3cm	213,0cm	64,8cm	205,7cm	127,6cm	175,3cm

- GB:** Assembly manual in additional languages available online.  
Scan QR code below to access.
- FR:** Manuel de montage disponible en ligne dans d'autres langues.  
Pour y accéder, scannez le code QR ci-dessous.
- SP:** Manual de montaje en idiomas adicionales disponible online.  
Escanee el código QR a continuación para acceder.
- DE:** Montageanleitung in zusätzlichen Sprachen online verfügbar.  
Scannen Sie den QR-Code unten, um darauf zuzugreifen.
- IT:** Manuale dell'assemblea in altre lingue disponibile online.  
Per accedere effettua la scansione del codice QR in basso.
- PT:** Manual de montagem disponível em outros idiomas online.  
Digitalize o código QR abaixo para obter acesso.
- DT:** Samlingshåndbog i yderligere sprog til rådighed online.  
Scan QR kode nedenunder for at få adgang.
- SK:** Na internete je k dispozícii návod na zostavenie v ďalších jazykoch.  
Dostanete sa k nemu naskenovaním kódu QR.
- CZ:** Návod k montáži v dalších jazycích je k dispozici v online verzi.  
Přístup získáte po naskenování QR kódu níže.
- HU:** Az összeszerelési útmutató további nyelveken is elérhető online.  
A hozzáféréshez olvassa be az alábbi QR-kódot.
- GR:** Υπάρχει διαθέσιμο στο διαδίκτυο το εγχειρίδιο συναρμολόγησης  
σε περισσότερες γλώσσες. Σαρώστε τον παρακάτω κώδικα  
QR για να αποκτήσετε πρόσβαση.



# BEFORE YOU BEGIN...

A03

## Owner's Manual

Before beginning construction, check local building codes regarding footings, location and other requirements. Study and understand this owner's manual.

Important information and helpful tips will make your construction easier and more enjoyable.

**Assembly Instructions:** Instructions are supplied in this manual and contain all appropriate information for your building model. Review all instructions before you begin, and during assembly, follow the step sequence carefully for successful results.

**Flooring and Anchoring:** Your storage building must be anchored to prevent wind damage. A base is necessary to construct a square and level building. Anchoring and base materials are not included with your building. We recommend the combined use of an Arrow Floor Frame Kit and an Arrow Anchoring Kit as an effective method of securing your building to the ground (Available at your local dealer, Arrow's website [arrowsheds.com](http://arrowsheds.com) or call Arrow's Customer Service department 1-800-851-1085) or you may construct a base and anchoring system of your choice. Your assembly instructions provide information on a few methods commonly used to secure and level a storage building.

**Parts and Parts List:** Check to be sure that you have all the necessary parts for your building.

- All part numbers can be found on the parts. All of these numbers (before the -) must agree with the numbers on the Parts List page.

- If you find that a part is missing, include the model number of your building and contact:

Arrow Shed, LLC                      Customer Service Department

1101 North 4th Street      Breese, Illinois 62230

1-800-851-1085 or [assist@arrowsheds.com](mailto:assist@arrowsheds.com)

- Separate contents of the carton by the part number while reviewing parts list. The first few steps show how to join related parts to make larger sub assemblies which will be used later.

- Familiarize yourself with the hardware and fasteners for easier use during construction. These are packaged within the carton. Note that extra fasteners have been supplied for your convenience.

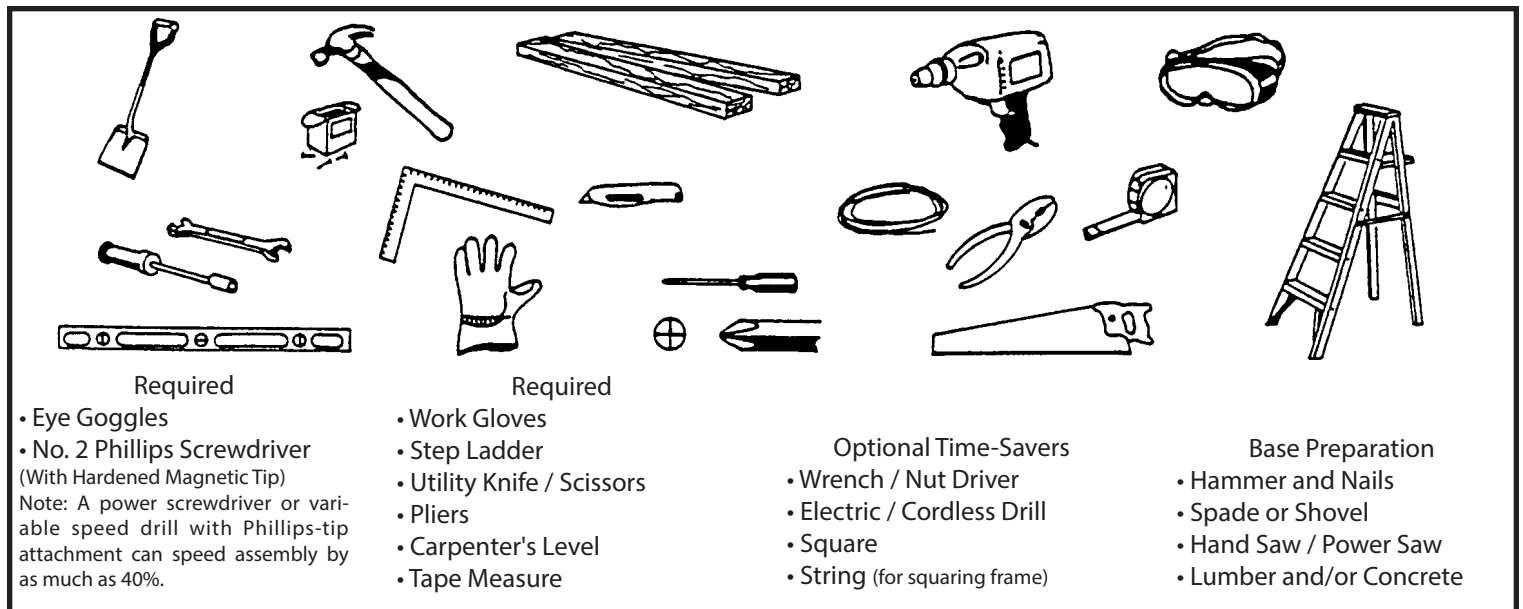
# PLAN AHEAD....

A04

**Watch the Weather:** Be sure the day you select to install your building is dry and calm. Do not attempt to assemble your building on a windy day. Be careful on wet or muddy ground.

**Teamwork:** Whenever possible, two or more people should work together to assemble your building. One person can position parts or panels while the other is able to handle the fasteners and the tools.

**Tools and Materials:** These are some basic tools and materials you will need for the construction of your building. Decide which method of anchoring and the type of base you wish to use in order to form a complete list of the materials you will need.



**Selecting and Preparing Your Site:** Before assembly, you will want to decide on a location for your building. The best location is a level area with good drainage.

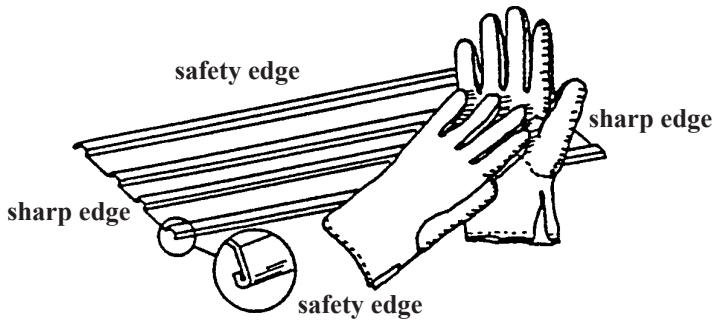
- Allow enough working space for ease of moving parts into position during assembly. Be sure there will be enough space at entrance for doors to open fully and enough space around the building to be able to fasten the panel screws from the outside.

- Before you begin the first steps in assembling your parts, a base should be constructed and an anchoring system should be ready to use.

# SAFETY FIRST...

Safety precautions are important to follow throughout the construction of your building.

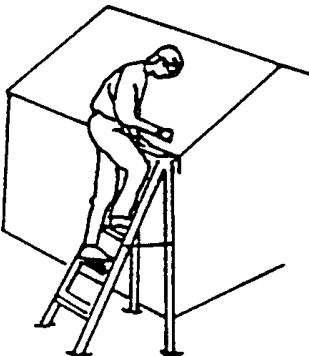
•Care must be taken when handling various pieces of your building since some contain sharp edges. Please wear work gloves, eye protection and long sleeves when assembling or performing any maintenance on your building.



•Keep children and pets away from worksite to avoid distractions and any accidents which may occur.



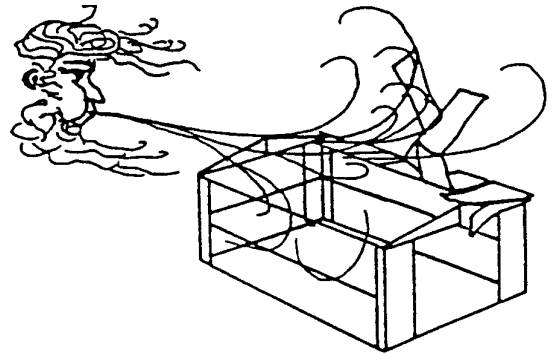
•Never concentrate your total weight on the roof of the building. When using a step ladder make sure that it is fully open and on even ground before climbing on it.



•Practice caution with the tools being used in the assembly of this building. Be familiar with the operation of all power tools.



•Do not attempt to assemble the building if parts are missing because any building left partially assembled may be seriously damaged by light winds. Call 1-800-851-1085 or [assist@arrowsheds.com](mailto:assist@arrowsheds.com)



•Do not attempt to assemble the building on a windy day, because the large panels acting as a "sail", can be whipped about by the wind making construction difficult and unsafe.



# CARE & MAINTENANCE....

A06

**Finish:** For long lasting finish, periodically clean and wax the exterior surface. Touch-up scratches as soon as you notice them on your unit. Immediately clean the area with a wire brush; wash it and apply touch-up paint per manufacturer's recommendation.

**Roof:** Keep roof clear of leaves and snow with long handled, soft-bristled broom. Heavy amounts of snow on roof can damage building making it unsafe to enter. In snow country, Roof Strengthening Kits are available for most Arrow Buildings for added protection against heavy snow accumulation. Contact Arrow as outlined on the Ordering Accessories page to place an order.

**Doors:** Always keep the door tracks clear of dirt and other debris that prevent them from sliding easily. Lubricate door track annually with furniture polish or silicone spray. Keep doors closed and locked to prevent wind damage.

**Fasteners:** Use all washers supplied to protect against weather infiltration and to protect the metal from being scratched by screws. Regularly check your building for loose screws, bolts, nuts, etc. and retighten them as necessary.

**Moisture:** A plastic sheet (vapor barrier) placed under the entire floor area with good ventilation will reduce condensation.

## Other Tips....

- Wash off inked part numbers on coated panels with soap and water.
- Silicone caulking may be used for watertight seals throughout the building.

Do not store swimming pool chemicals in your building. Combustibles and corrosives must be stored in air tight approved containers.

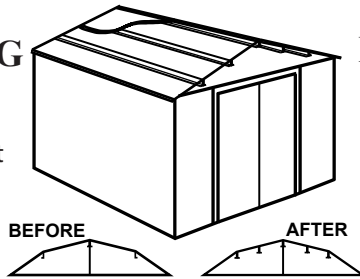
Keep this Owner's Manual and Assembly Instructions for future reference.

# ACCESSORIES...

A07

## ROOF STRENGTHENING (heavy snow load) KITS

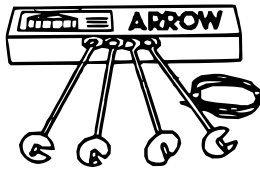
Extra roof beams and gable braces designed for added protection against heavy snow accumulation. Increases the strength of your roof.



## ANCHOR KITS

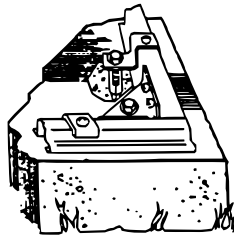
### Model No. AK4

Anchor Kit contains heavy-duty steel augers, 60' (18 m) of steel cable and 4 cable clamps. No digging or concrete pouring, just insert cable under roof, over roof beams, into augers and twist augers into the ground. For buildings larger than 10'x9' (3,0 m x 2,6 m), use 2 kits.



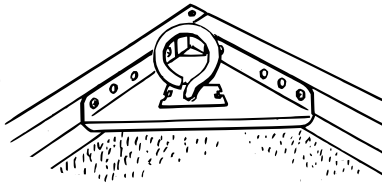
### Model No. AK100

New concrete anchor system permits anchoring any size Arrow building directly to a concrete slab. Each kit contains heavy-duty, hot-dipped galvanized steel corner gussets and perimeter clips which fit over the floor frame and lag bolt into a concrete slab. Full assembly instructions and a 1/4" masonry drill bit are included.



### Model No. AK600

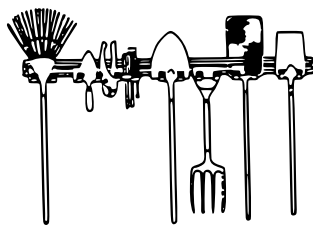
Earth Anchor Kit anchors any size Arrow building to the ground. Each kit contains heavy duty, hot-dipped galvanized steel corner gussets and 4 earth anchors.



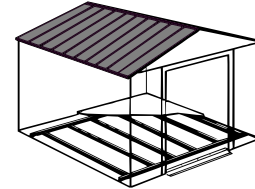
## TOOL HANGING RACK

### Model No. TH100

The perfect tool organizer. Twin 25 1/2" (64,8 cm) steel channels plus five heavy-duty snap-in hangers and a small tool holder for screwdrivers, pliers, etc. Holders slide along channel for fully adjustable spacing. Great for garage, basement, or the back of any door. Fits all Arrow storage buildings.



## FLOOR FRAME KITS



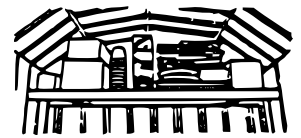
MODELS FB47410, FB5465, FB106-A  
FB109-A and FB1014-A

A simple new floor frame system made of heavy-duty, hot-dipped galvanized steel. Use as base for plywood, sand or stone.

## ATTIC KIT / WORKBENCH KIT

### Model No. AT101

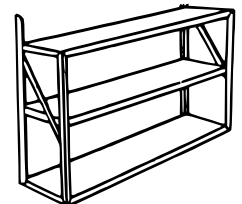
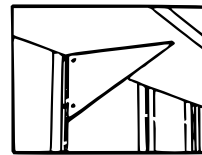
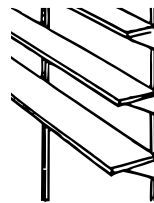
Heavy-duty galvanized steel bars that fit all 10' (3,0 m) wide Arrow buildings. They install quickly and easily to help organize space and create more useable space as an attic or workbench. Will hold up to 250 lbs. (113 kg) evenly distributed.



Some drilling required to fit buildings without mid-wall bracing.

## SHELF UNITS

Heavy-duty, galvanized steel shelf units help organize storage space. They easily mount on the wall or sit on the floor. Fits all Arrow buildings.\*



Model No. SS404

- Makes 8" to 12" (20,3-30,5 cm) wide shelves in any length.
- Brackets, braces, hardware included.
- Lumber is not included.

Model No. SS900-B

- Grey color
- 3 shelves
- Holds up to 85 lbs. (38 kg) (even weight distribution)

\* Some drilling required to fit buildings without mid-wall bracing.

# ORDERING ACCESSORIES....

A08

02/13

We recommend that you purchase accessory items from your local storage building dealer whenever possible; however, because the full line of accessories is not always available from all dealers, Arrow is offering them to you on a direct basis.

There are two ways to order Arrow Storage Building Accessories:

Option 1	Option 2
Accessories can be purchased through  arrowsheds.com	Order accessories by telephone using your MasterCard or Visa credit card.  Call toll free 1-800-851-1085 (Customer Service).  Allow 2 weeks for delivery.

## SPECIAL NOTE:

If your accessory is shipped via truck line a day time phone number is required to arrange delivery. If no one is available to sign for the delivery, you may be subject to a re-delivery charge assessed by the carrier.



# Foundation

BJ09

## The Foundation For Your Building

### OPTION 1: Wood Platform

If you decide to build your own foundation, be sure to select the appropriate materials.

These are the recommended materials for your foundation:

- 2 x 4's (38mm x 89mm) Pressure Treated Lumber
- 5/8" (15,5mm) 4 x 8 (1220mm x 2440mm) Plywood-exterior grade
- 10 & 4 penny Galvanized Nails
- Concrete Blocks (optional)

The platform should be level and flat (free of bumps, ridges etc.) to provide good support for the building. The necessary materials may be obtained from your local lumber yard.

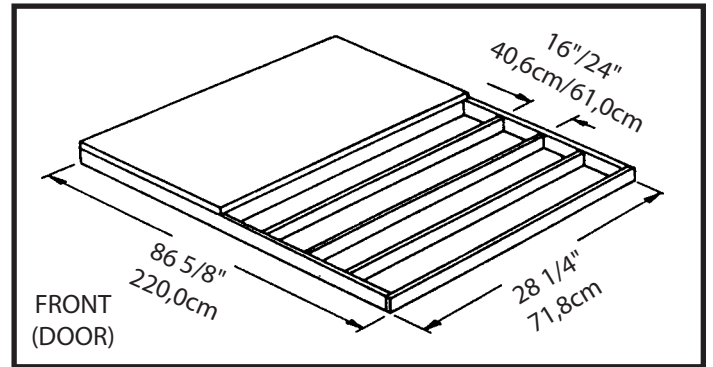
To construct the foundation follow instructions and diagram.

Construct frame (using 10 penny galvanized nails)

Measure 16"/24" (40,6cm/61,0cm) sections to construct inside frame (see diagram)

Secure plywood to frame (using 4 penny galvanized nails)

Allow 2 - 3 hours for construction.



Note: Platform/Slab will extend 9/16" (1,4cm) beyond floor frame on all four sides. Seal this 9/16" (1,4cm) of wood with a roofing cement (not included), or bevel this 9/16" (1,4cm) of concrete when pouring, for good water drainage.

### OPTION 2: Concrete Slab

The slab should be at least 4" (10,2cm) thick. It must be level and flat to provide good support for the frame.

The following are the recommended materials for your foundation.

- 1 x 4's (19mm x 89mm) (will be removed once the concrete cures)
- Concrete
- Sheet of 6 mil plastic

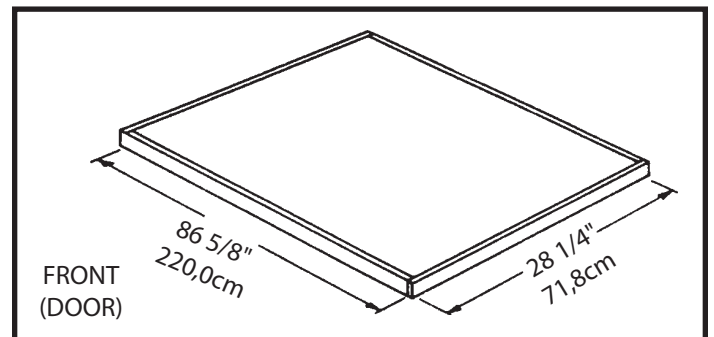
We recommend for a proper strength concrete to use a mix of:

- 1 part cement
- 3 parts pea sized gravel
- 2 1/2 parts clean sand

Prepare the Site/Construct a Foundation

1. Dig a square, 6" (15,2cm) deep into the ground (remove grass).
2. Fill up to 4" (10,2cm) in the square with gravel and tamp firm.
3. Cover gravel with a sheet of 6 mil plastic.
4. Construct a wood frame using four planks of 1x4 (19mm x 89mm) lumber.
5. Pour in concrete to fill in the hole and the frame giving a total of 4" (10,2cm) thick concrete. Be sure surface is level.

Allow 3 - 5 hours for construction and a week for concrete curing time.



Note: Finished Slab dimensions, with lumber removed.

# Anchoring

A10

## Anchoring Down The Building

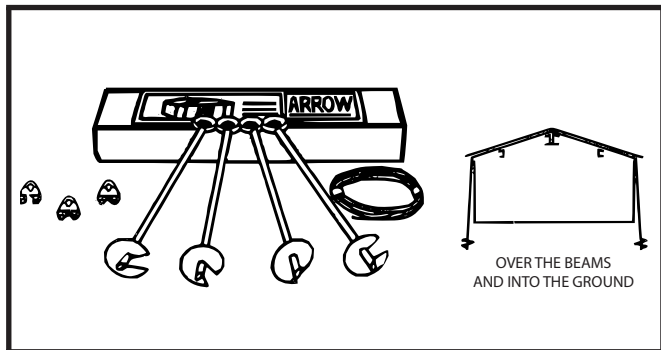
It is important that the entire floor frame be anchored after the building is erected.

Below are recommended ways of anchoring.

### Arrow Anchoring Kit: (Model No. AK4 or 60298)

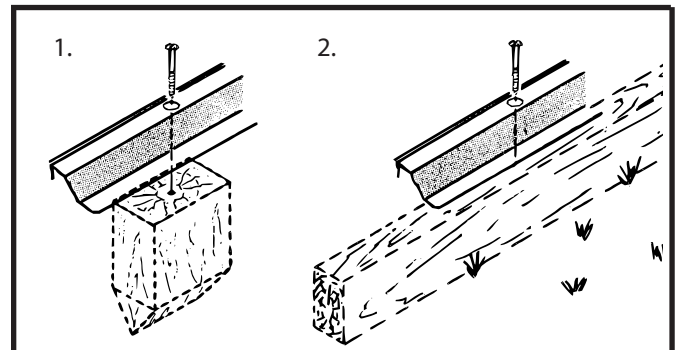
Recommended for use with any suggested base.

Contains: 4 Anchors with Cable, Clamps and installation instruction.



### Anchoring into Wood/Post:

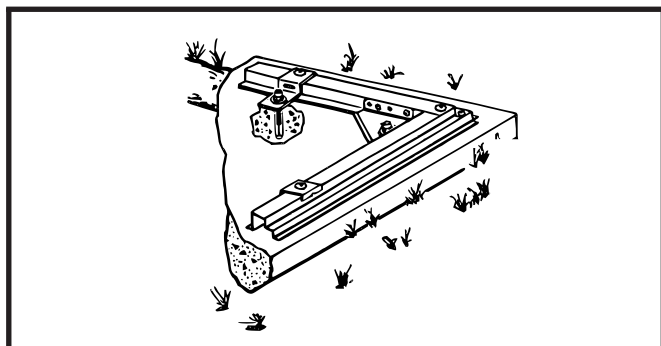
Use 1/4" (6 mm) Wood Screws. There are 1/4" (6 mm) dia. holes provided in the frames for proper anchoring.



### Arrow Anchoring Kit: (Model No. AK100 or 68383)

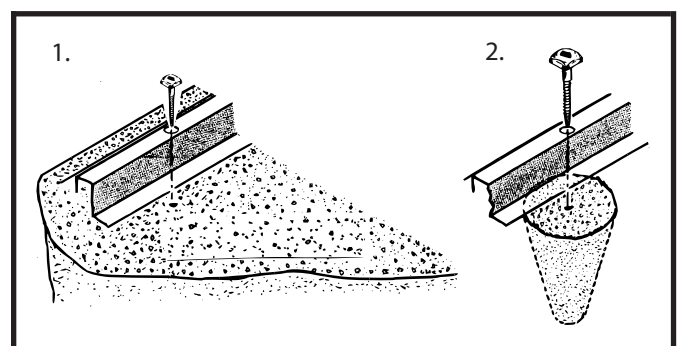
Recommended for use with the concrete base.

Contains: Corner gussets, perimeter clips, hardware, 1/4" masonry drill bit and installation instruction.



### Anchoring into Concrete:

1. For poured concrete slab or footing or patio blocks: Use 1/4" x 2" (6 mm x 51 mm) Lag Screws.
2. For Anchor Post of Concrete poured after building is erected: Use 1/4" x 6" (6 mm x 152 mm) Lag Screws.



# Hardware

BN11



65103  
#8-32 Hex Nut (58)



65941  
#6-32 Hex Nut (23)



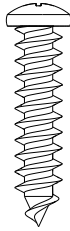
65923  
#8-32x3/8" (10mm)  
Bolt (58)



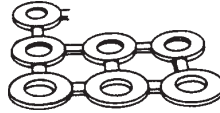
65004  
#8Ax5/16" (8mm)  
Screw (170)



66714  
#6-32x7/16" (11mm)  
Flat Hd Bolt (23)



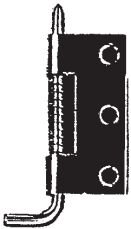
66692  
#10Ax1" (25 mm)  
Screw (2)  
(Packed with Screws)



66646  
Washer (154)  
(5 sheets of 40)



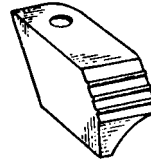
66148  
Cap Protector (14)



66684  
Spring Latch (1)



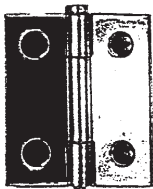
66462  
Hasp (1)



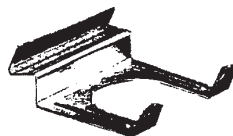
66183  
Roof Trim Cap (4)



66463  
Swivel Staple (1)



66604  
Hinge (4)



66149  
Tool Hook (5)



66150  
Screw Driver Holder (1)

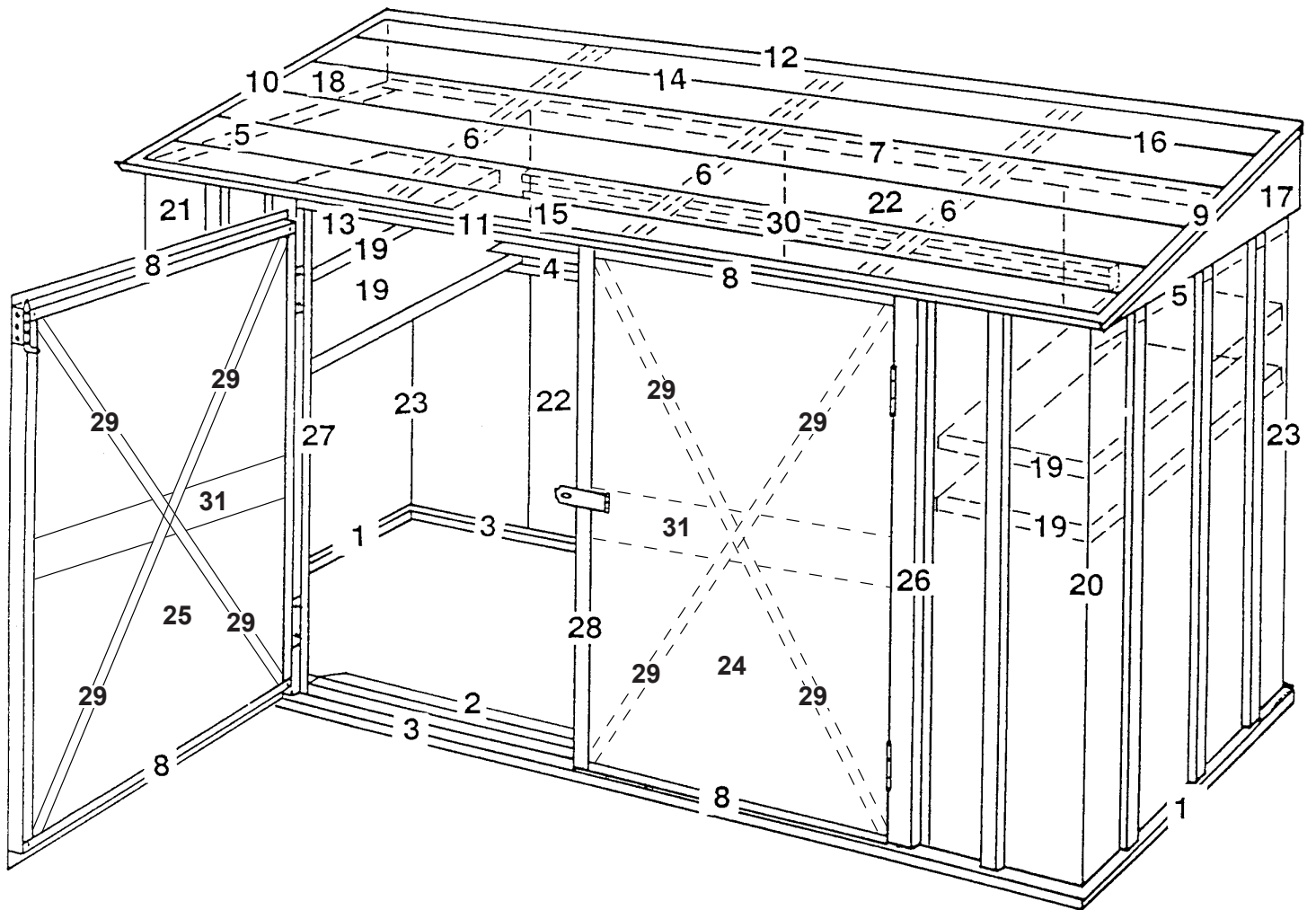
# Parts List

BN12

Assembly Key No.	Part Number	Part Description	Quantity in Carton	Check List
1	8984	Side Floor Frame	2	
2	9429	Ramp	1	
3	9430	Front/Rear Floor Frame	2	
4	9431	Mid Wall Frame	1	
5	9432	Side Wall Angle	2	
6	9433	Roof Rafter	3	
7	9434	Rear Wall Angle	1	
8	11071	Horizontal Door Brace	4	
9	9436	Right Roof Trim	1	
10	9437	Left Roof Trim	1	
11	9438	Front Roof Trim	1	
12	9439	Peak Trim	1	
13	9440	Door Header	1	
14	9441	Rear Header	1	
15	9442	Starter Strip	1	
16	9443	Roof Panel	1	
17	9448	Right Gable	1	
18	9449	Left Gable	1	
19	9454	Shelf	4	
20	9446	Right Front Corner Panel	1	
21	9447	Left Front Corner Panel	1	
22	9445	Wall Panel	2	
23	9444	Rear Corner Panel	2	
24	11068	Right Door	1	
25	81129	Left Door	1	
26	9452	Right Door Jamb	1	
27	9453	Left Door Jamb	1	
28	66612	Astragal	1	
29	11069	Diagonal Door Brace	8	
30	9522	Track Tool Holder	1	
31	11070	Door Latch Brace	2	

# Assembly by Key No.

BN13



# Step 1

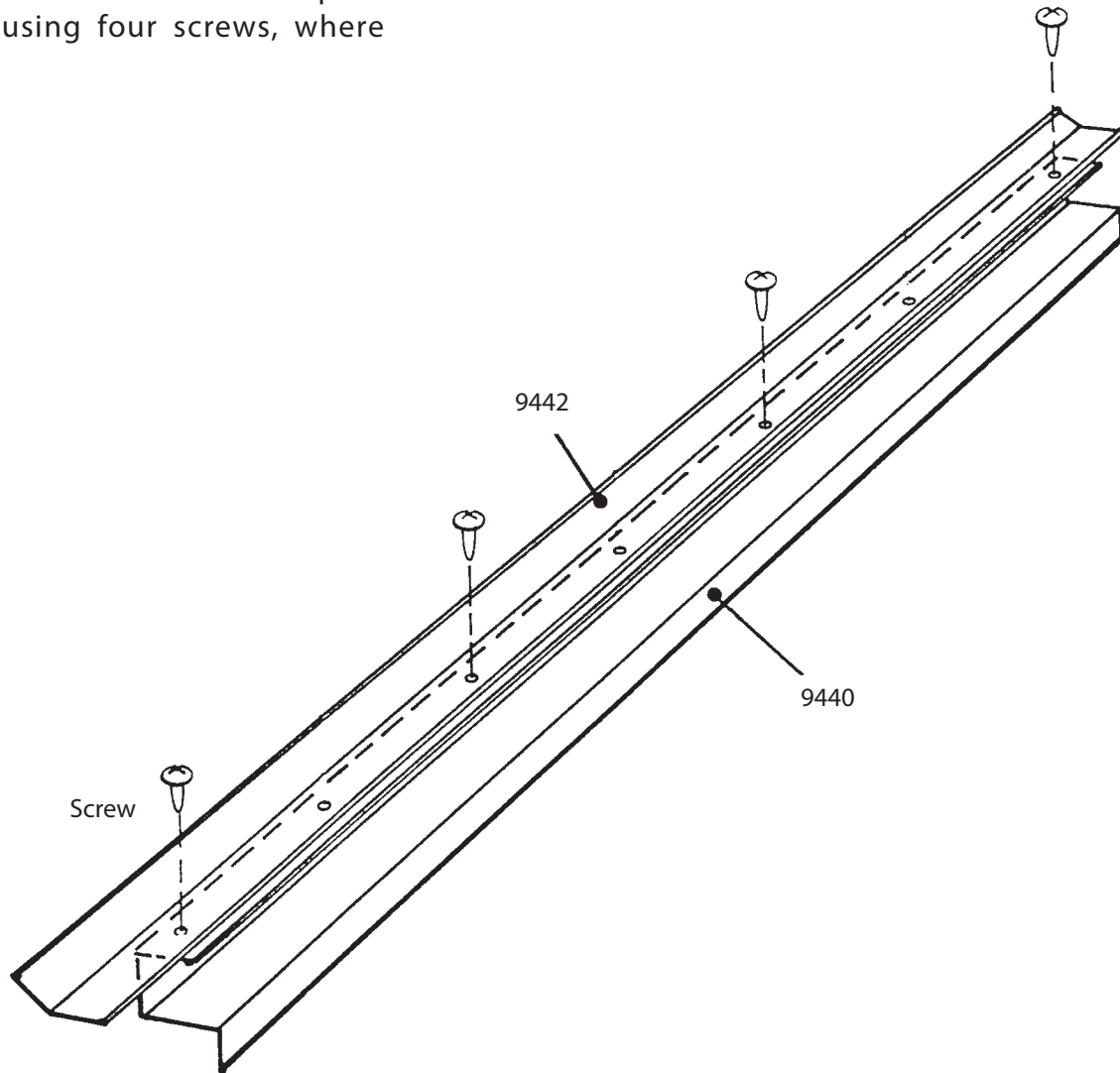
BJ14

## Parts Needed For Door Header Assembly

9440 Door Header (one)  
9442 Starter Strip (one)

The door header reinforces the front wall and roof. It is made up of two pieces.

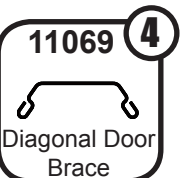
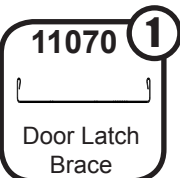
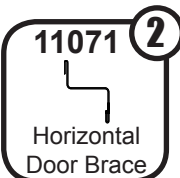
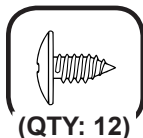
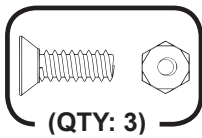
**1** Positioning the door header as shown, attach a starter strip to header using four screws, where shown.



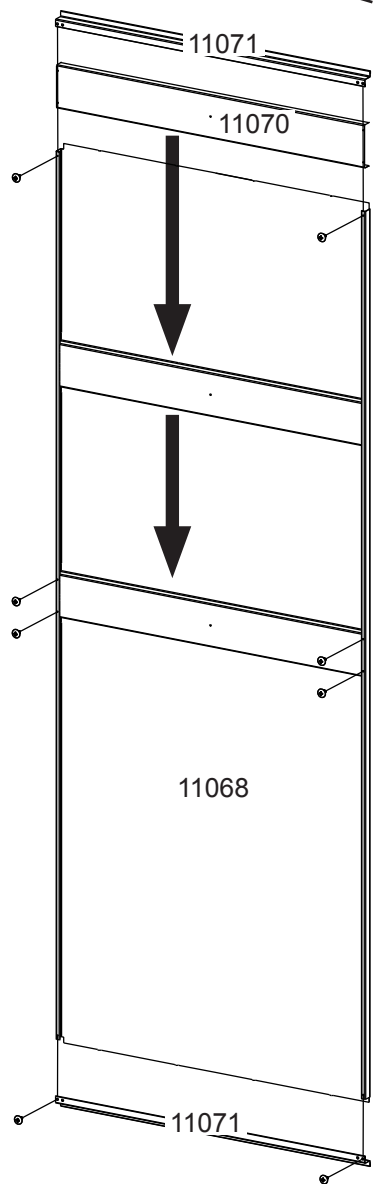
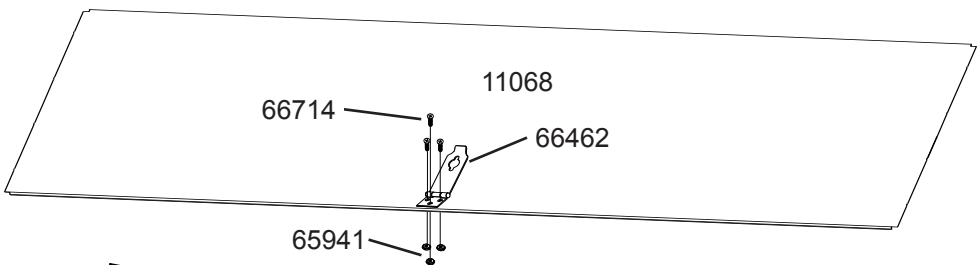
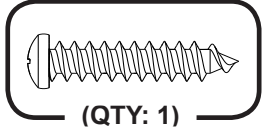
STEP
1

# Step 2: Right Door Assembly

You will need for this page:

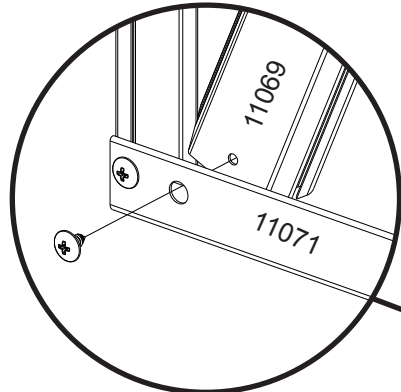
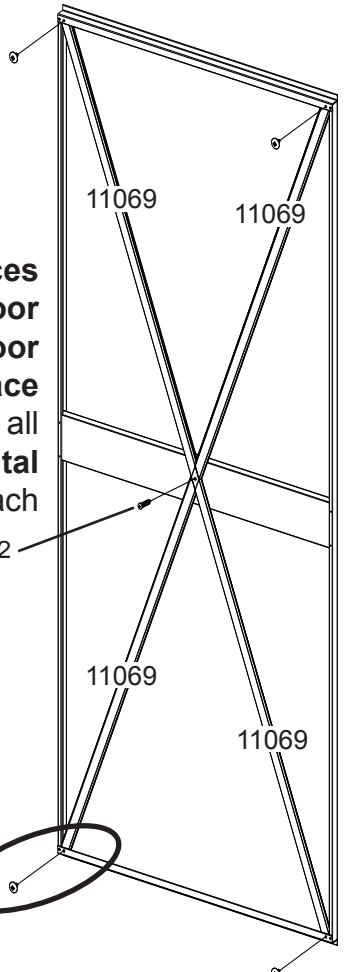


**1** Attach **HASP** to **FRONT SIDE** of **RIGHT DOOR** using three (3) bolts and nuts.



**2** Slide the **Door Latch Brace** into the middle of the **Door** and securing it with four (4) **Screws**. Then attach the **Horizontal Door Braces** to each end of **Door** using two (2) **Screws** on each brace.

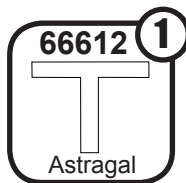
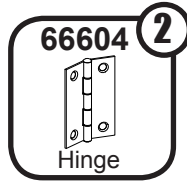
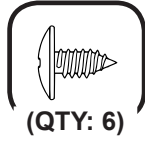
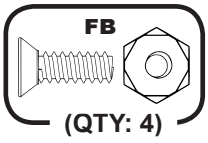
**3** Place the ends of **Diagonal Door Braces** with small holes under **Horizontal Door Braces** as shown. Secure all **Diagonal Door Braces** to center of **Door Handle Brace** using one (1) **Tapping Screw**. Attach all **Diagonal Door Braces** under **Horizontal Door Braces** using four (4) **Screws** at each corner as shown.



**NOTE** Diagonal Door Braces attach from behind Horizontal Door Brace.

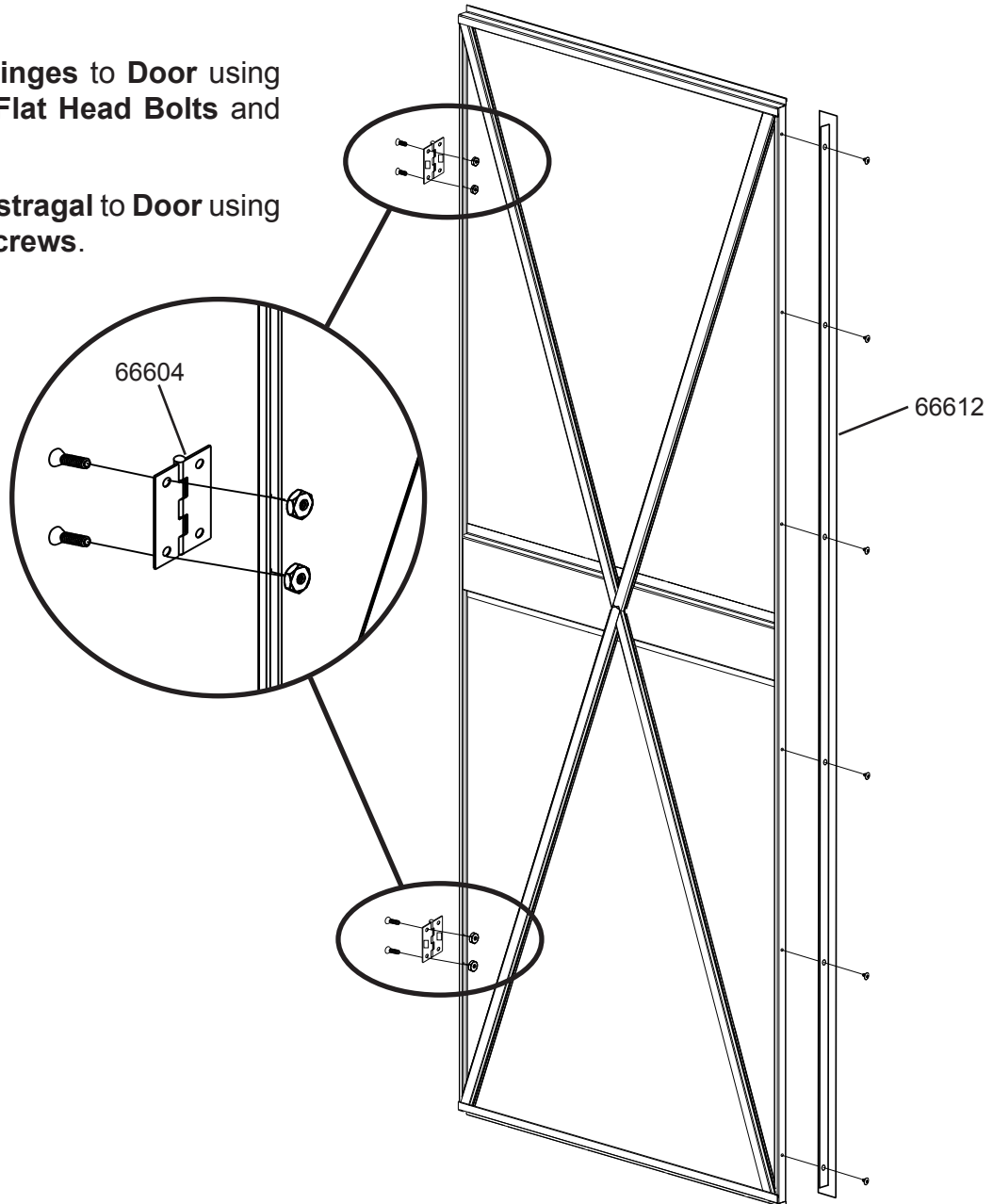
# Step 2: Continued

You will need for this page:



**4** Attach **Hinges** to **Door** using four (4) **Flat Head Bolts** and **Nuts**.

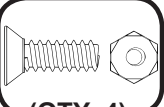






**5** Attach **Astragal** to **Door** using six (6) **Screws**.



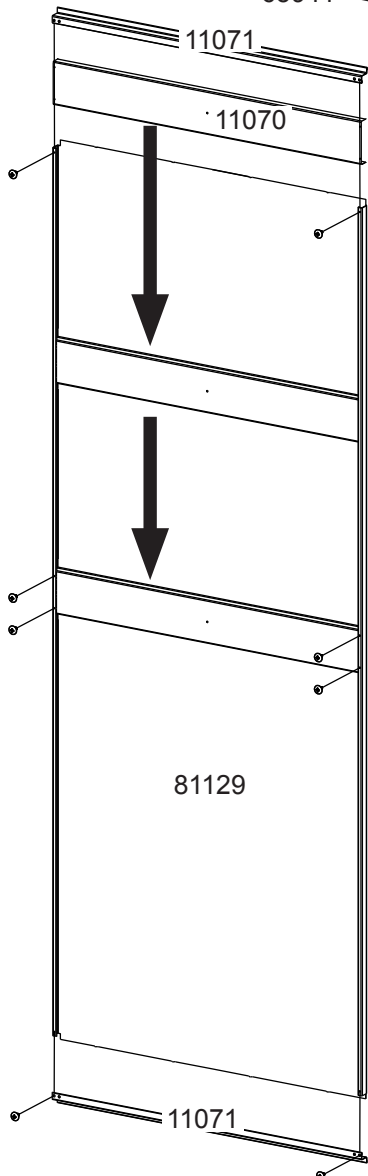
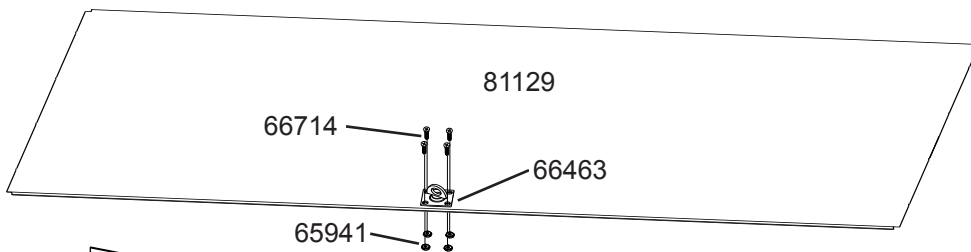
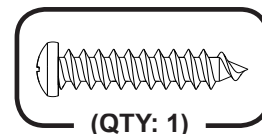


# Step 3: Left Door Assembly

You will need for this page:

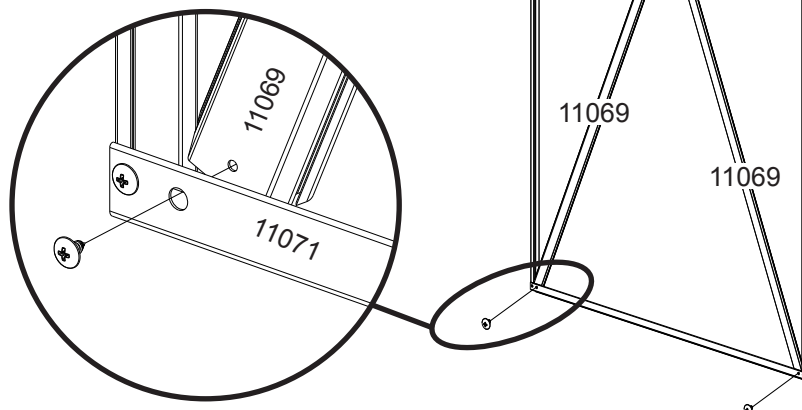
 (QTY: 4)	 (QTY: 12)	 81129 <b>1</b>	 11071 <b>2</b>	 11070 <b>1</b>	 66463 <b>1</b>	 11069 <b>4</b>
---	--	---	---	---	--	---

**1** Attach **SWIVEL STAPLE** to **FRONT SIDE** of **LEFT DOOR** using four (4) bolts and nuts.



**2** Slide the **Door Latch Brace** into the middle of the **Door** and securing it with four (4) **Screws**. Then attach the **Horizontal Door Braces** to each end of **Door** using two (2) **Screws** on each brace.

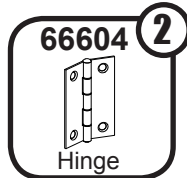
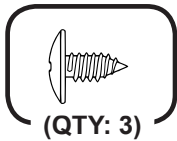
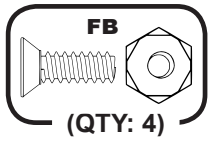
**3** Place the ends of **Diagonal Door Braces** with small holes under **Horizontal Door Braces** as shown. Secure all **Diagonal Door Braces** to center of **Door Handle Brace** using one (1) **Tapping Screw**. Attach all **Diagonal Door Braces** under **Horizontal Door Braces** using four (4) **Screws** at each corner as shown.



**NOTE** Diagonal Door Braces attach from behind Horizontal Door Brace.

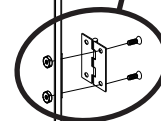
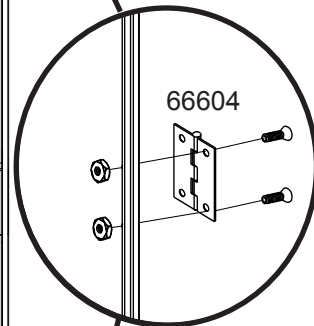
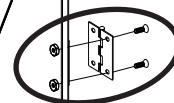
# Step 3: Continued

You will need for this page:



- 4 Attach **Hinges** to **Door** using four (4) **Flat Head Bolts** and **Nuts**.
- 5 Attach **Top Latch Spring** to left side of **Door** using three (3) **Screws**.

66684



# Step 4

BN19

## Parts Needed For Floor Frame Assembly

8984 Side Floor Frame (two)  
9429 Ramp (one)  
9430 Front/Rear Floor Frame (two)

The floor frame at the front of building is made up of two pieces. Proceed as follows:

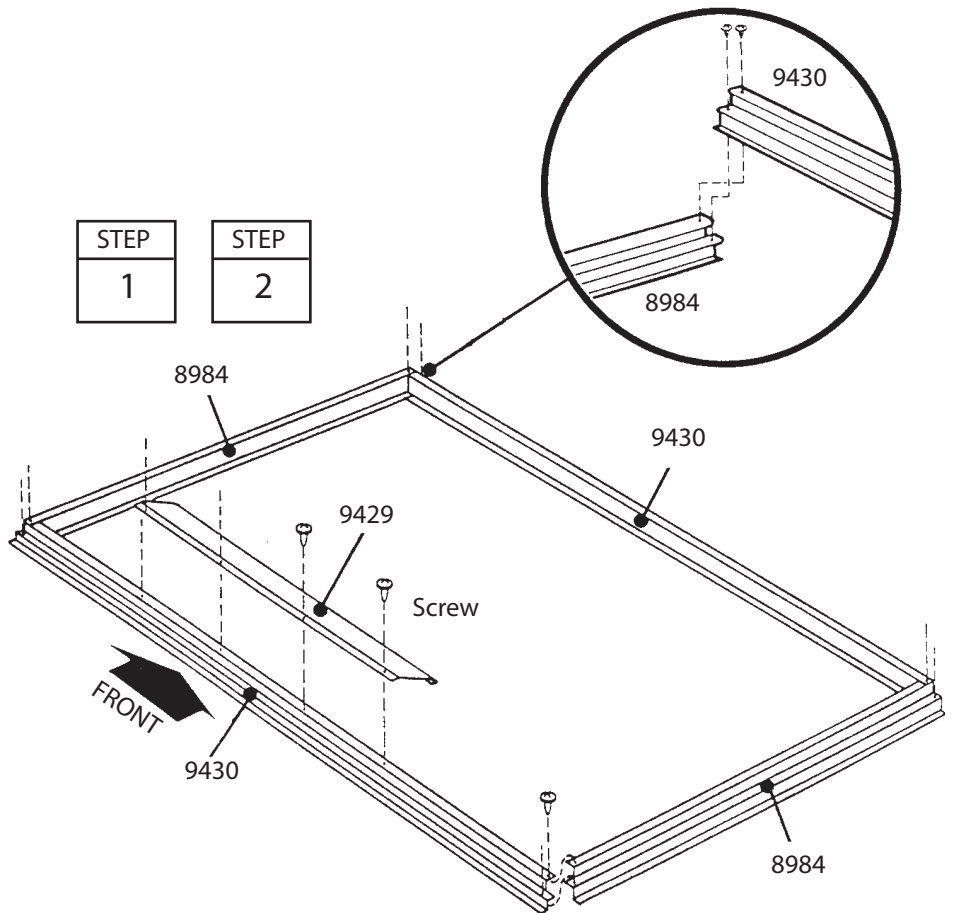
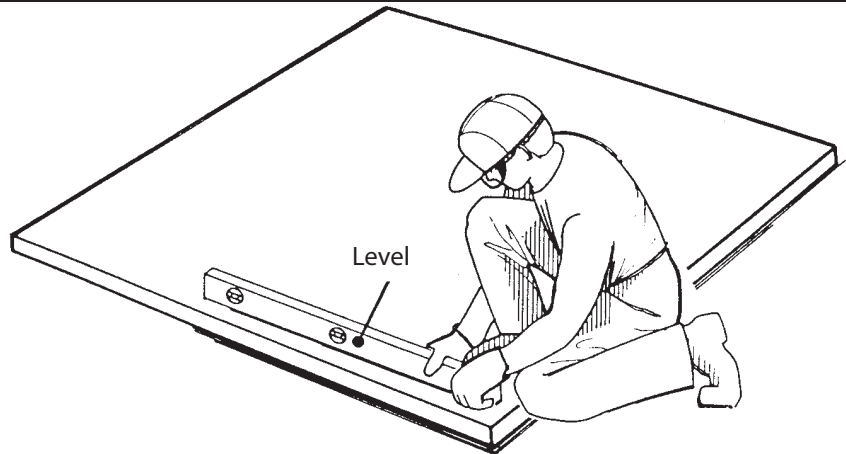
1 Center the ramp on top of the front floor frame. Join the frames by inserting four screws.

2 Place the floor frames on the foundation. Assemble the four corners of the floor frame using two screws at each corner as shown.

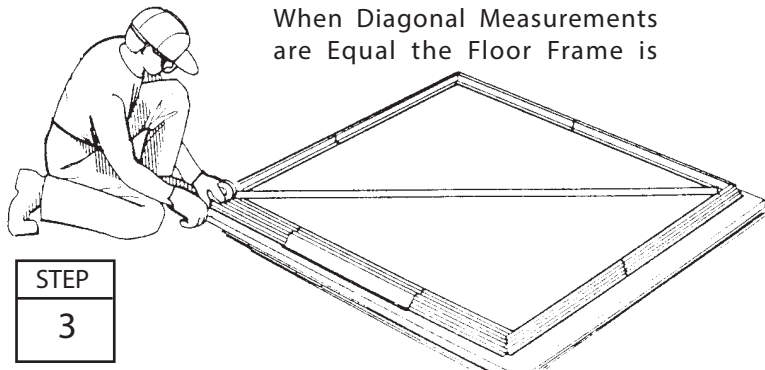
3 Measure the floor frame diagonally. When the diagonal measurements are equal, the floor frame is square.

### NOTE

Do not fasten the floor frame to your foundation at this time. You will anchor the building after it is erected.



When Diagonal Measurements are Equal the Floor Frame is



The floor frame must be square and level or holes will not align.

# Step 5

BN20

## Parts Needed For Corners/Side Angles

9432 Side Wall Angle (two)  
9446 Right Front Corner Panel (one)  
9447 Left Front Corner Panel (one)  
9444 Rear Corner Panel (two)

### NOTE

The remainder of the building assembly requires many hours. Do not continue beyond this point if you do not have enough time to complete the assembly today. A partially assembled building can be severely damaged by light winds.

Each screw and bolt in the wall requires a washer.

**1** Position right & left front corner panels at the corners of the floor frame as shown. The widest part of each corner panel must be placed along the front of the building. Fasten the corner panels to the floor frame with three screws, where shown.

Support the corner panel with a step ladder until overlap is fastened.

**2** Attach the rear corner panels to the rear corners, as shown. The crimped rib should go under the rib of the adjacent panel. Fasten overlapping rib using 2 screws and a bolt with nut.

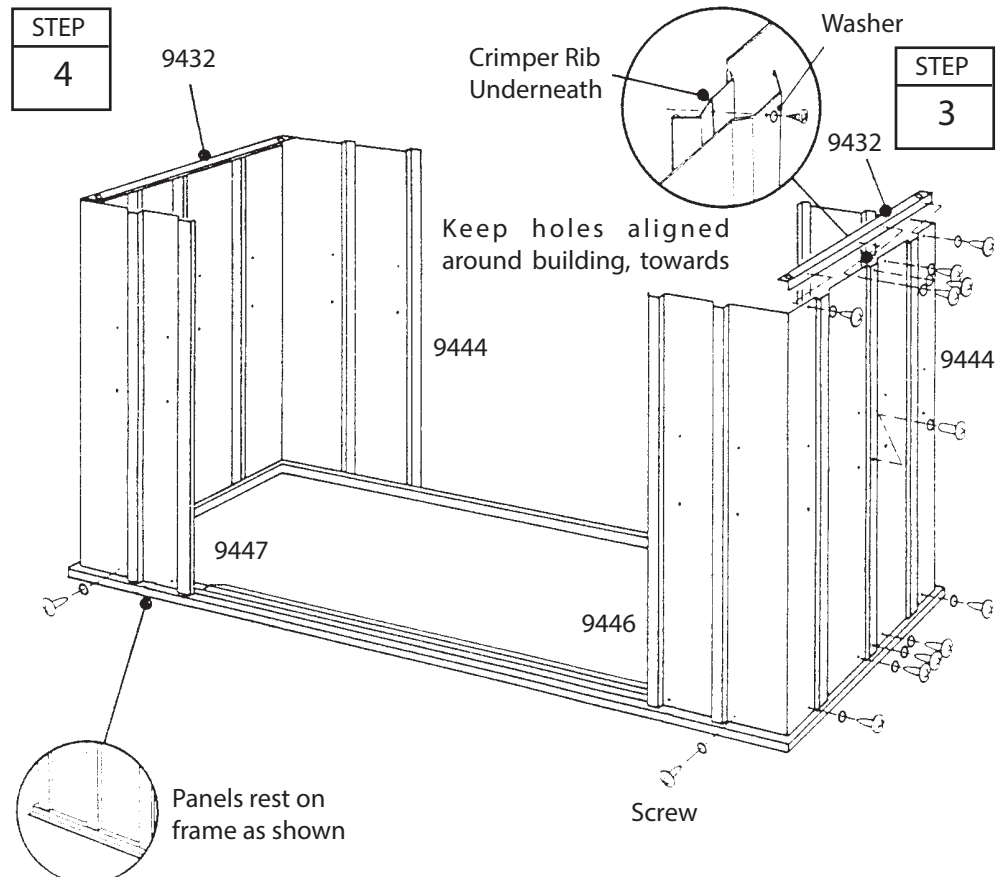
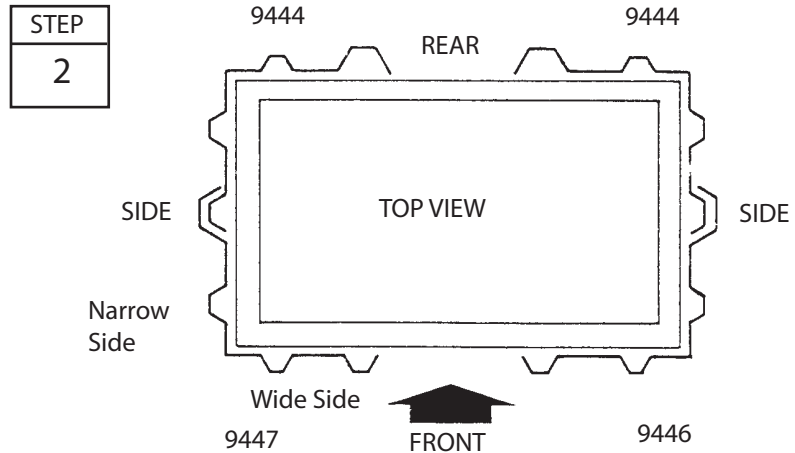
### NOTE

Be careful to install the correct panel in each position as shown

**3** Fasten the side wall angles across the top of the side panels using screws.

**4** Double-check the part numbers of the corner wall panels, before proceeding.

The floor frame must be square and level or holes will not align.



# Step 6

BN21

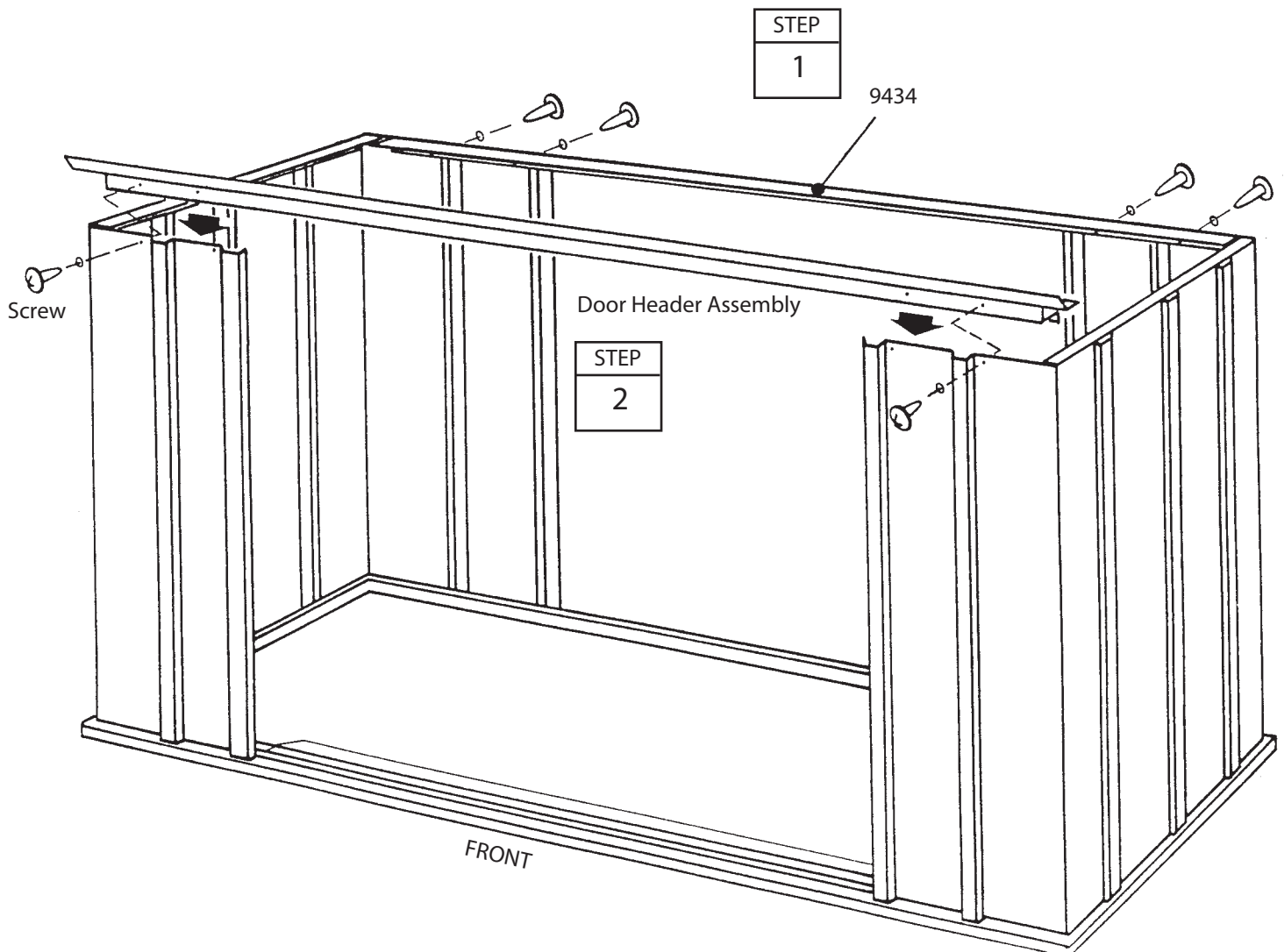
## Parts Needed For Frames

9434 Rear Wall Angle (one)  
Door Header Assembly (one)

The main frame pieces give rigidity to the front and rear walls.

**1** Fasten the rear wall angle across the top of the rear wall using four screws.

**2** Fasten the door header across the top of the front walls using two screws, where shown.



# Step 7

BN22

## Parts Needed For Wall Panels/Rear Header

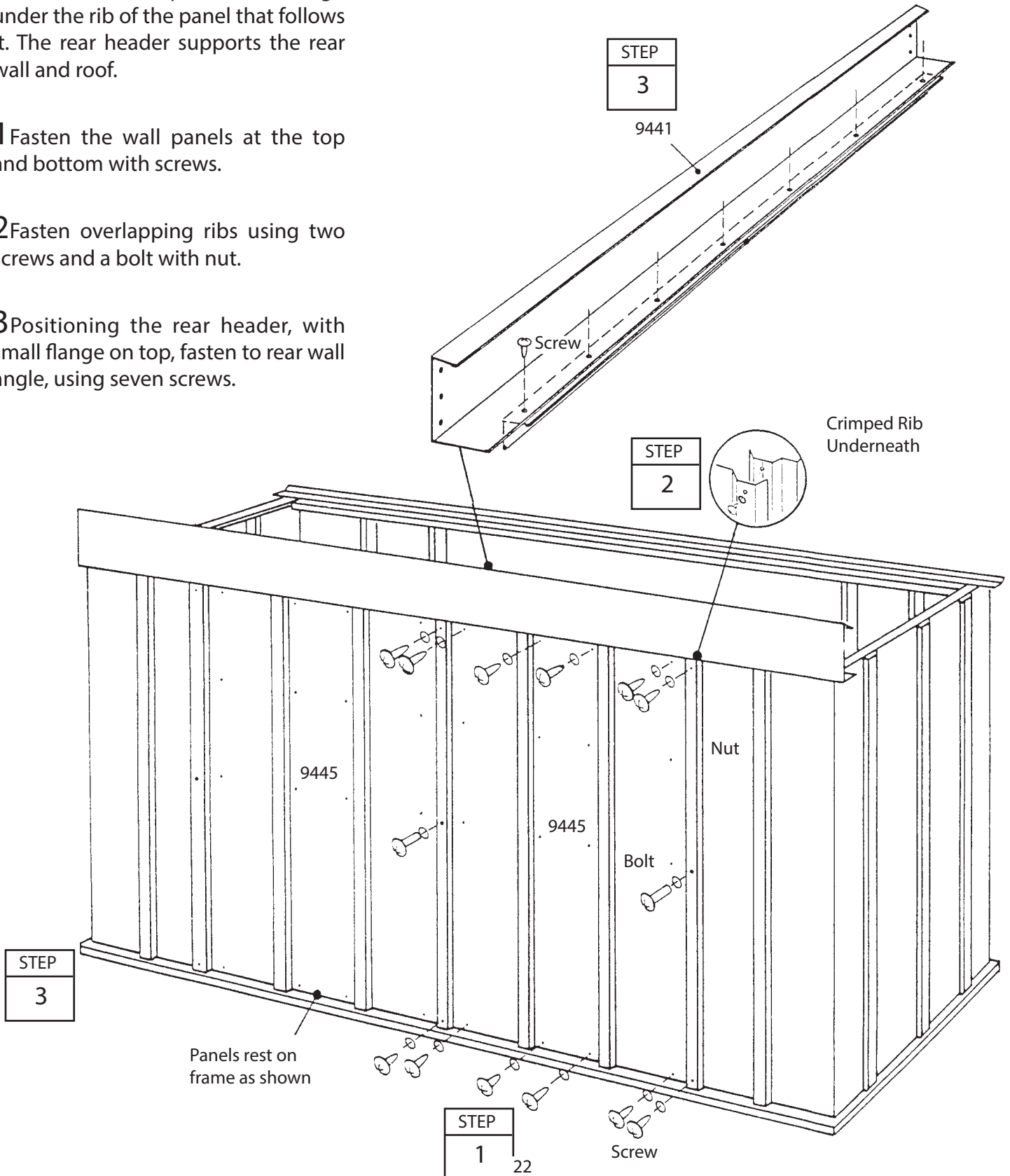
9441 Rear Header (one)  
9445 Wall Panel (two)

Each wall panel has a crimped rib on one side. The crimped rib should go under the rib of the panel that follows it. The rear header supports the rear wall and roof.

**1** Fasten the wall panels at the top and bottom with screws.

**2** Fasten overlapping ribs using two screws and a bolt with nut.

**3** Positioning the rear header, with small flange on top, fasten to rear wall angle, using seven screws.



# Step 8

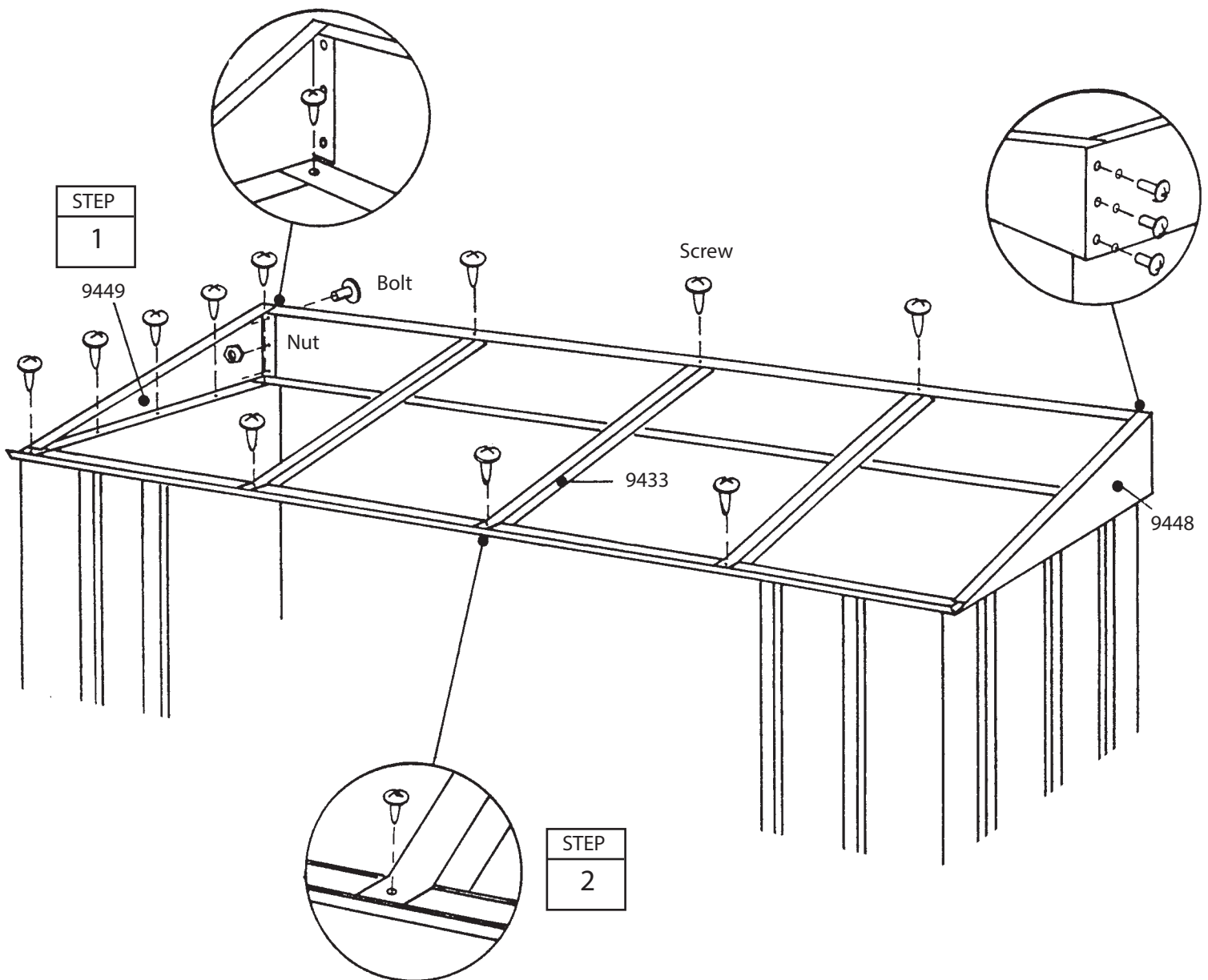
## Parts Needed For Gables/Roof Rafters

9433 Roof Rafter (three)  
9448 Right Gable (one)  
9449 Left Gable (one)

BN23

**1** Lift and fasten a right and left gable, under rear header, to the right and left hand wall with four screws. Join gables to header in the rear corners, using a screw.

**2** Position roof rafters across width of building, under rear header, with tab on top of door header. Fasten using two screws.



# Step 9

BN24

## Parts Needed For Door Jambs

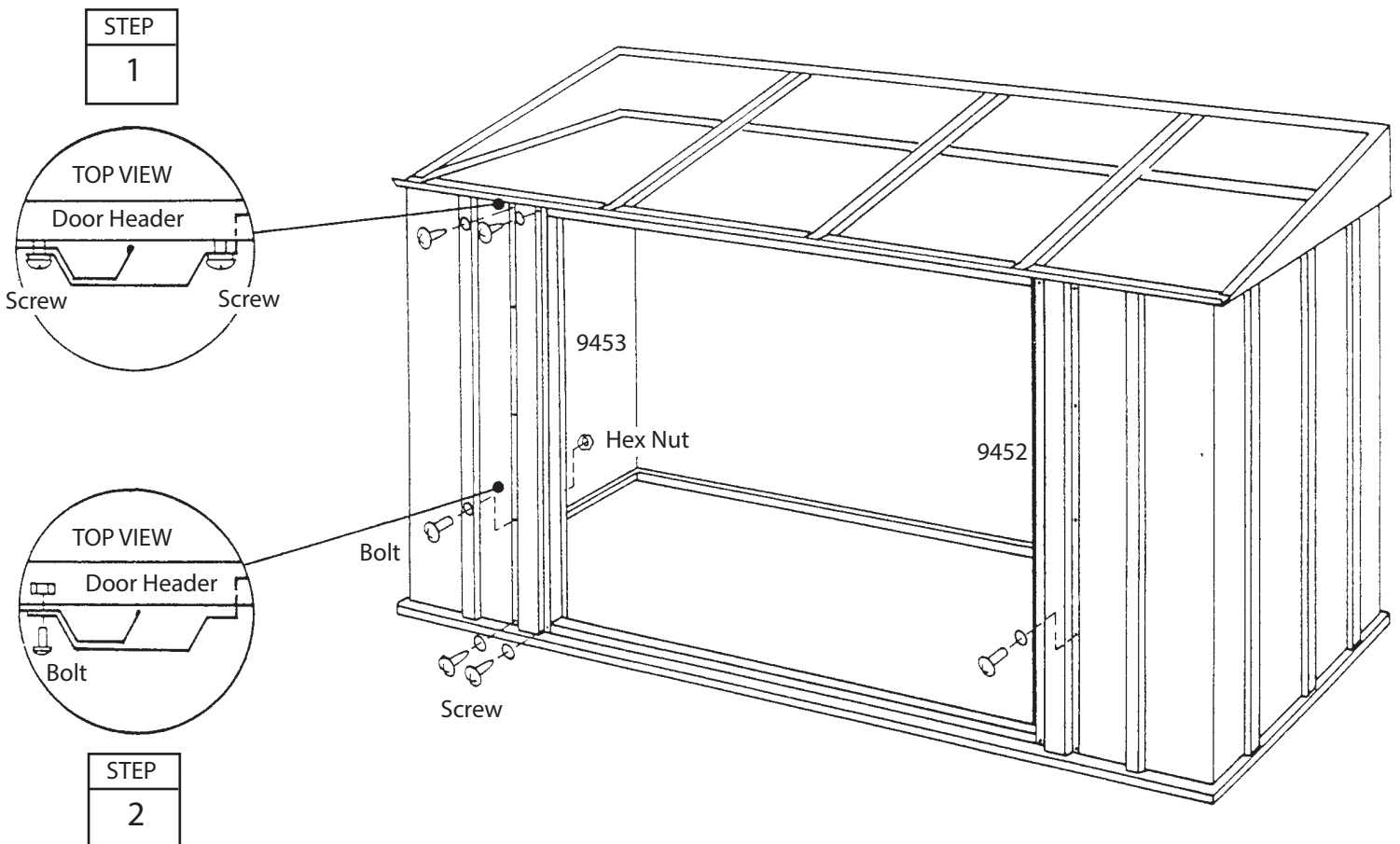
9452 Right Door Jamb (one)  
9453 Left Door Jamb (one)

The door jambs reinforce the door opening and provide an attractive trim. Follow these steps for both door jambs.

**1** Fasten a door jamb to the front corner panel with one bolt and nut as shown.

**2** Fasten the top of the door jamb to the door header with two screws. Do the same for the bottom into frame.

Repeat steps 1 through 2 for the opposite door jamb.





# Step 10

BN25

## Parts Needed For Roof Panel/Trim

9436 Right Roof Trim (one)  
9437 Left Roof Trim (one)  
9438 Front Roof Trim (one)  
9439 Peak Trim (one)  
9443 Roof Panel (one)

Each screw and bolt in the roof require a washer.

### NOTE

Measure the building diagonally again and make adjustments to make sure the building is square. This will make the roof panel fit better, and holes will align.

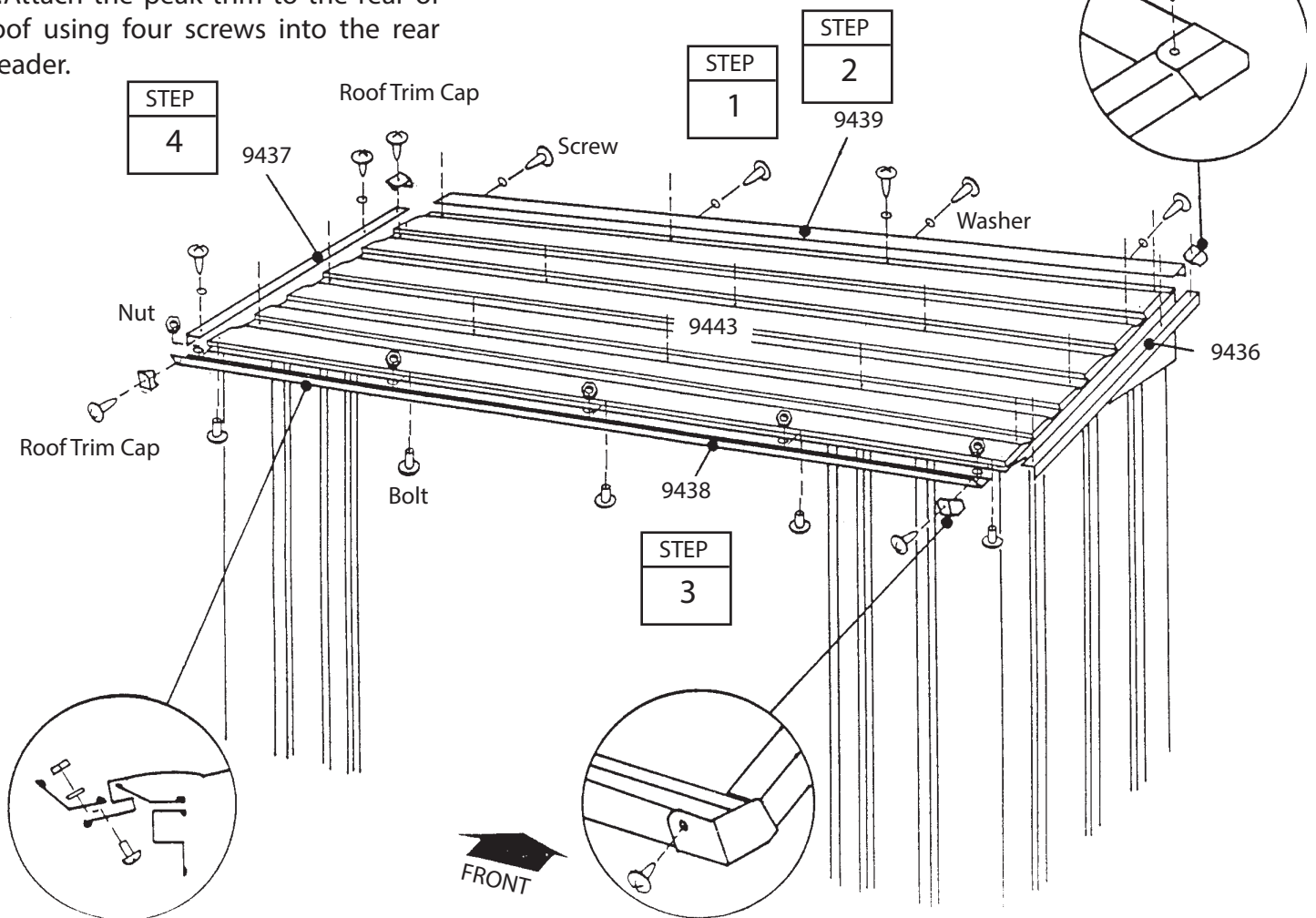
**1** Position roof panel on top and fasten to rear header, roof rafters and gables using screws.

**2** Attach the peak trim to the rear of roof using four screws into the rear header.

**3** Fasten front roof trim to the front flange on roof panel using five bolts and nuts, as shown.

**4** Attach the right & left roof trim to the ends of the roof panel on each side of the building using two screws on each trim.

**5** Fasten a roof trim cap to the peak of the right and left roof trim using a screw. Attach remaining caps upside down to the ends of the front roof trim using a screw.



# Step 11

BN26

## Parts Needed For Shelving/Mid Frame/Track

9431 Mid Wall Frame (one)  
9454 Shelf (four)  
9522 Track Tool Holder (one)

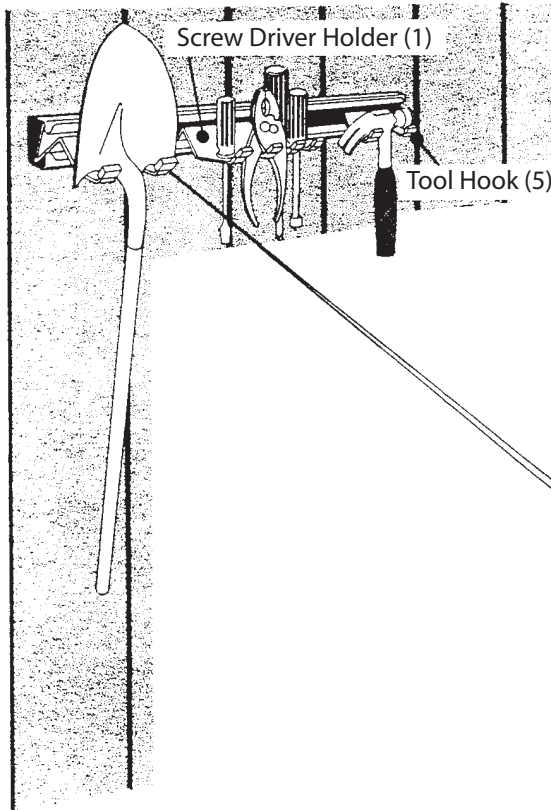
1 Fasten the mid wall frame across the middle of the rear wall using eight bolts and nuts.

2 Position a shelf inside mid wall frame and slide to the end of building. Fasten using bolts and nuts through panels.

Repeat Step 2 for the opposite shelf.

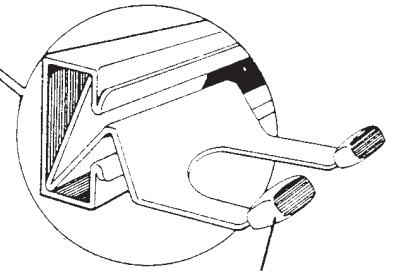
3 Install remaining two shelves above the first two at the holes provided, using bolts and nuts.

4 Fasten the track tool holder across the upper rear wall using eight screws from the outside.



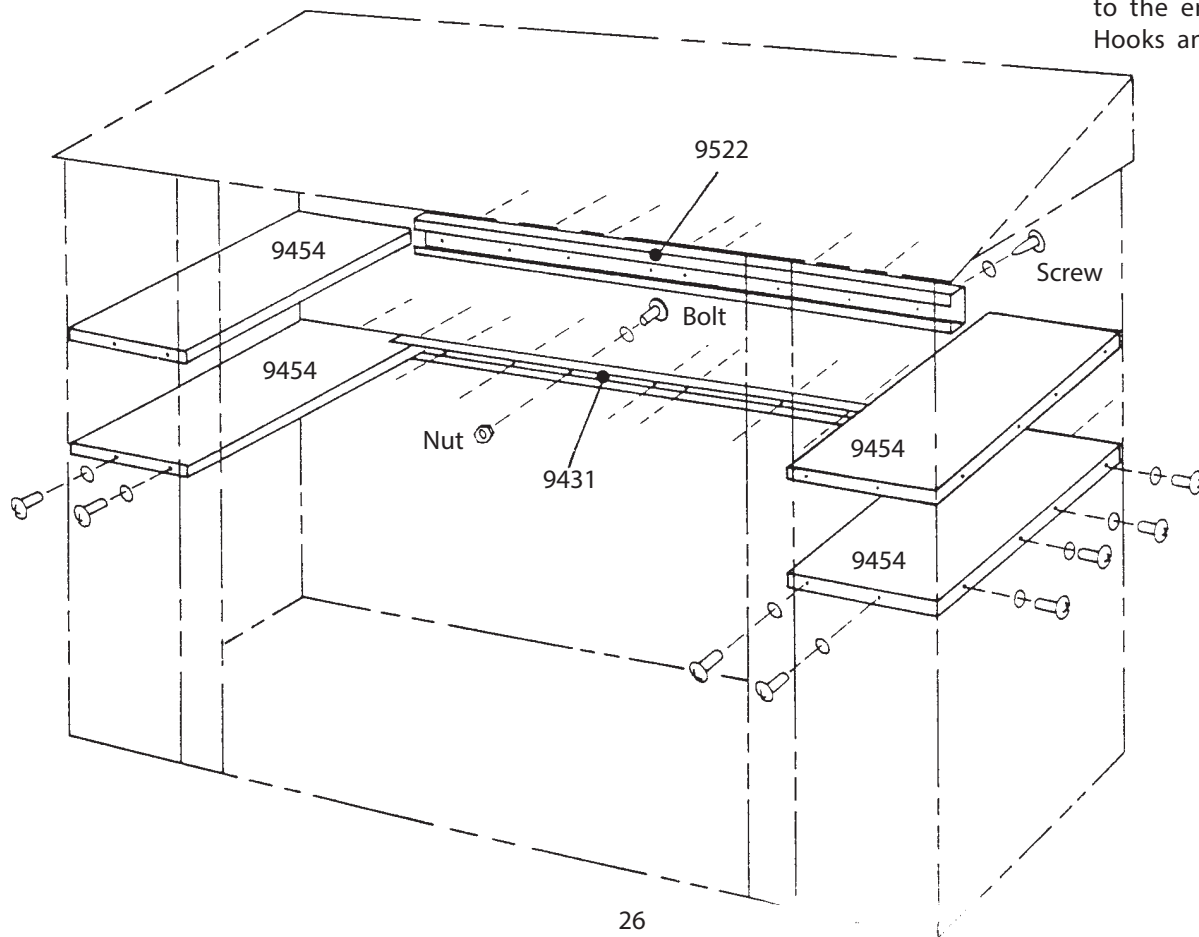
Tool Hooks slide along track to any desired position. Keeps rakes, shovels, brooms and much more in a safe and accessible location.

The Screw Driver Holder is engineered for all types of hand tools such as screwdrivers and pliers. A total of seven hand tools may be stored.



66148 Cap Protector

Install Cap Protectors to the ends of the Tool Hooks and Screw Driver



# CL72 A CL72EU A 697.76085

## Step 12

BN27

### Parts Needed For Door Installation

Right Door Assembly (one)  
Left Door Assembly (one)

**1** Position doors in corners of door opening as shown and fasten hinges with 7/16" (11mm) flat head bolts and #6-32 hex nuts.

**2** The hasp and staple can be used to keep doors closed, or used with a padlock (not supplied) to lock doors. When the spring latch is engaged with hole in door header, this will hold left door closed when not in use.

