

720041014

Owner's Manual & Assembly Guide



* See Inside for Detailed Safety Information.



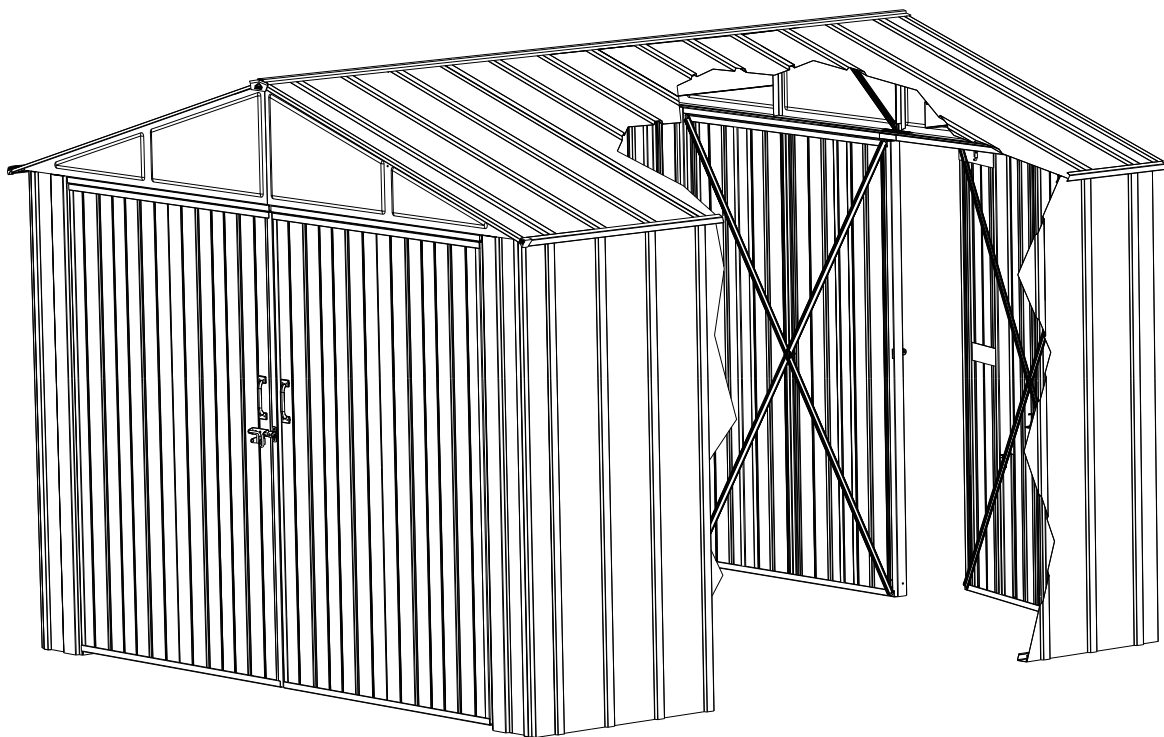
INNOVATION UNDER COVER®

www.arrowsheds.com

COMMANDER™ SERIES MOUNTAINEER™ SERIES

Model No. DKG-A

(Door Kit)



NOTE: These instructions are to be used to add a rear door to an existing Arrow Commander™ or Mountaineer™ Shed. If you are assembling a Commander™ or Mountaineer™ Shed as well as a Door Kit, use the manual included in the main carton (C1GA-A).

Two to three people are required for assembly.

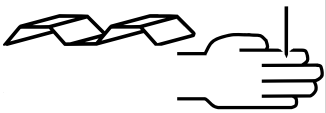
Follow all safety precautions in the Commander™/Mountaineer™ Series Assembly Manual.

Note: It may be helpful to refer to the primary Commander™/Mountaineer™ Series Assembly Manual you used when you first assembled your building. If you have misplaced your original Commander™/Mountaineer™ Series Assembly Manual, it is available online at www.arrowsheds.com or you may request an additional copy from customer service: 1-800-851-1085.

BEFORE YOU BEGIN...

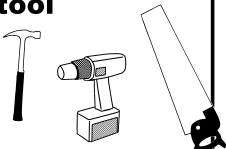
Safety precautions *MUST* be followed at all times throughout the construction of your building!

sharp edges



•Care must be taken when handling various pieces of your building since many contain sharp edges. Please wear work gloves, eye protection and long sleeves when assembling or performing any maintenance on your building.

always practice proper tool safety



•Practice caution with the tools being used in the assembly. Be especially familiar with the operation of all power tools.

no children or pets at worksite



•Keep children and pets away from the worksite during construction. Do not allow children to help with assembly.

beware of wind



•Do NOT attempt to assemble this kit on a windy day. The large panels can catch the wind like a "sail", causing them to be whipped around making construction difficult and unsafe.

don't focus weight on roof



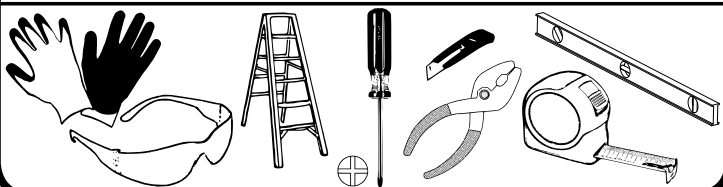
•At least two people must work together to assemble this kit. This will make assembly faster and easier.

•You must securely anchor once assembled in the same manner as your existing Commander™/ Mountaineer™ Shed.

•NEVER concentrate your weight on the roof of the building. When using a step ladder make sure that it is fully open and on even ground before climbing on it.

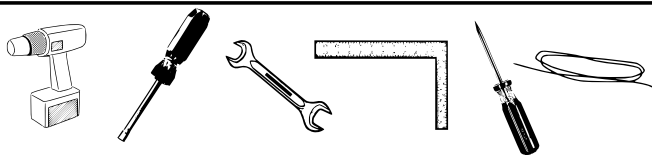
Below is a list of things you will need for installation.

WHAT YOU NEED



- Work Gloves
- Safety Glasses
- Step Ladder
- No. 2 Phillips Screwdriver (Magnetic Tip Preferred)
- Utility Knife or Scissors
- Pliers
- Carpenter's Level
- Tape Measure

RECOMMENDED TIME SAVERS



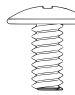
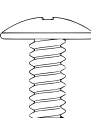

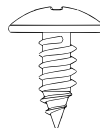
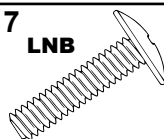
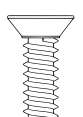

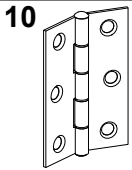
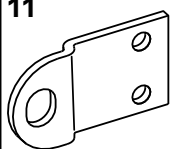
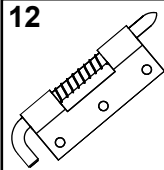
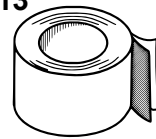
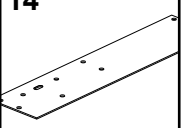
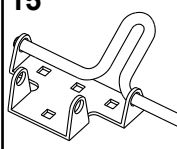
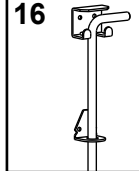
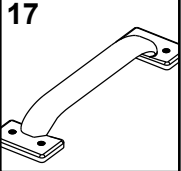


- Power Drill (Cordless, Variable Speed)
- Nut Driver or Wrench
- Square
- String (for squaring the frame)
- Awl (to align holes)

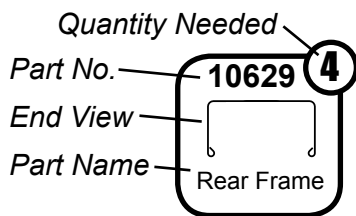
HARDWARE LIST...

Key No.	Part No.	Part Description	Qty.	✓ List
1	65103	Hex Nut (#8-32)	122	
2	65106	Square Nut (#10-32)	20	
3	65923	Small Bolt (#8-32 x 3/8) (10 mm)	86	
4	65943	Large Bolt (#10-32 x 7/16) (11 mm)	14	
5	65004	Small Screw (#8AB x 5/16) (8 mm)	96	
6	66611	Large Screw (#10AB x 1/2) (13 mm)	153	
7	66625	Long Bolt (#10-32 x 3/4) (19 mm)	2	
8	66783	Flat Head Screw (#8-32 x 1/2) (13 mm)	36	
9	66646	Washer Sheet	4	
10	66609	Hinge	6	
11	66778	Lock Eyelet	1	
12	66781	Spring Latch	1	
13	67293	Weather Stripping	1	
14	10651	Latch Plate	3	
15	66779	Slide Bolt	1	
16	66780	Cane Bolt	2	
17	66782	Door Handle	2	

Hardware Views by Key No.

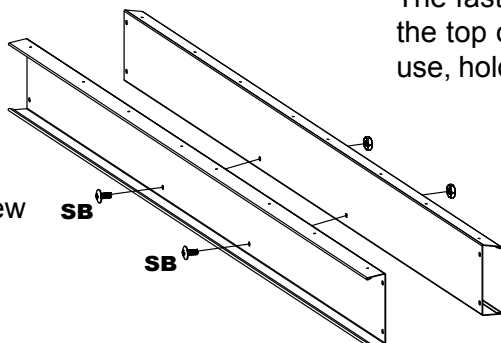
 11/32 Hex.	 #10-32	 #2 Phillips SB
 #2 Phillips LB	 #2 Phillips SS	 #2 Phillips LS
 #2 Phillips LNB	 #2 Phillips FS	
		
		
		

At the top of each page you will see one or more **Part Cues** like the one to the right. These **Part Cues** are designed to help you quickly identify the parts needed for each step.

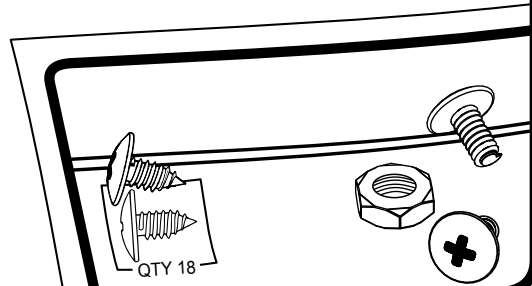


Various fasteners are used throughout the construction of your kit. In each step you will see the abbreviations listed below used in the illustrations to help you identify which fastener to use.

- SB** - Small Bolt
- SS** - Small Screw
- LB** - Large Bolt
- LS** - Large Screw
- FS** - Flat Head Screw
- LNB** - Long Bolt



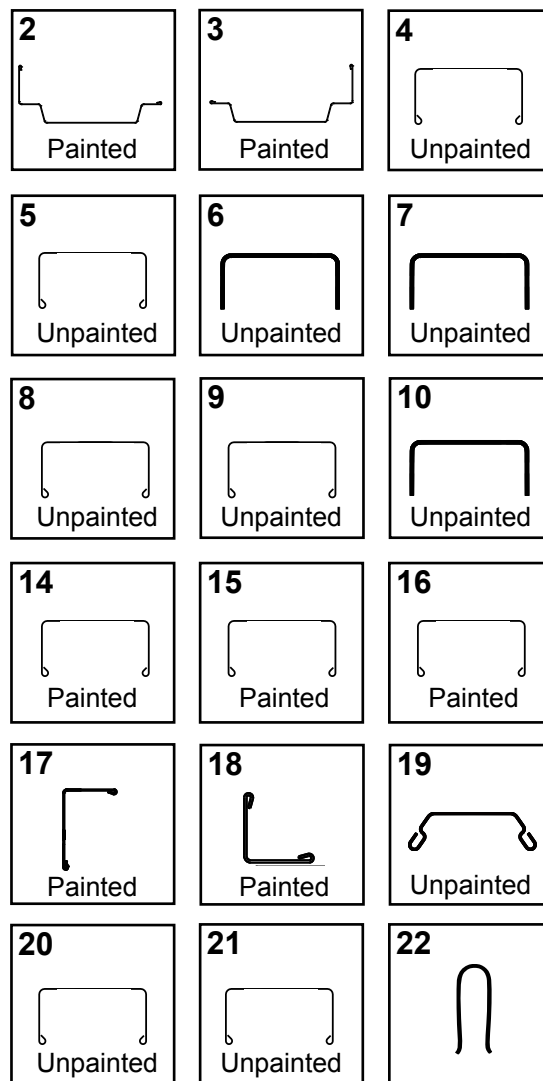
The fasteners used in each step are shown actual size at the top of each page. If you are unsure which fastener to use, hold it up to the picture and use the one that matches.



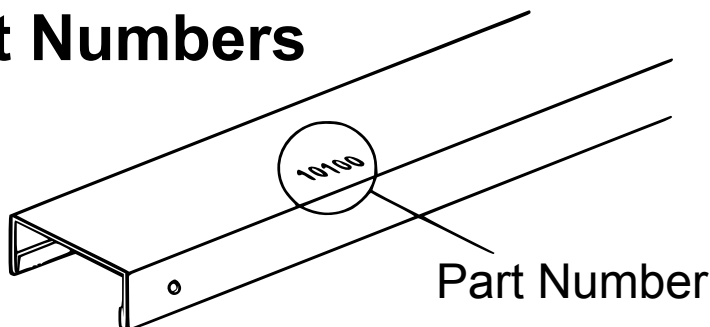
PARTS LIST...

Key No.	Part No.	Part Description	Qty.	✓ List
1	10618	Front Wall Panel	2	
2	10622	Right Door Jamb	1	
3	80037	Left Door Jamb	1	
4	10627	Front Wall Channel	6	
5	10628	Front Wall Diagonal	4	
6	10878	Long Fascia	1	
7	10879	Short Fascia	1	
8	10640	Wall Post	2	
9	10652	Wall Post (Hinge)	2	
10	10880	Front Frame	2	
11	10623	Door Panel (Hinge)	2	
12	10624	Right Door Panel	1	
13	80051	Left Door Panel	1	
14	10635	Horizontal Door Brace	4	
15	10678	Vertical Door Brace (Latch)	2	
16	10637	Vertical Door Brace (Hinge)	2	
17	10647	Top Door Trim	2	
18	10648	Door Astragal	2	
19	10626	Door Diagonal Brace	8	
20	10636	Vertical Door Brace	4	
21	10675	Cane Bolt Bracket	2	
22	69835	Edge Trim (Green)	2	

Selected End Views by Key No.



Part Numbers



1. Each part has an identifying part number on it.
2. Part Numbers are referenced in each step.
3. Unpainted parts have a stamped in number and painted parts have a number that is inked on.

Remove inked on numbers with soap and water after assembly.

Confirm that all hardware and parts are present before attempting to assemble your kit.

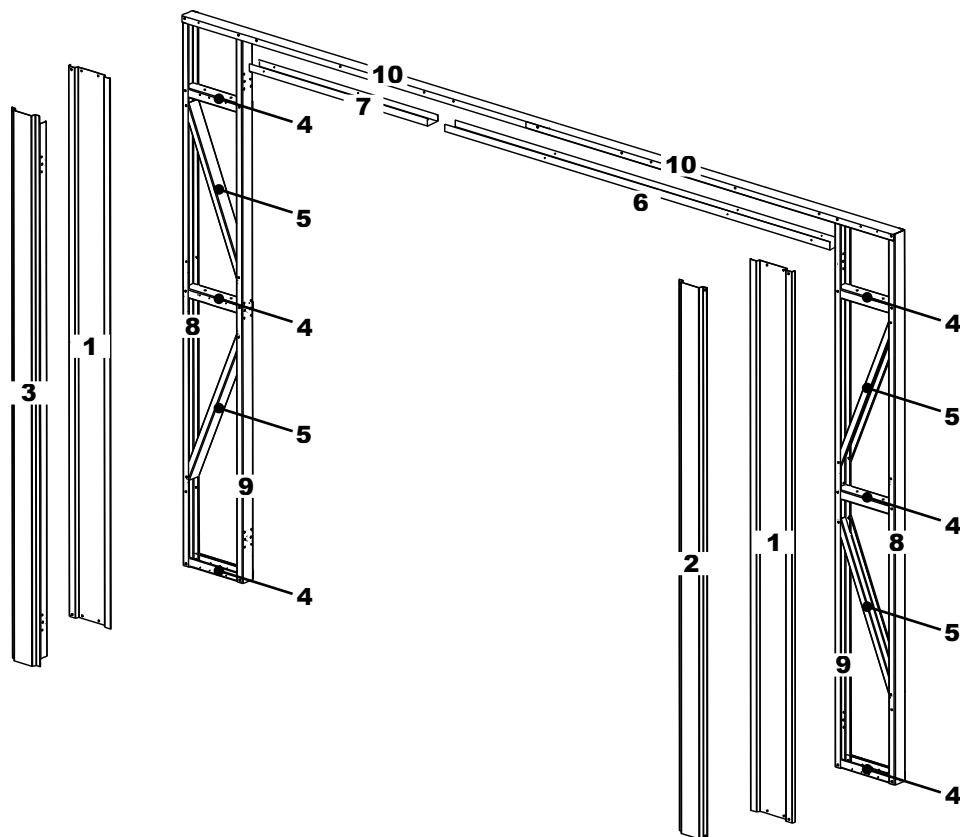
For missing or damaged parts, contact Customer Service. Do not return to store.

Customer Service:

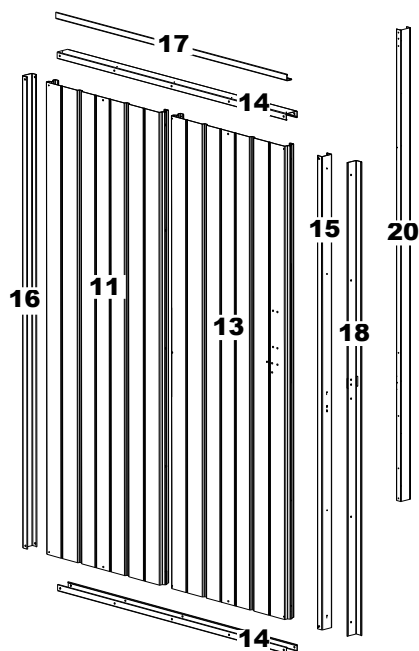
1-800-851-1085 or
assist@arrowsheds.com

ASSEMBLY BY KEY NO.

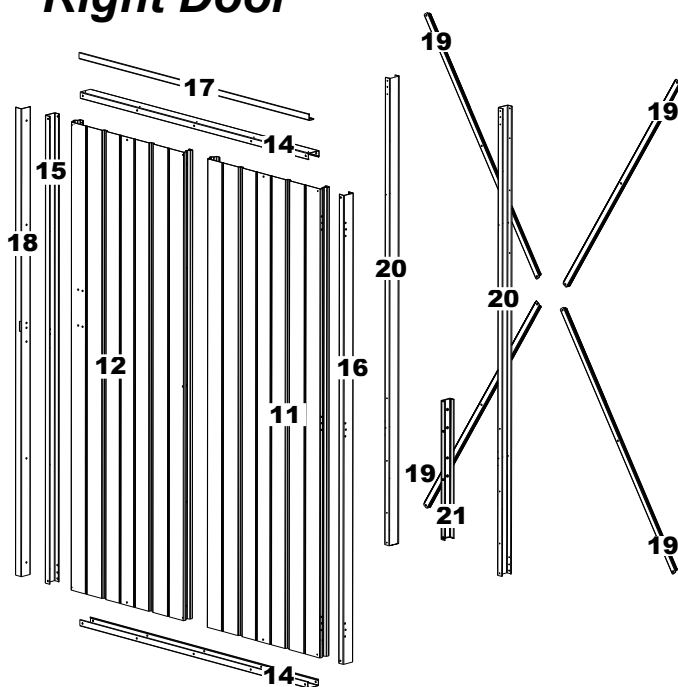
Door Kit



Left Door



Right Door



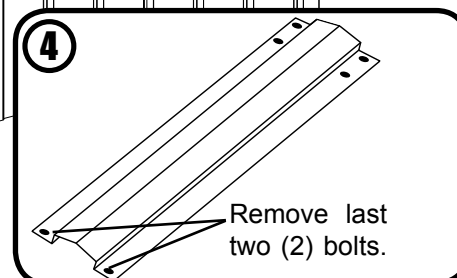
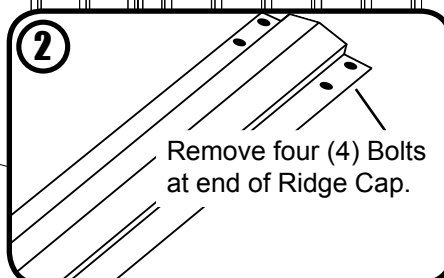
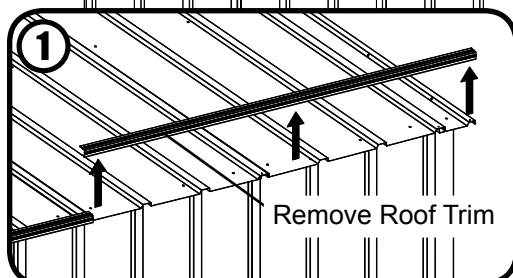
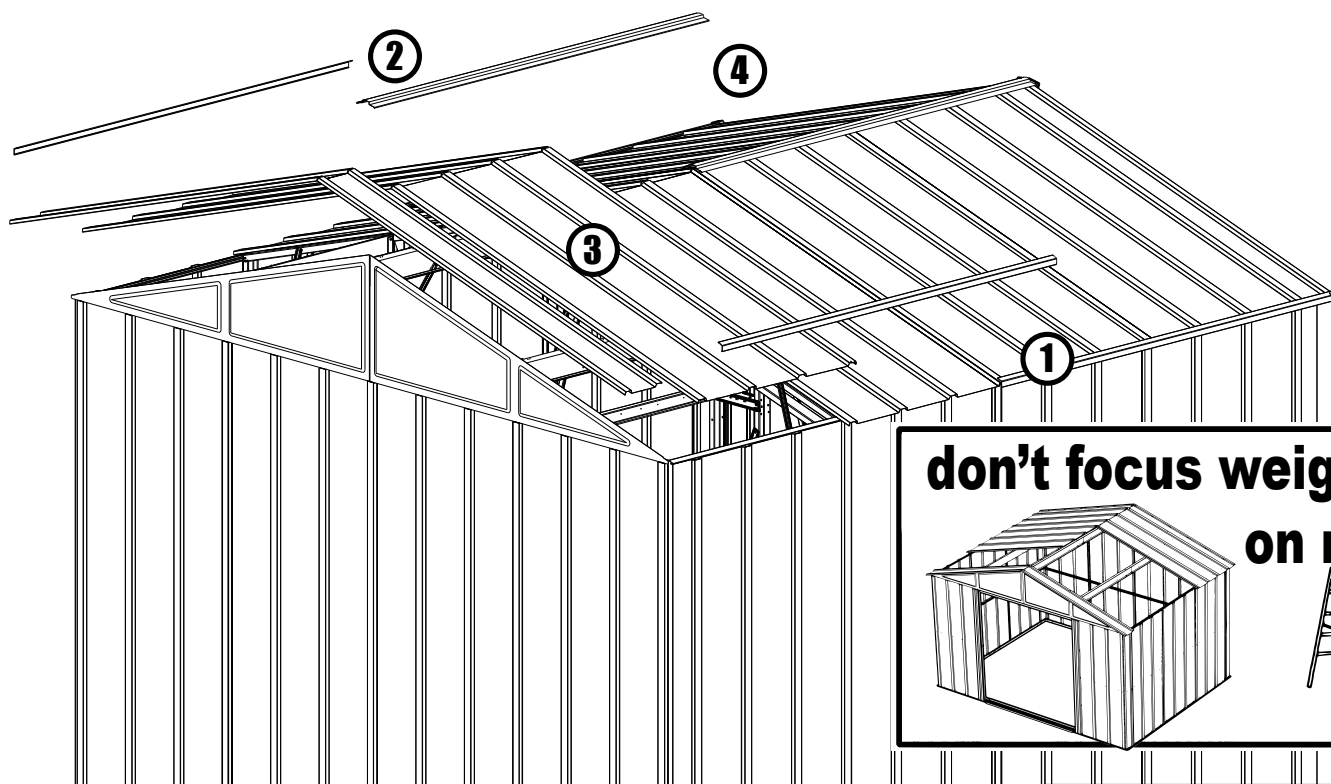
Step 1: Disassemble Rear Wall

Remove Parts:

- Roof Trim Cap (2)
- Roof Trim (2)
- Peak Cap (1)
- Roof Panel (2)
- End Roof Panel (2)
- Ridge Cap (1)

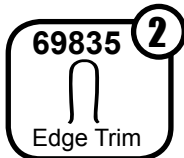
IMPORTANT: Take care in removing parts from building. They will be reused later.

- 1** Remove the rear **Roof Trim Caps** and **Roof Trim** from both sides of building.
- 2** Remove **Peak Cap** and four (4) **Bolts** and **Nuts** from rear **Ridge Cap**.
- 3** Remove the last full-size **Roof Panel** and **End Roof Panel** from both sides of building.
- 4** Remove the rear **Ridge Cap** by removing two (2) **Bolts** and **Nuts** towards middle of building.



Step 1: Continued

You will need for this page:



Remove Parts:

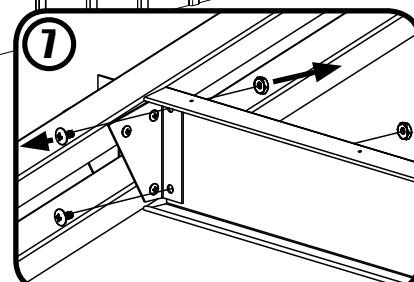
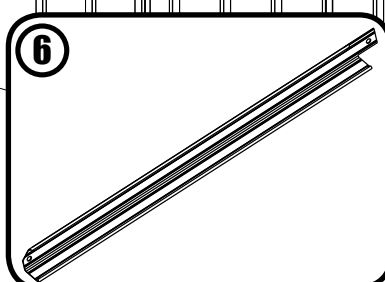
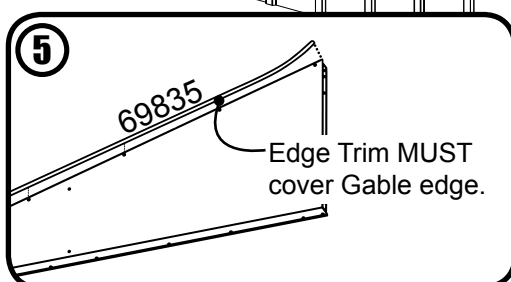
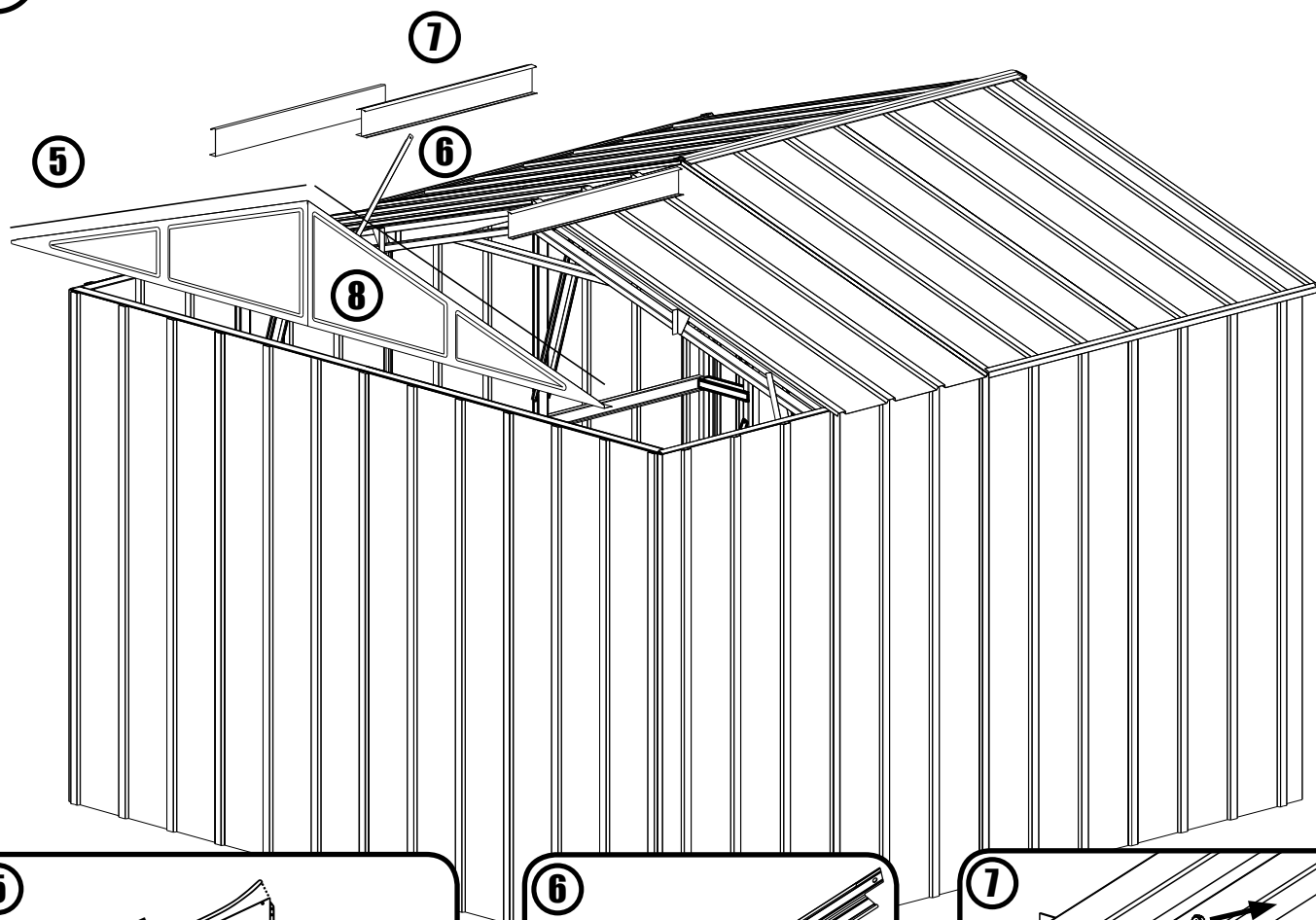
- Roof Beam Brace (1)
- Roof Beam (4)
- Gable (2)
- Track Support (2)
- Gable Brace (1)



Install Edge Trim to cover Gable Edge BEFORE doing ANY work with Gables. Failure to do so could result in injury.

- 5 Install **Edge Trim** to top edge of **Gables**.
- 6 Remove **Roof Beam Brace**.
- 7 Remove two (2) side and main **Roof Beams**.
- 8 Remove **Gable Brace, Track Supports, and Gables**.

IMPORTANT: Take care in removing parts from building. They will be reused later.



Step 1: Continued

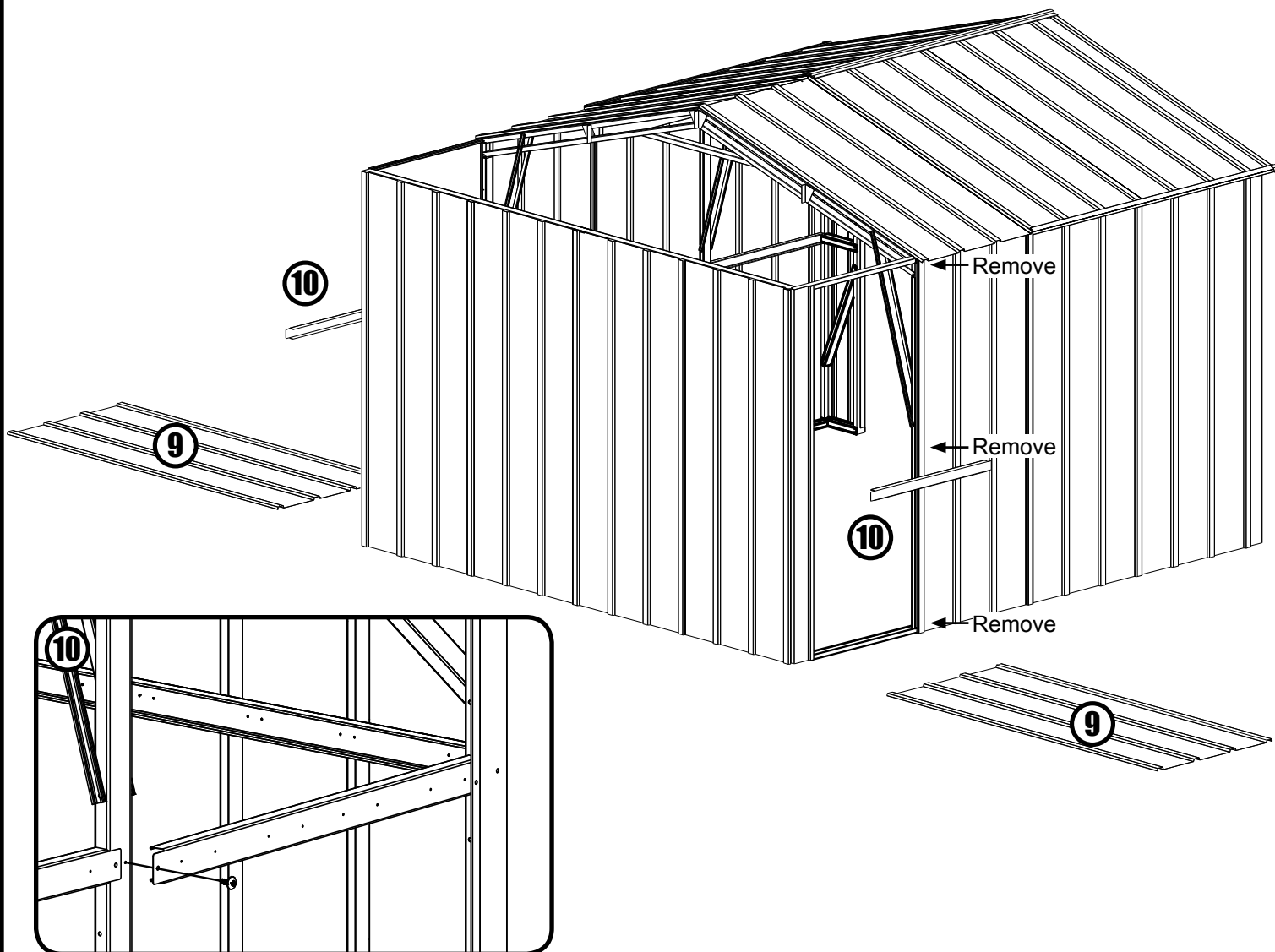
Remove Parts:

- Wall Panel (2)
- Side Wall Channel (2)

IMPORTANT: Take care in removing parts from building. They will be reused later.

9 Remove last **Wall Panel** from both sides of the building. Remove top, middle, and bottom **Screws** on **Adjacent Wall Panel** as shown.

10 Remove **Side Wall Channel**.



Step 1: Continued

Remove Parts:

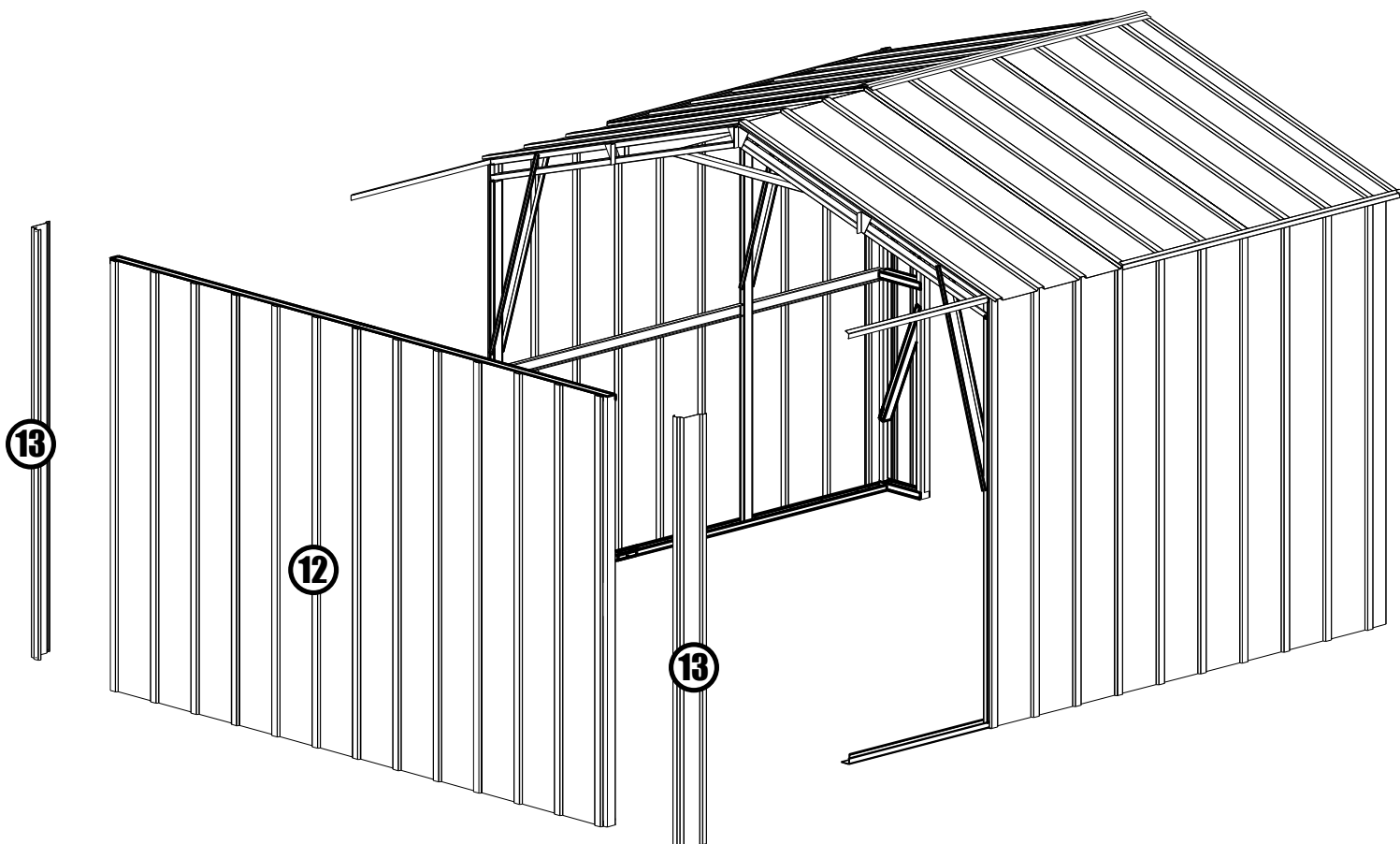
- Corner Panel (2)

IMPORTANT: Take care in removing parts from building. They will be reused later.

11 Remove **Anchor Bolts** from rear wall.

12 Remove rear wall from building.

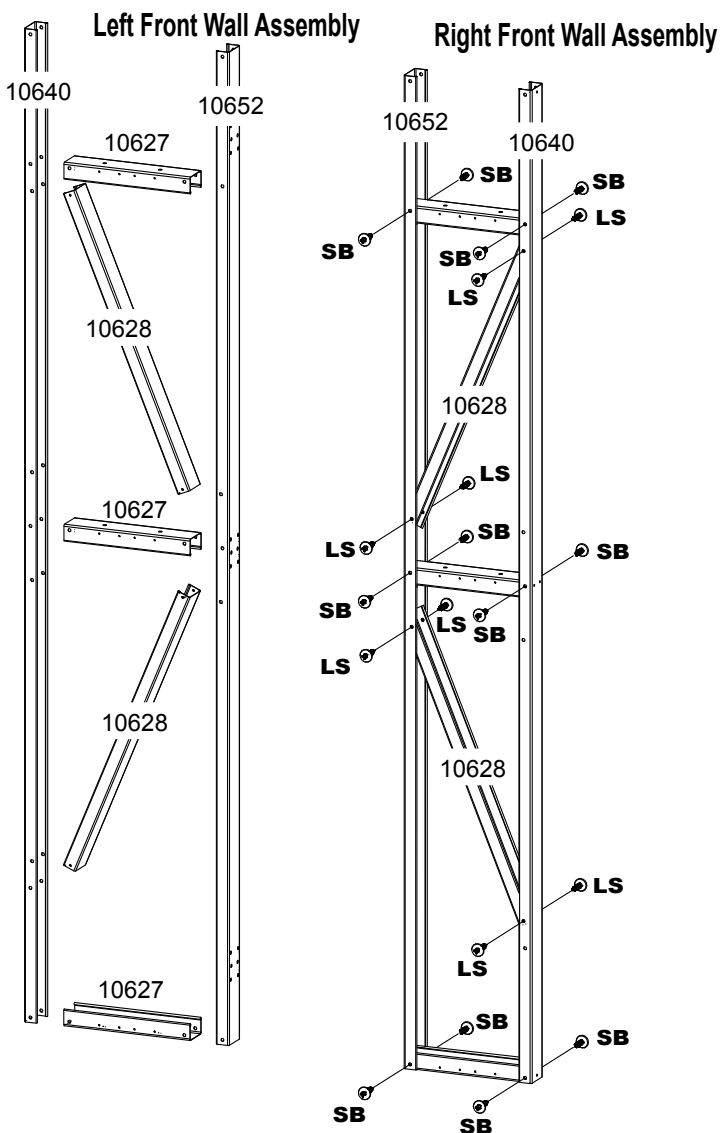
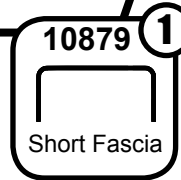
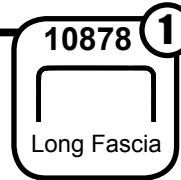
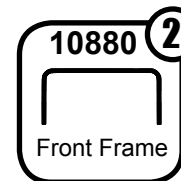
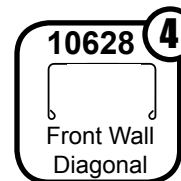
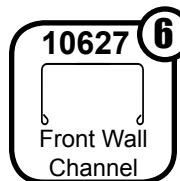
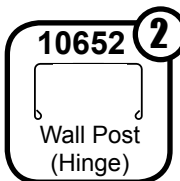
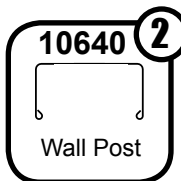
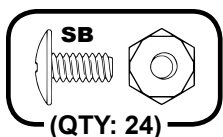
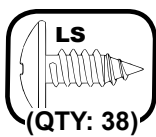
13 Remove rear **Corner Panels**.



IMPORTANT: TWO (2) PEOPLE SHOULD BE SUPPORTING THE REAR WALL AS IT IS UNFASTENED!

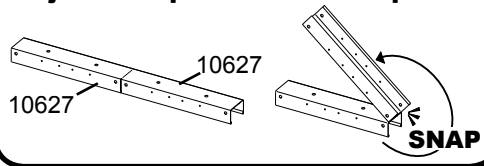
Step 2: New Rear Wall Assembly

You will need for this page:

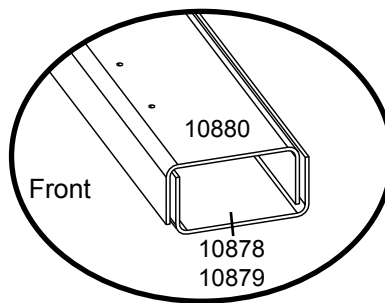


- 1** Lay out the parts and position them as shown. Double check that holes align as shown. If holes do not align, the **Wall Post (Hinge)** is most likely upside-down.
- 2** Insert the **Front Wall Channels** into the **Wall Post** and **Wall Post (Hinge)** as shown and secure with **Small Bolts and Nuts**.
- 3** Insert **Front Wall Diagonals** into the **Front Wall Assembly** as shown and secure with **Large Screws**.
- 4** Assemble two (2) **Front Frames** together with the **Long** and **Short Fascias** as shown below and secure using **Large Screws**.

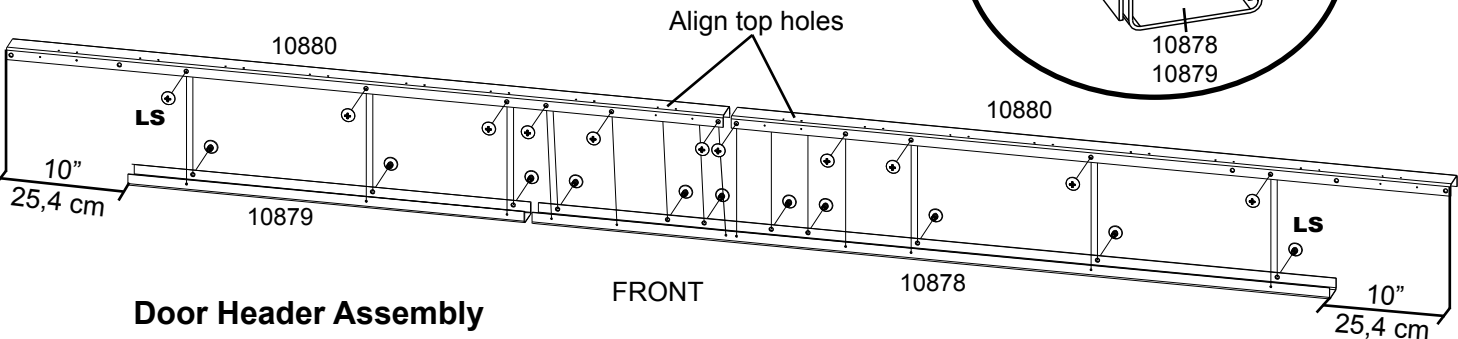
Part 10627 Front Wall Channel may be joined in pairs. Bend to separate.



Overlap View



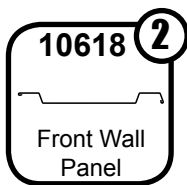
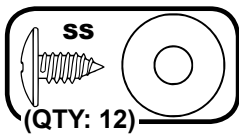
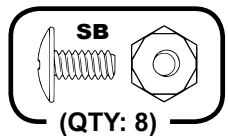
Front Frame faces outside of building.



Door Header Assembly

Step 2: Continued

You will need for this page:

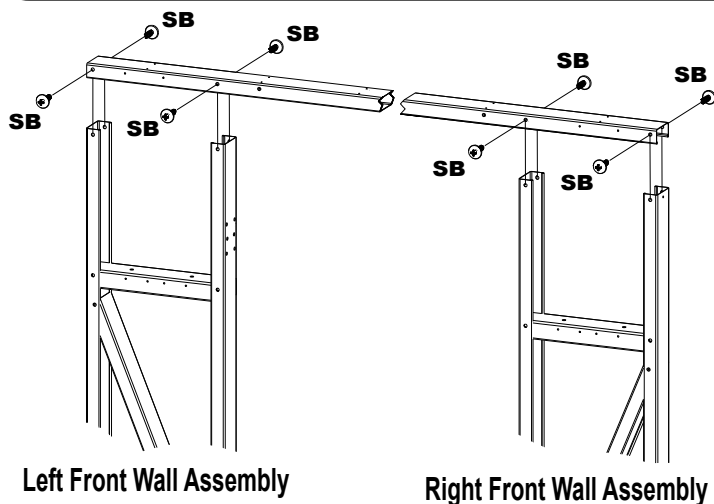


Assemblies from previous page:

- Left Front Wall Assembly
- Right Front Wall Assembly
- Door Header Assembly

Reused Parts:

- Corner Panel (2)

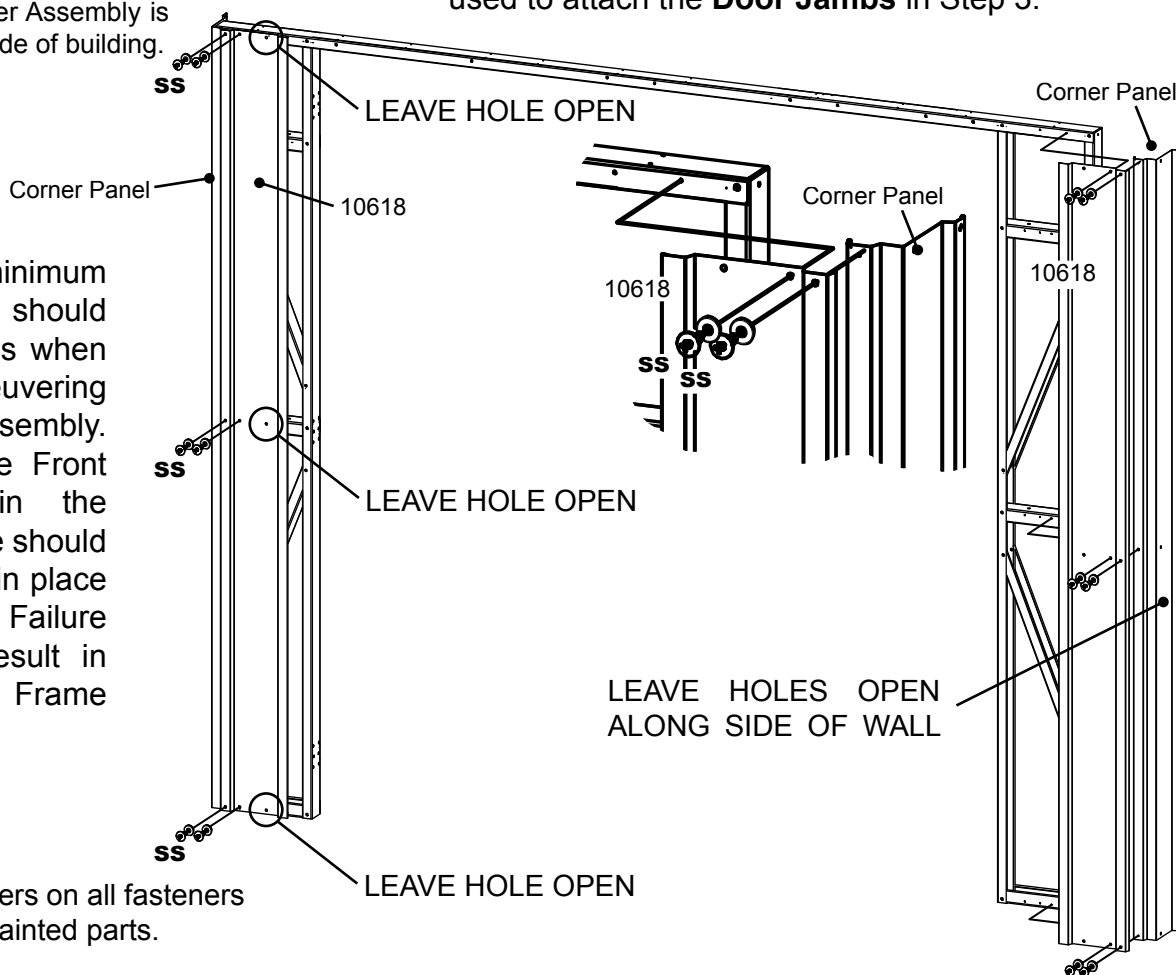


5 Slide the **Door Header Assembly** down onto the **Front Wall Assemblies** as shown and secure with **Small Bolts** and **Nuts**. Once these pieces are joined, take care when moving them as the **Door Header** may bend.

6 Using **Small Screws**, attach a **Front Wall Panel** and **Corner Panel** to each corner of the **Front Wall** as shown. Reuse **Corner Panels** from original unit. The **Corner Panel** should only be secured to the **Front Wall Panel** where the **Panels** overlap. Do not secure the **Corner Panel** to the **Front Wall** itself, this will be done in Step 3. Also, leave the holes closest to the **Door** open in the **Front Wall Panel**. These will be used to attach the **Door Jambs** in Step 3.

NOTE Confirm Front Frame of Door Header Assembly is facing outside of building.

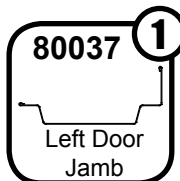
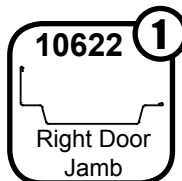
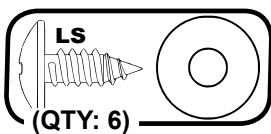
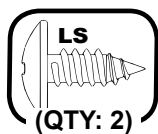
IMPORTANT: A minimum of two (2) people should be used at all times when handling or maneuvering the Front Wall Assembly. When installing the Front Wall Assembly in the building, two people should hold the Assembly in place until it is secure. Failure to do so could result in bending the Front Frame and Fascia pieces.



NOTE Use washers on all fasteners used on painted parts.

Step 3: New Rear Wall Install

You will need for this page:

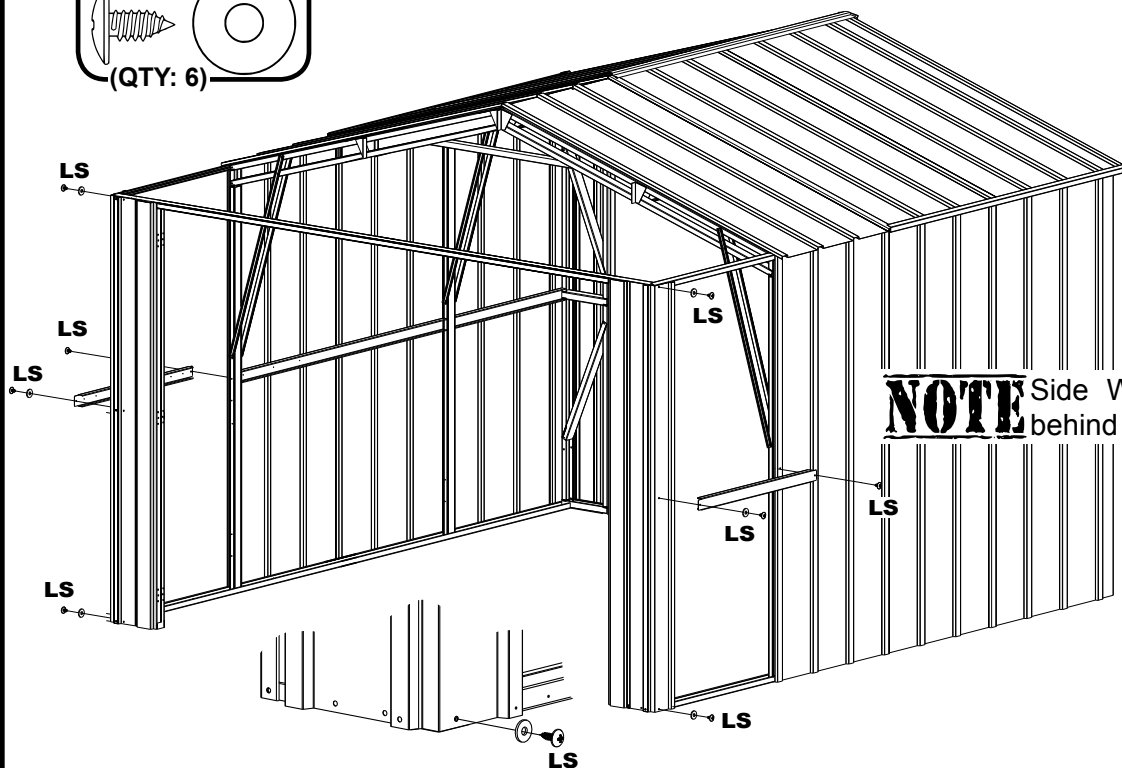
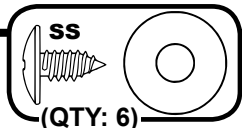


Assemblies from Step 2:

- New Rear Wall Assembly

Reused Parts:

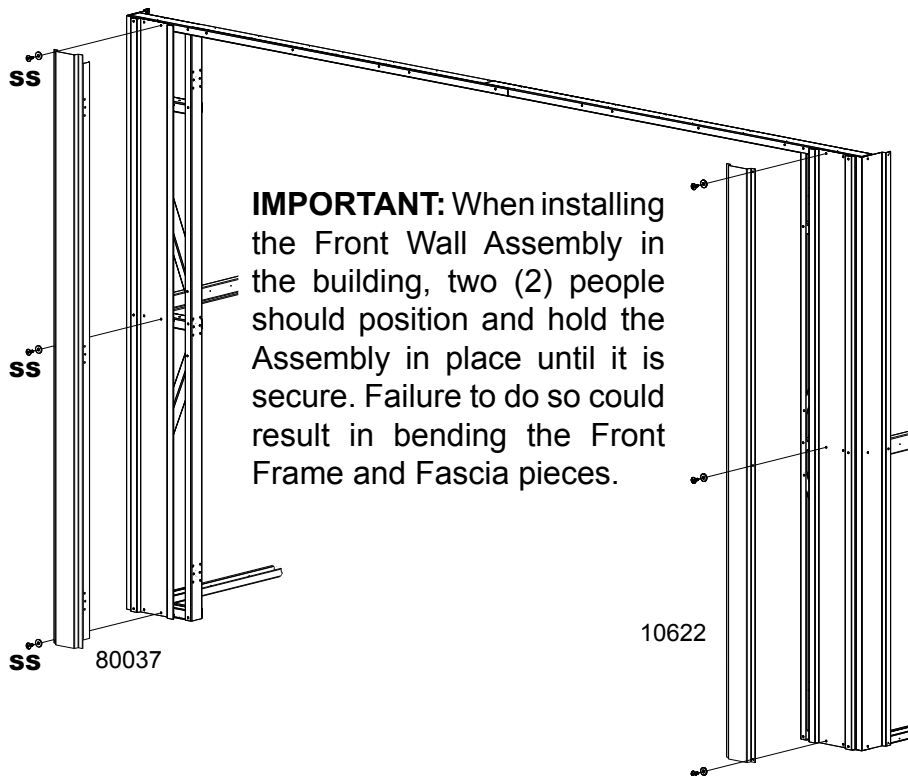
- Side Wall Channel (2)



NOTE Side Wall Channel will attach behind Wall and Corner Panels.

1 Carefully position the **New Rear Wall Assembly** as shown and secure with four (4) **Large Screws** on both sides to **Floor Frame** and **Side Angle**. Reuse **Side Wall Channels** from original unit and attach using four (4) **Large Screws** as shown.

2 Position the **Door Jamb** as shown and secure to the **Front Wall Panel** using **Small Screws**. Double check that the holes in the **Door Jamb** line up with the holes in the **Wall Post (Hinge)**. If they do not, the **Left and Right Door Jamb** are most likely switched.

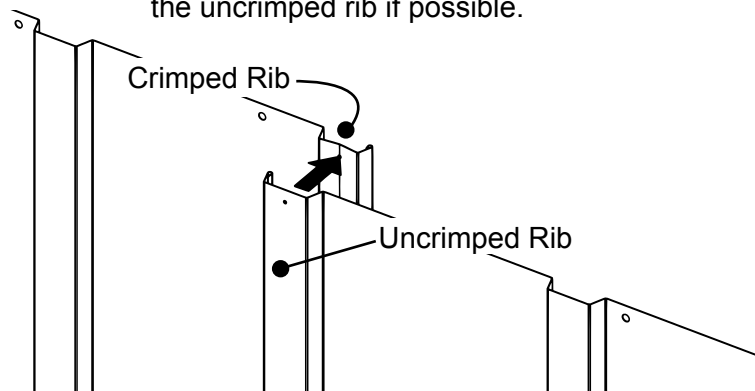


IMPORTANT: When installing the Front Wall Assembly in the building, two (2) people should position and hold the Assembly in place until it is secure. Failure to do so could result in bending the Front Frame and Fascia pieces.

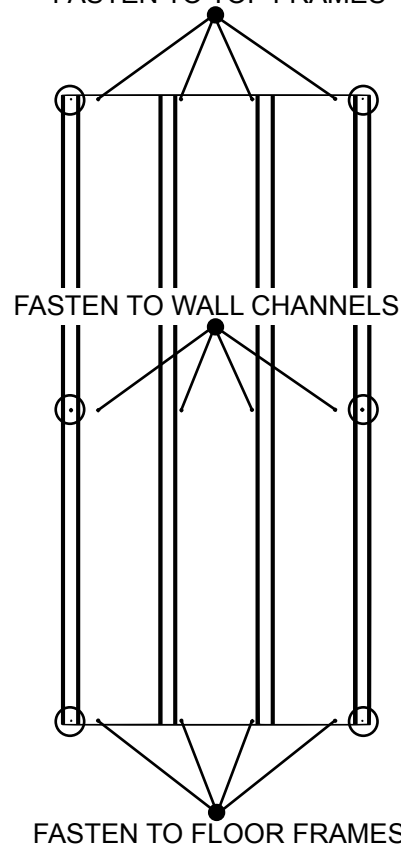
Step 4: Wall Panels

NOTE

Whenever a crimped rib and an uncrimped rib meet, the crimped rib should be placed UNDER the uncrimped rib if possible.



FASTEN TO TOP FRAMES

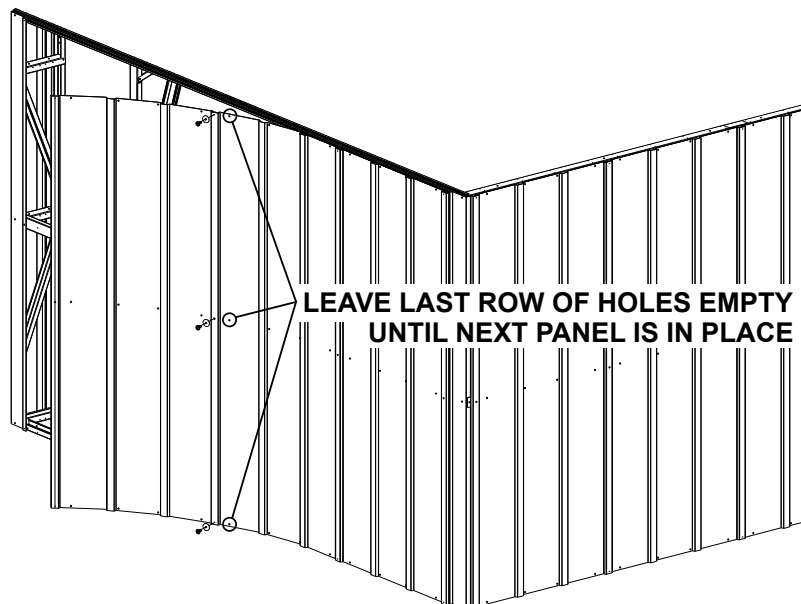


NOTE

Use the diagram to the right when attaching Wall Panels.

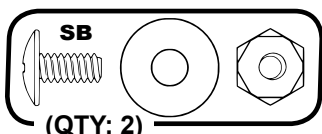
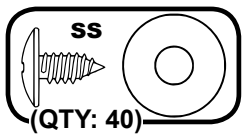
- Secure the top row to Top Frames
- Secure the middle row to Wall Channels
- Secure the lower row to Floor Frames
- Secure the circled holes to the Panel next to it

IMPORTANT: When installing the Wall Panels over a Truss, you will need to 'roll' the Panels as shown to be able to attach the next Panel at the overlap. When securing the Panel to the building with Small Screws, do not insert Screws in the row of holes closest to the last rib of the Panel. Next, roll the Panel back slightly and attach the next Panel at the overlap with a Bolt and Nut in the center hole. Once this is done, continue securing the Panel to the building.



Step 4: Continued

You will need for this page:



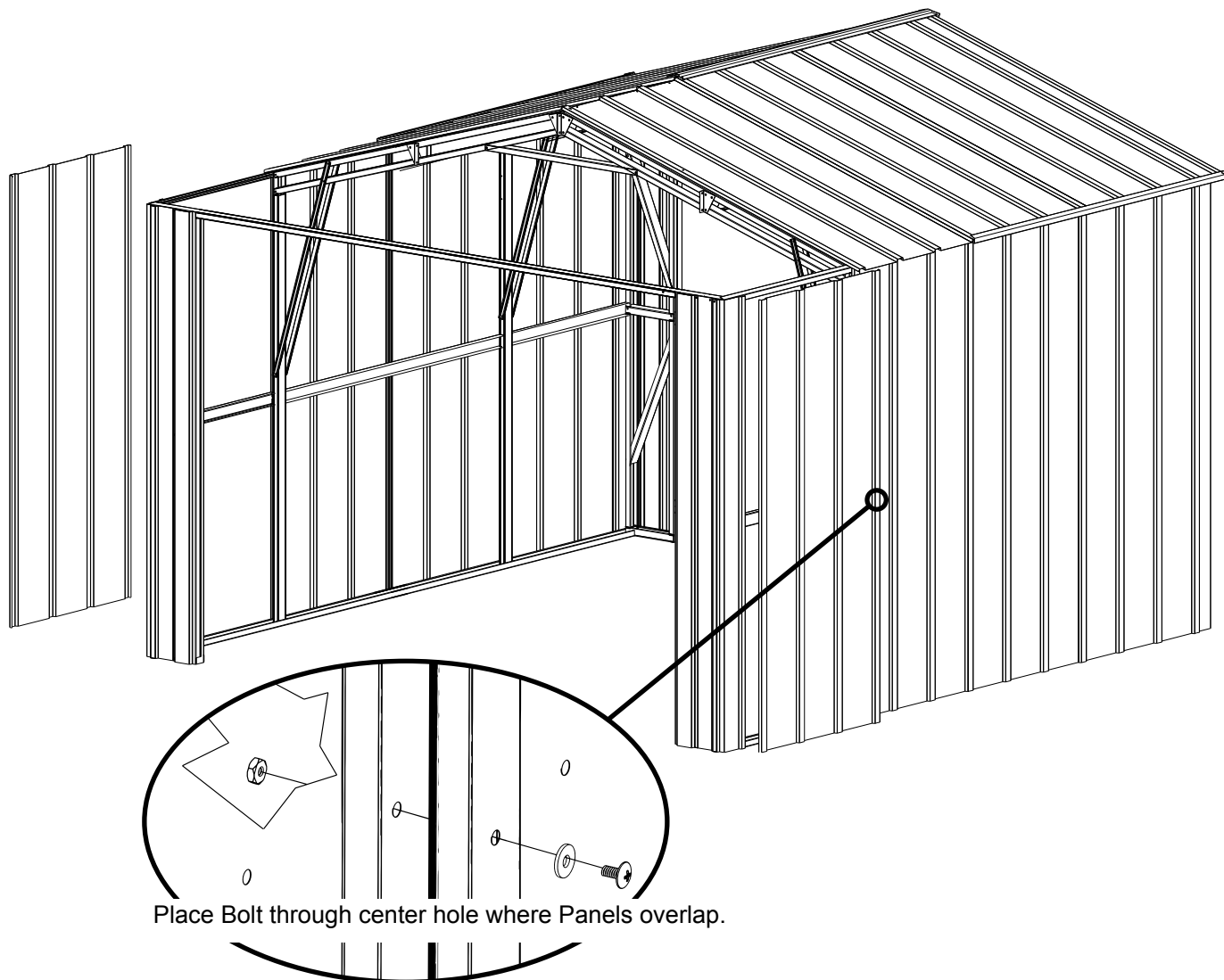
Reused Parts:

- Wall Panel (2)

NOTE

Use washers on all fasteners used on painted parts.

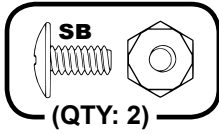
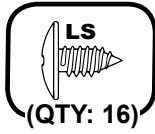
- 1 Working one side at a time, lift the **Wall Panel** into place and secure the **Wall Panel** with one (1) **Bolt** and **Nut** through the center hole at the overlap (see below). Resecure **Adjacent Wall Panel** to building with three (3) **Small Screws** through top, middle, and bottom holes.
- 2 Secure **Wall Panel** with four (4) **Small Screws** in the top of the **Wall Panel**, four (4) **Small Screws** in the middle of the **Wall Panel**, and four (4) **Small Screws** in the bottom of the **Wall Panel**.
- 3 Secure rib overlaps using five (5) **Small Screws**. Repeat for other **Wall Panel**.



Place Bolt through center hole where Panels overlap.

Step 5: Gables

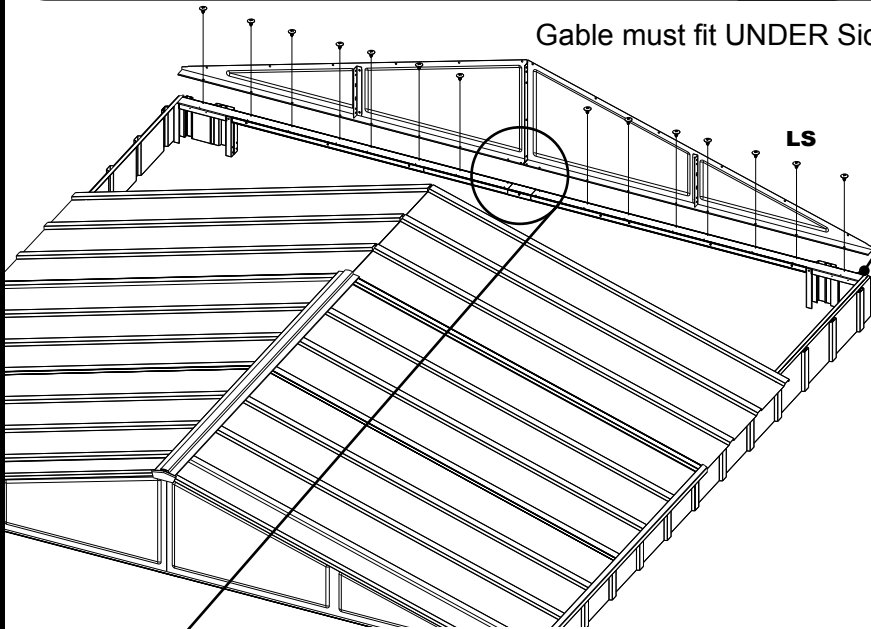
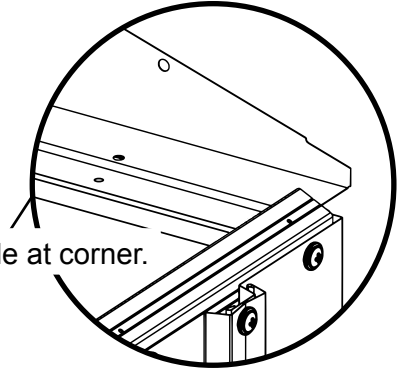
You will need for this page:



Reused Parts:

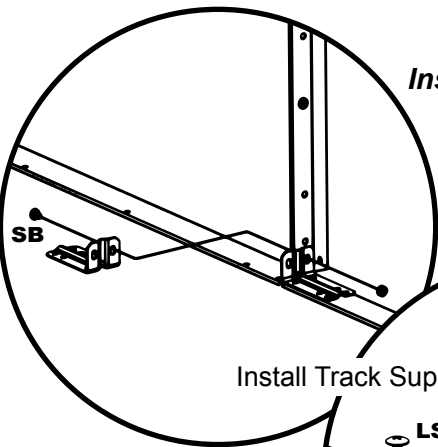
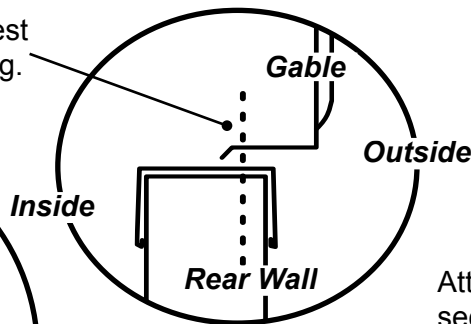
- Left Gable (1)
- Right Gable (1)
- Gable Brace (1)
- Track Support (2)

Gable must fit UNDER Side Wall Angle at corner.

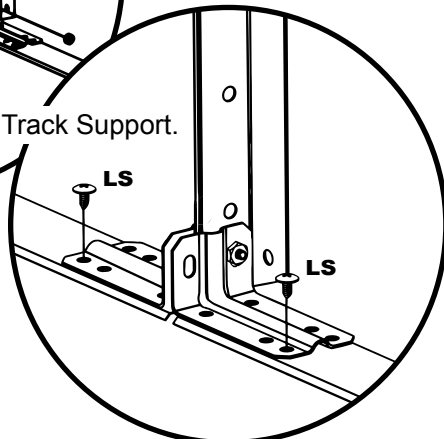


Leave two holes open on each side of the Gable peak to attach Track Support.

Attach Gable to holes closest to the outside of the building.

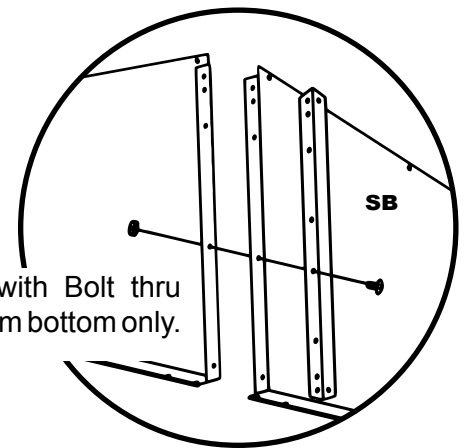


Install Track Support.



1 Working with one **Gable** at a time, attach the **Gables** to the top **Rear Frame** with **Large Screws**. Do not insert screws into the two (2) holes closest to where the **Gables** join. These will be used to attach the **Track Support** later.

2 To secure **Gables** together, position the **Gable Brace** as shown below and insert a single **Small Bolt** and **Nut** through the second hole from the bottom only.

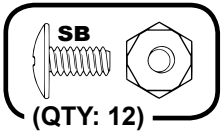


Attach Brace with Bolt thru second hole from bottom only.

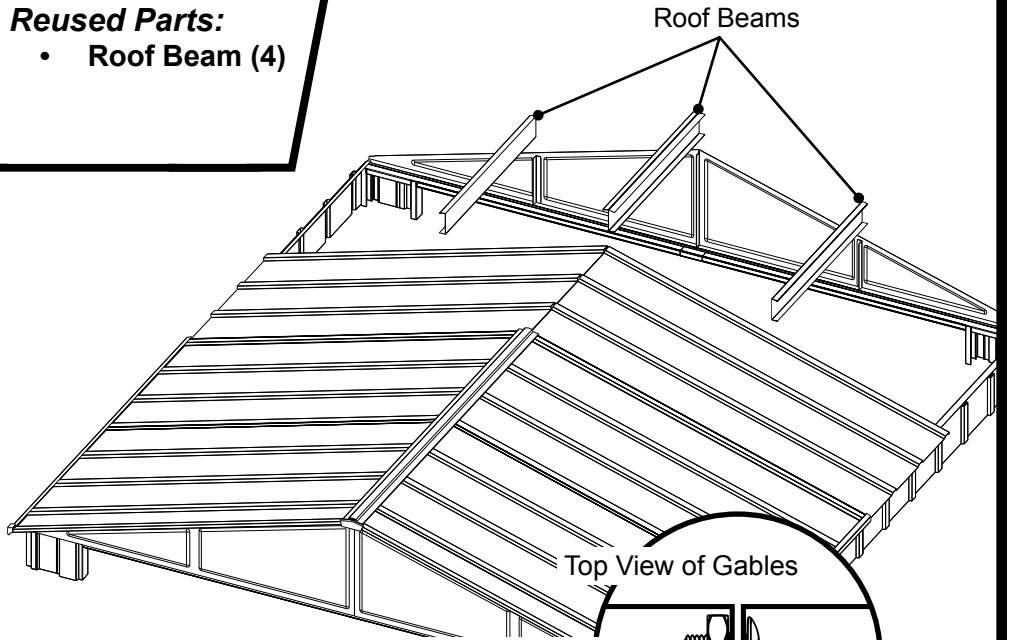
3 Position **Track Supports** as shown. Secure **Track Supports** to **Gable** using one **Small Bolt** and **Nut**. Secure to **Rear Frame** using two (2) **Large Screws**.

Step 5: Continued

You will need for this page:



Reused Parts:
• Roof Beam (4)



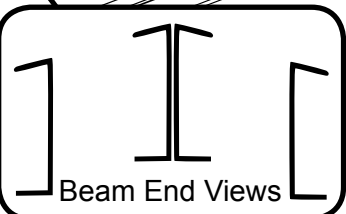
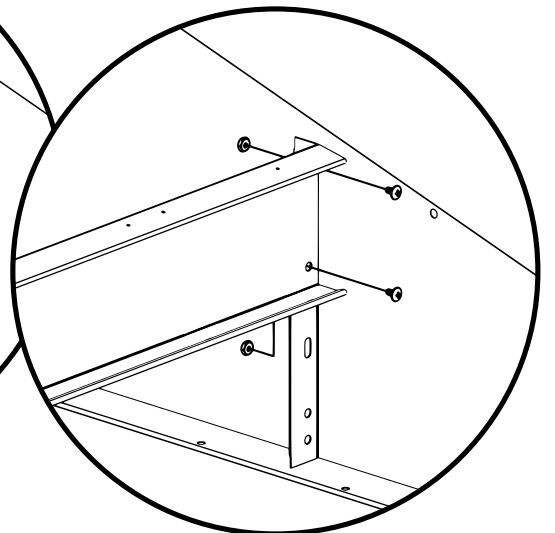
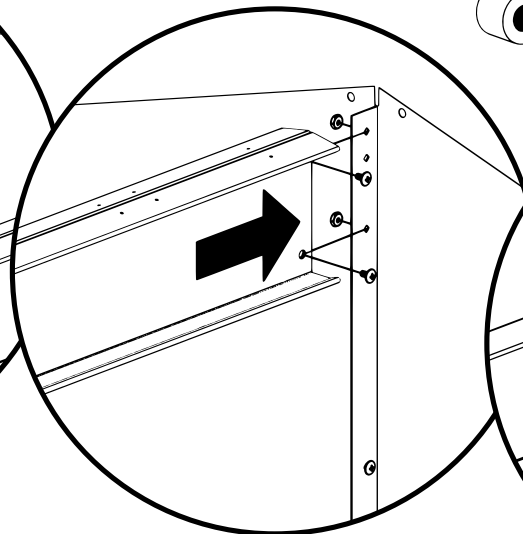
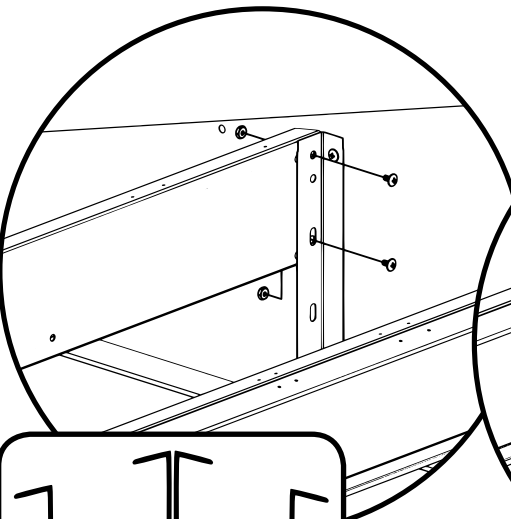
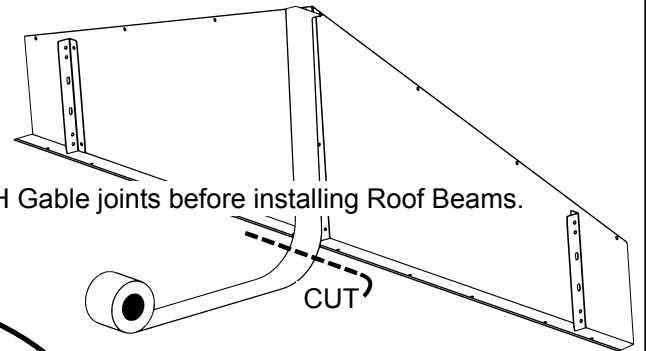
4 Seal the gap between the **Gables** using the **Weather Stripping Tape** as shown.

Tape should wrap around gap between Gables.

Weather Stripping Tape

5 Position the **Roof Beams** as shown below and attach to **Gable** and **Truss** using two (2) **Small Bolts** and **Nuts** per side. Install the **Main Beam** first.

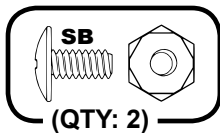
Tape BOTH Gable joints before installing Roof Beams.



Side of Beams with small holes must face up.

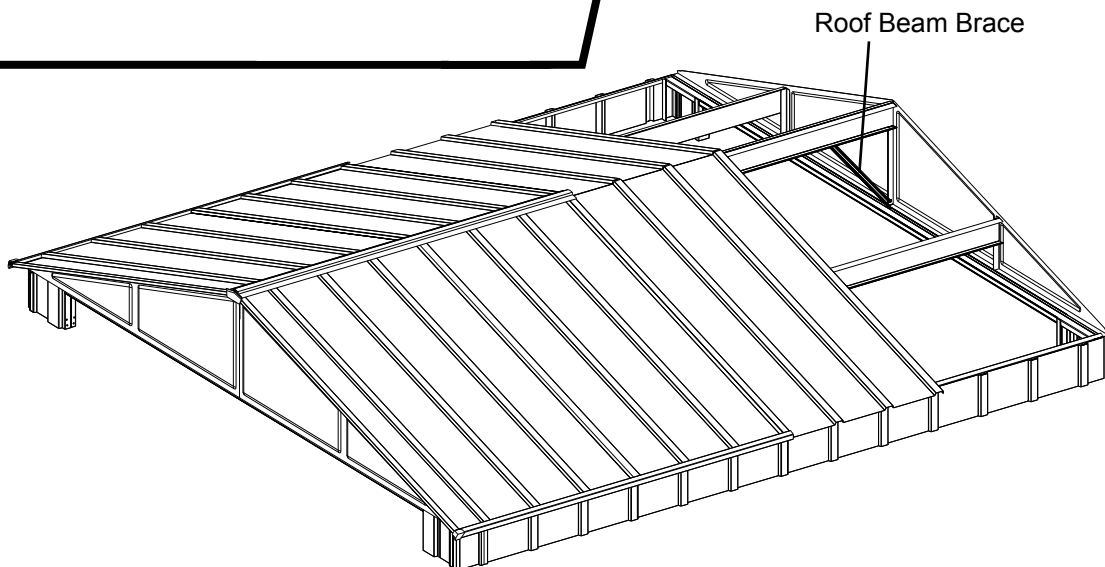
Step 5: Continued

You will need for this page:



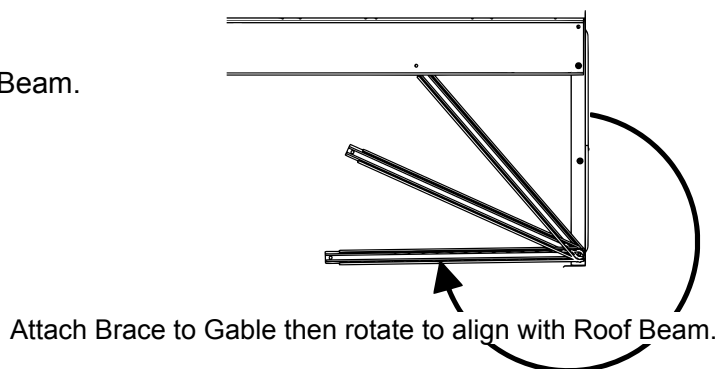
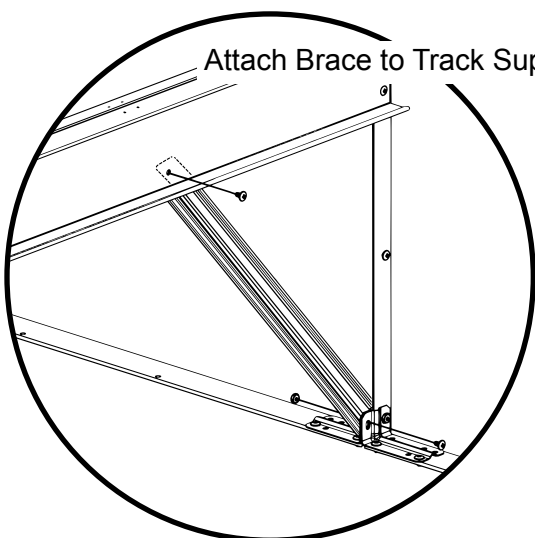
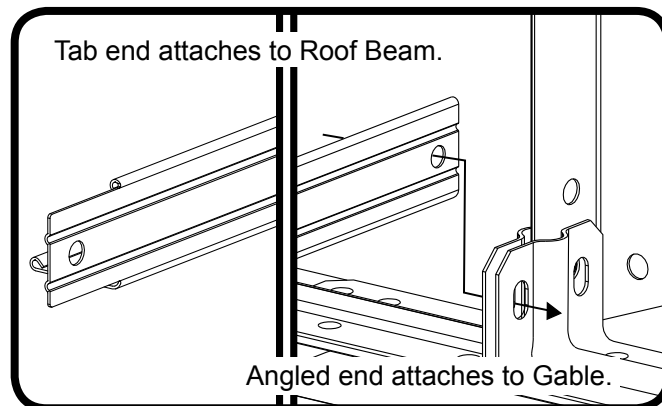
Reused Parts:

- Roof Beam Brace (1)



6 Attach the **Roof Beam Brace** to the **Track Support** with one (1) **Small Bolt** and **Nut** as shown.

7 Rotate to align with **Roof Beam** and secure to **Roof Beam** with one (1) **Small Bolt** and **Nut** as shown.

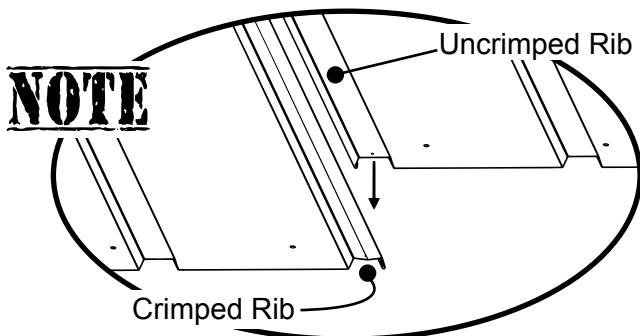
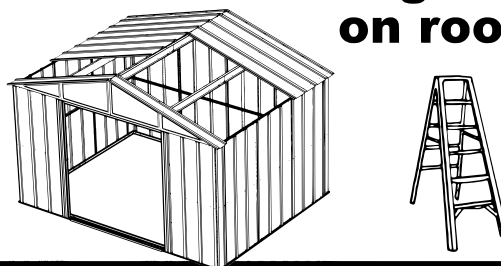


Roof Install Prep Page

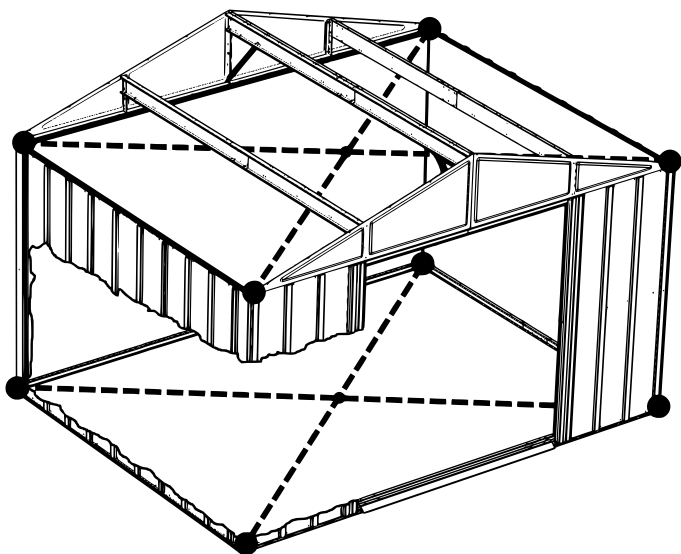
Read through all of Roof Assembly before beginning Step 6.

IMPORTANT: At this time, take a moment to ensure the building is level and square. Measure the building diagonally again to make sure the building is square. The building should be square at the base and at the top. This will make Roof Panels fit better and holes will better align.

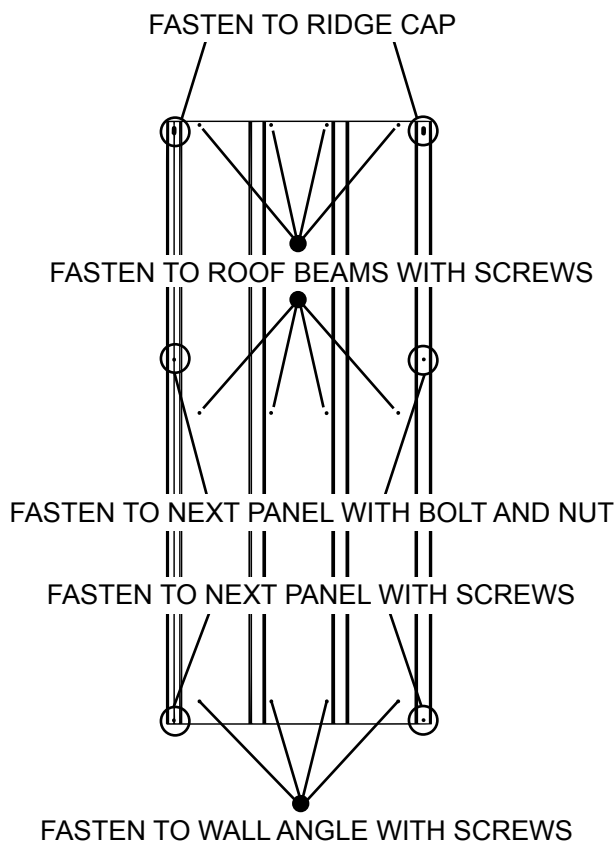
**don't focus weight
on roof**



Whenever a crimped rib and an uncrimped rib meet, place the crimped rib **UNDER** the uncrimped rib.

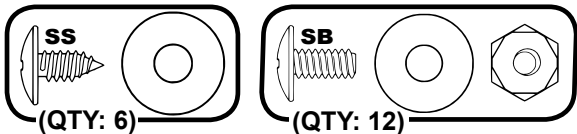


The building is square when diagonal measurements are equal.



Step 6: End Panels

You will need for this page:



Reused Parts:

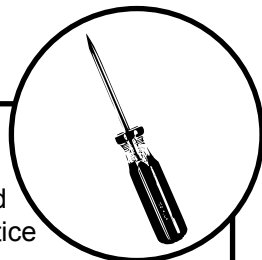
- Right Roof End Panel (1)
- Left Roof End Panel (1)

1 Secure the **End Panel** to the **Main Roof Beam** by placing a **Small Screw** in hole #1 (from the diagram below). Carefully remove the **Gable Edge Trim** once the **Panel** is in position.

2 Fasten **Panel** to **Gable** by placing **Small Bolts** and **Nuts** through holes #2 - #7. Fasten the holes in order.

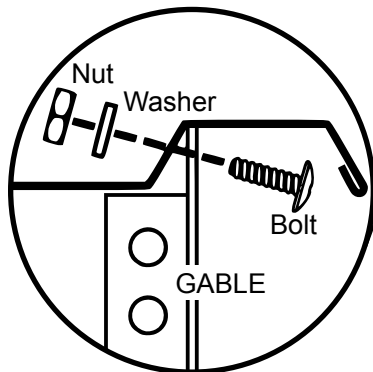
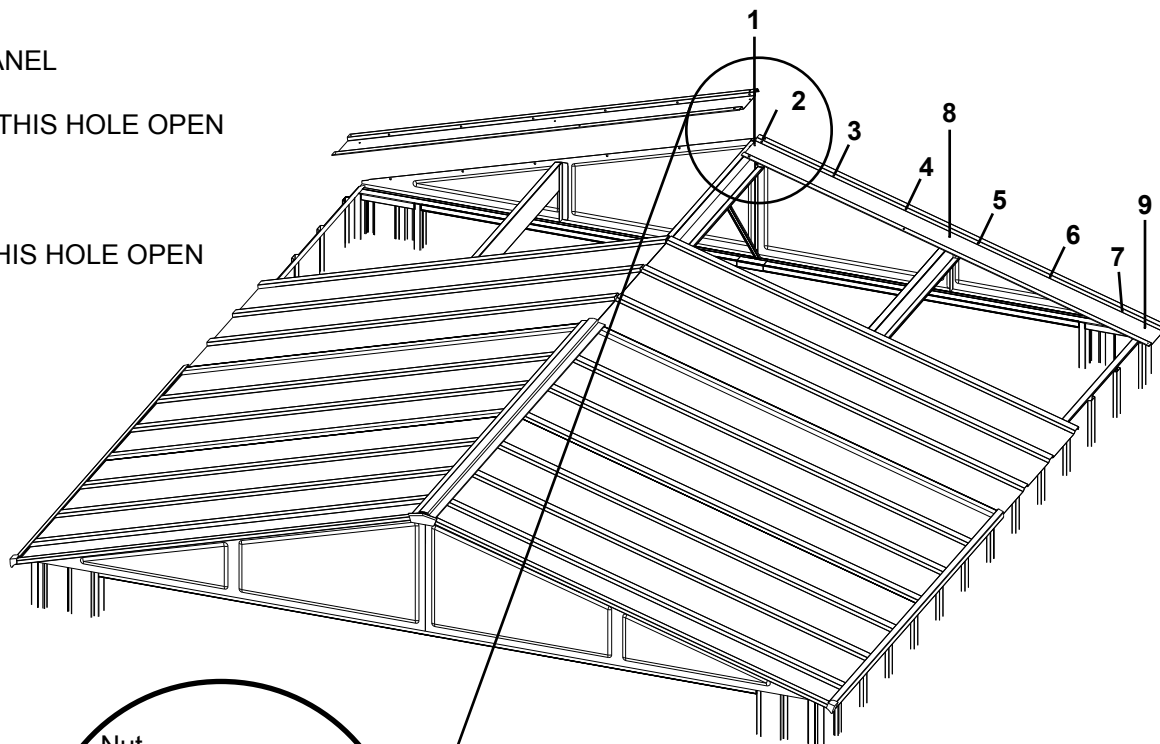
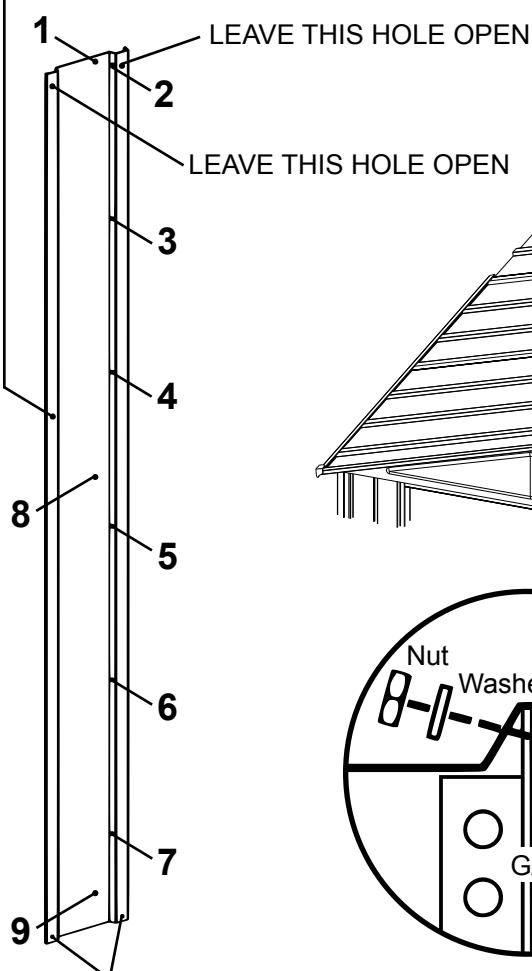
3 Secure the **Panel** by placing a **Small Screw** to the outer **Roof Beam** in hole #8 and **Side Angle** in hole #9. Repeat for other **End Panel**.

An Awl may be used to help align holes that are only slightly misaligned. Take care not to bend or warp the metal, and always practice proper tool safety.



NOTE If Roof Beam holes do not line up with Roof Panel holes, shift the building from left to right. If this does not help, your building may not be level. Shim the corners until holes line up.

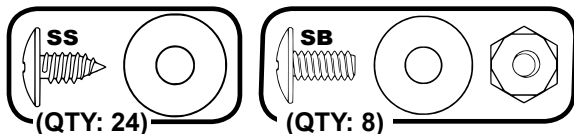
FASTEN TO NEXT PANEL



NOTE Work one corner at a time. Be sure to finish a corner before moving on to the next one.

Step 7: Roof Assembly

You will need for this page:

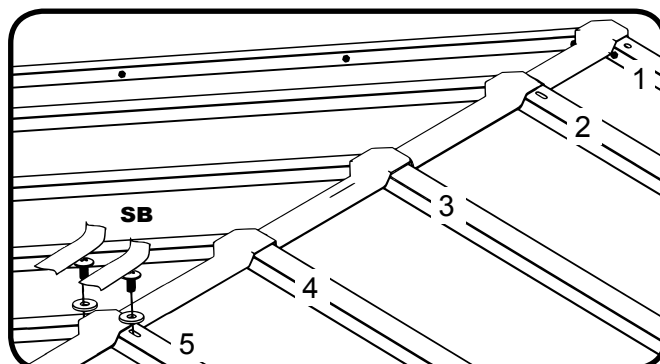


Reused Parts:

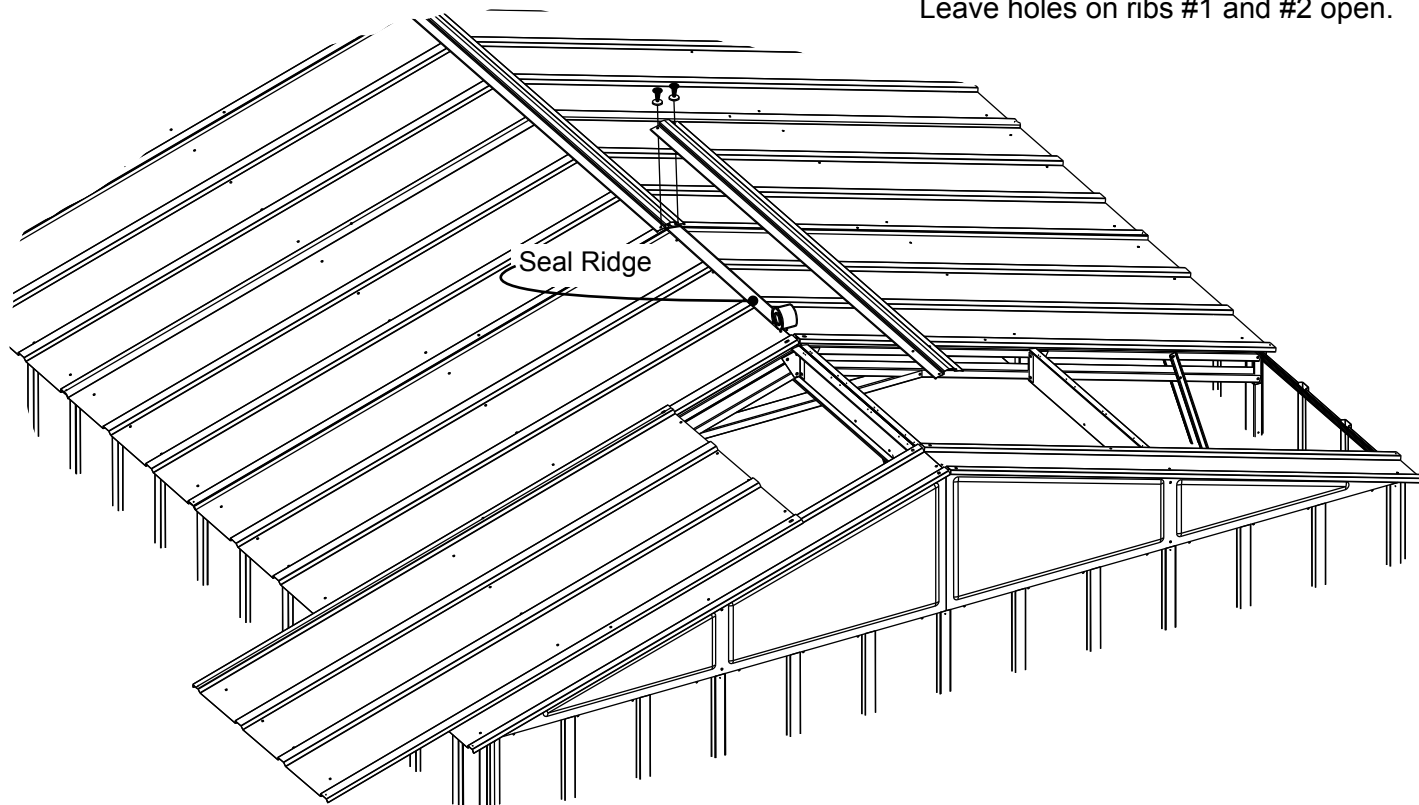
- Roof Panel (2)
- Ridge Cap (1)

- 1 Attach the end of the rear **Ridge Cap** with two (2) holes in existing **Ridge Cap** with two (2) **Small Bolts and Nuts**.
- 2 Install **Roof Panels**.
- 3 Seal the ridge of the building with **Weather Stripping**.
- 4 Where **Panels** overlap under **Ridge Cap**, secure with two (2) **Small Bolts and Nuts** and seal with a strip of tape.

• Starting with rib #5 below, every rib that is over a Truss should be secured with a Small Bolt and Nut, and then sealed with a strip of Tape.



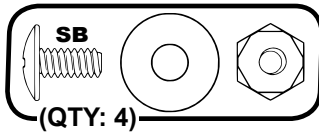
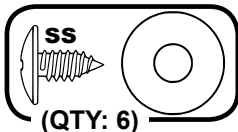
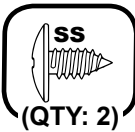
Leave holes on ribs #1 and #2 open.



NOTE Weather Stripping Tape should be applied in a continuous strip along the length of the roof.

Step 8: Roof Trim

You will need for this page:



Reused Parts:

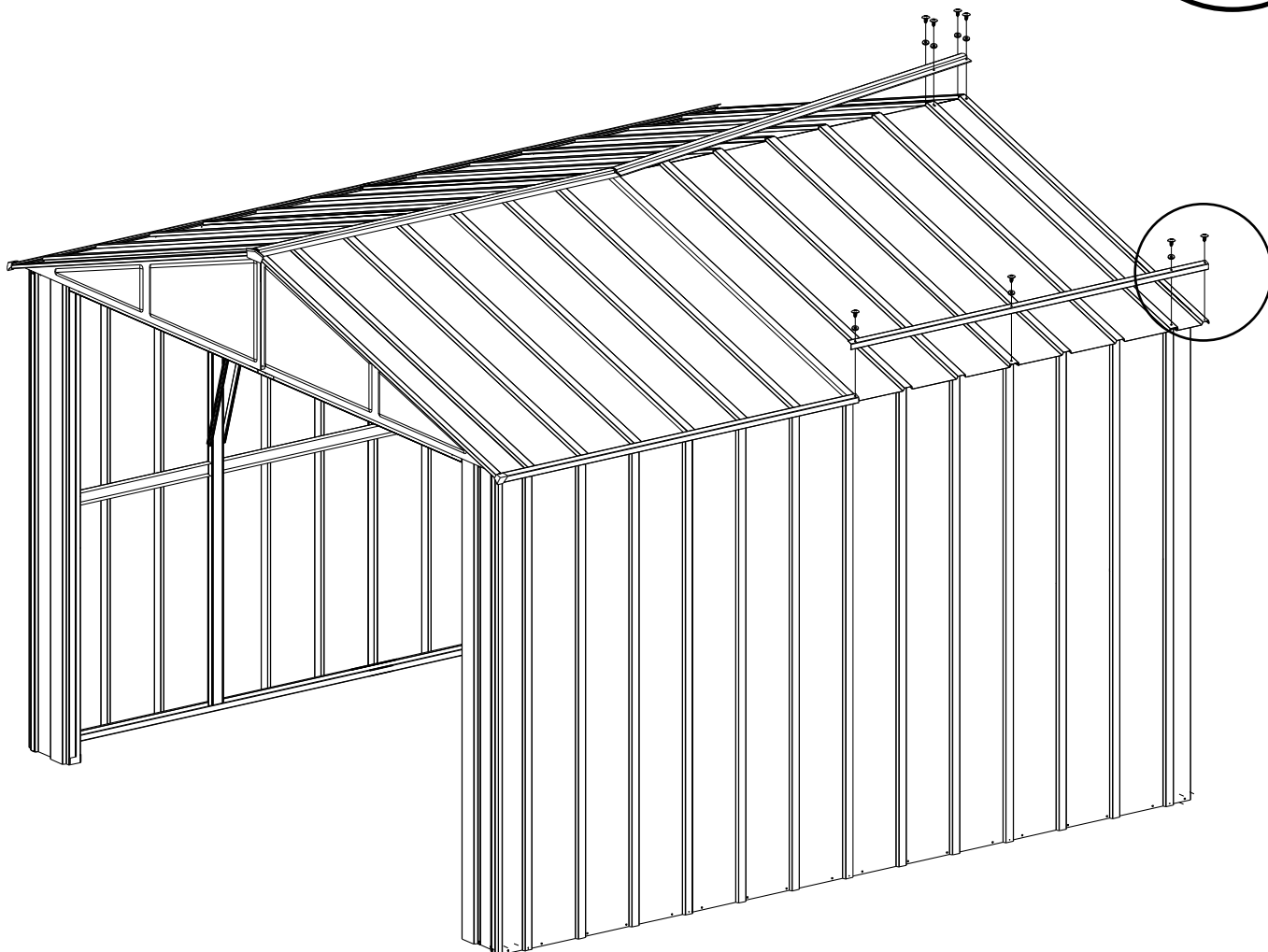
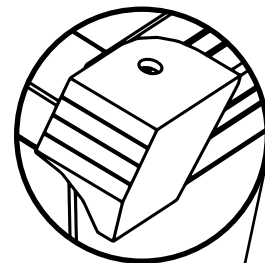
- Roof Trim (2)
- Peak Cap (1)
- Roof Trim Cap (2)

IMPORTANT: Once the building is assembled, anchor the added sections of the building in the same manner as the rest of the building.

1 Secure the rear **Ridge Cap** to the back of the building with four (4) **Small Bolts** and **Nuts**.

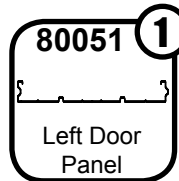
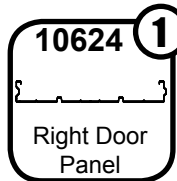
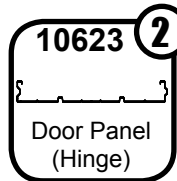
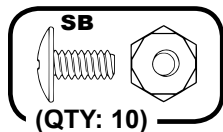
2 Secure **Roof Trim** and **Roof Trim Cap** using four (4) **Small Screws**.

Roof Trim Caps are positioned as shown.



Step 9: Door Assembly

You will need for this page:

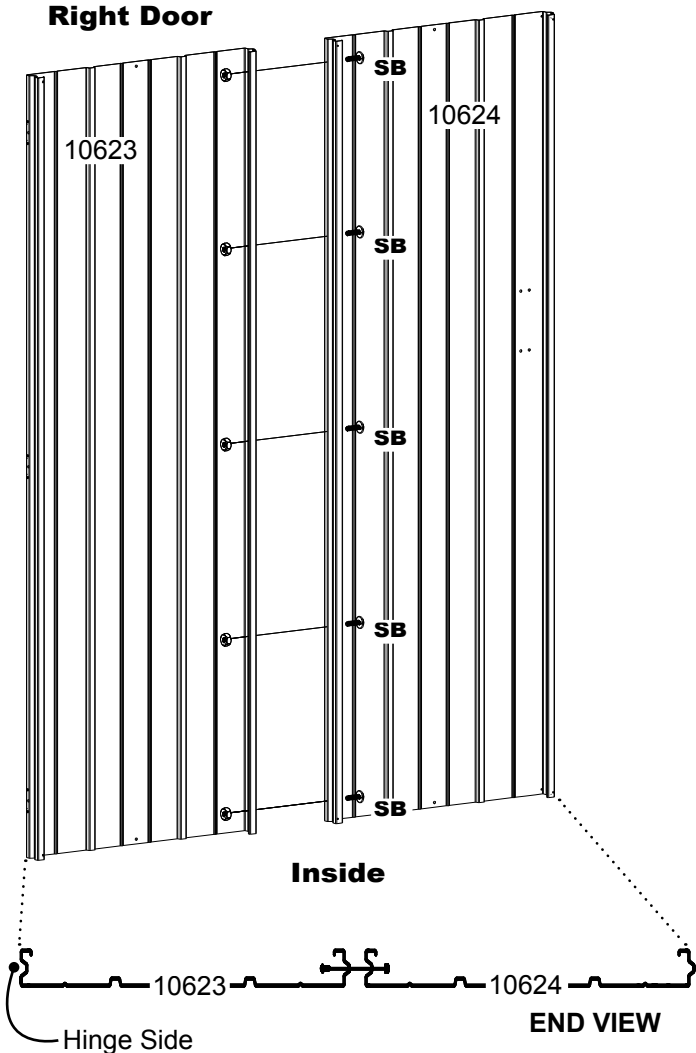


Refer to page 5 for Door assembly overview.

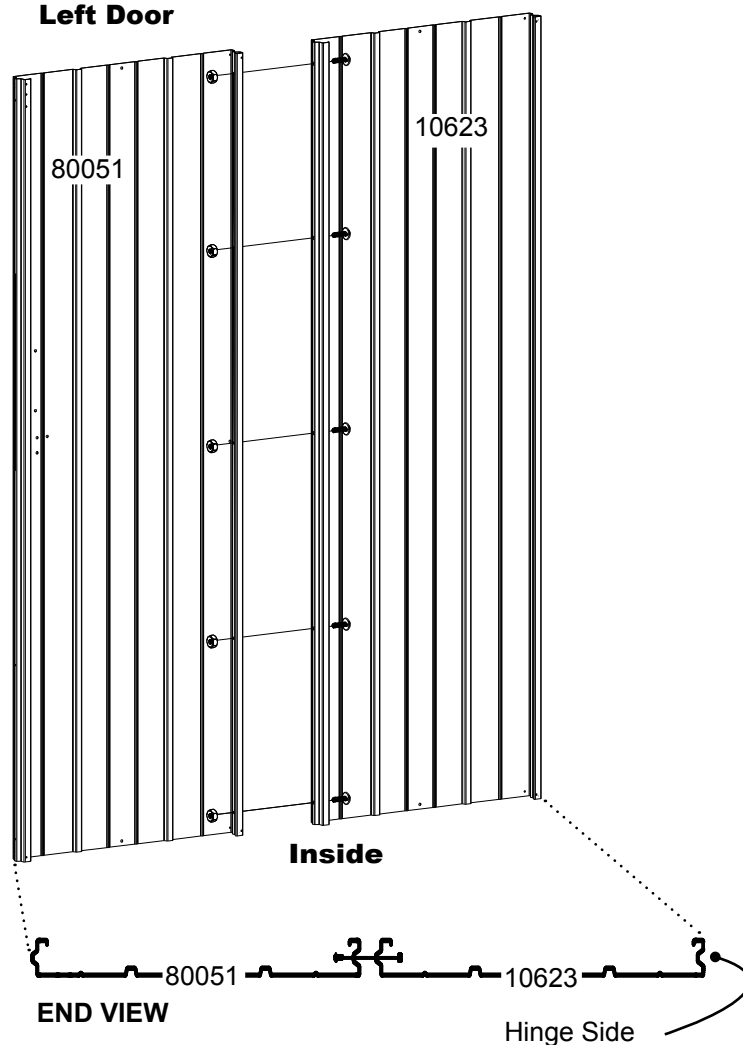
1 Position **Door Panels** as shown and secure using **Small Bolts** and **Nuts**. **NOTE:** **Door Panels** in the image below are shown pictured from the inside of the building. Pay close attention to how **Panels** are positioned. Below are end views showing **Panel** position.

NOTE The best way to assemble the Doors is on a flat, elevated surface such as a table or workbench.

Right Door



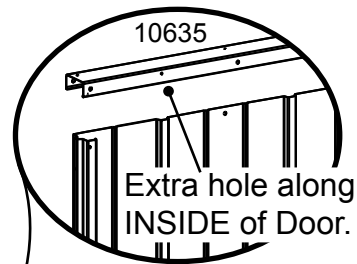
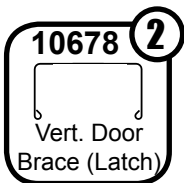
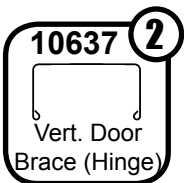
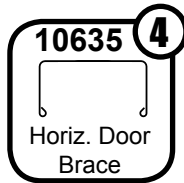
Left Door



Step 9: Continued

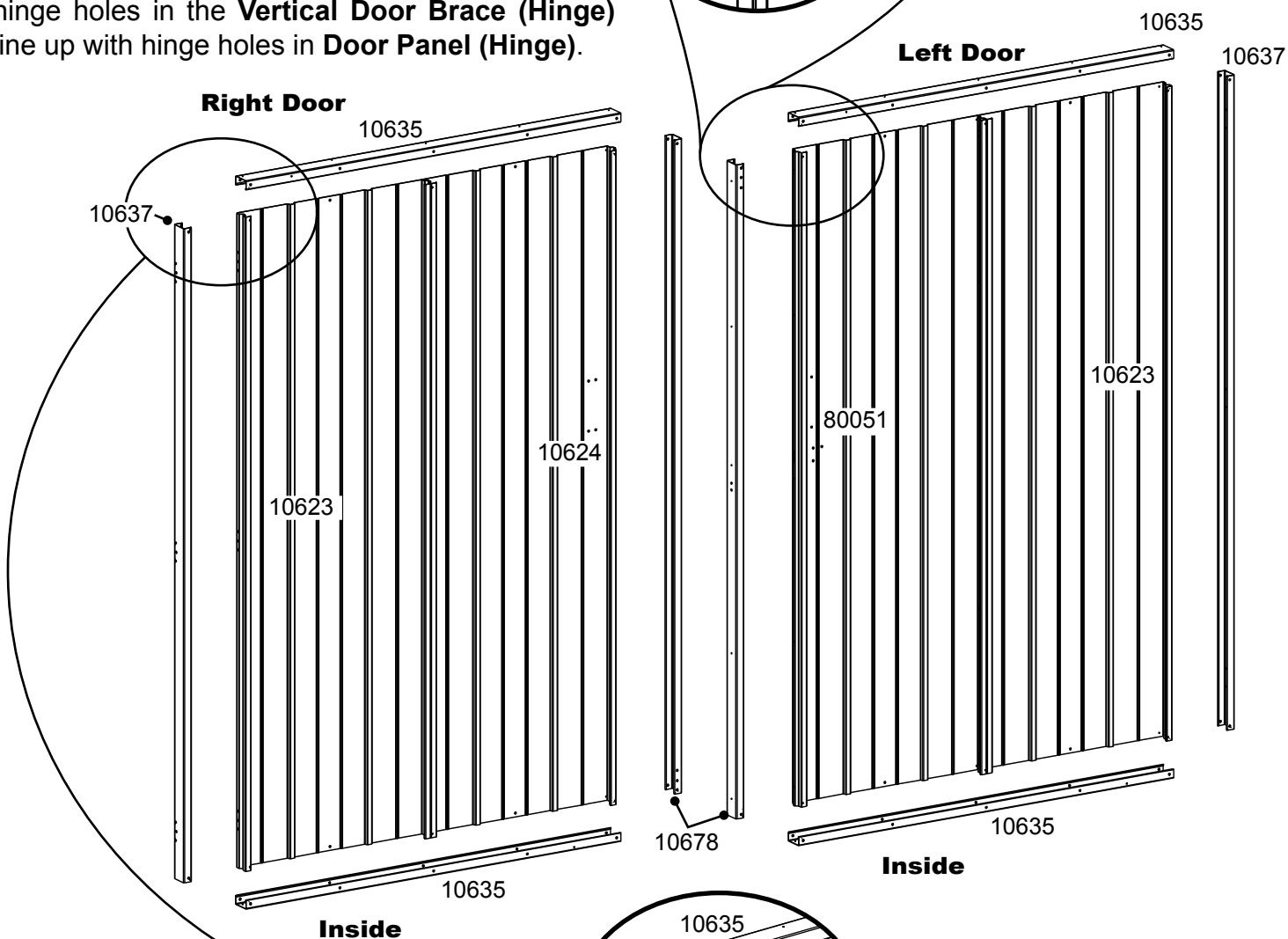
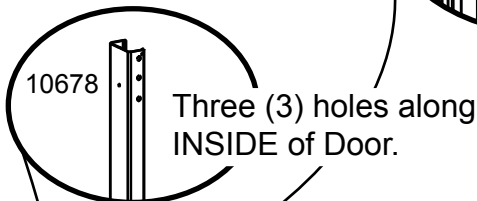
You will need for this page:

[NO HARDWARE NEEDED FOR THIS STEP]

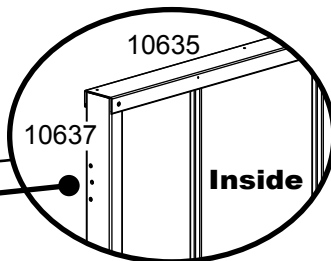


2 Position **Horizontal Door Braces**, and **Vertical Door Brace (Hinge)** and **Vertical Door Brace (Latch)** as shown.

NOTE: Doors in the image below are shown pictured from the inside of the building. Pay close attention to how parts are positioned. Make sure hinge holes in the **Vertical Door Brace (Hinge)** line up with hinge holes in **Door Panel (Hinge)**.

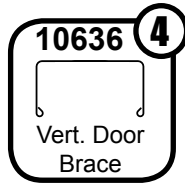
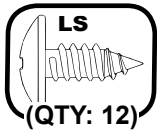


Holes in Door Brace must line up with holes in Door Panel.



Step 9: Continued

You will need for this page:

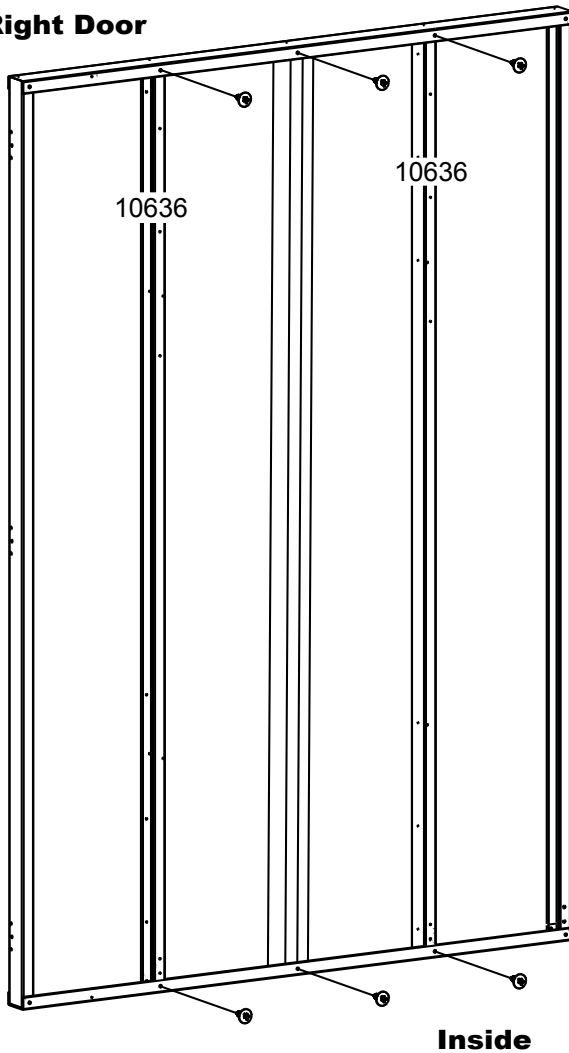


- 3** Slide **Vertical Door Braces** into position with ends inside **Horizontal Door Braces**. Double check that the open ends of the **Vertical Door Braces** face the edges of the **Door** (see image to right) and secure with **Large Screws** in each **Door**. **NOTE: Doors** are shown pictured from inside building.

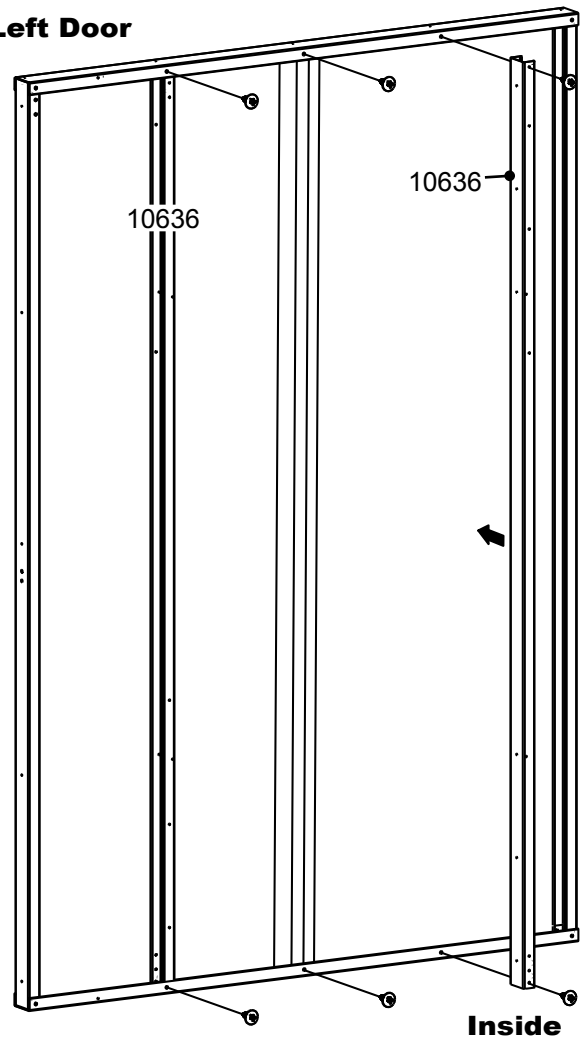
Open ends of Vertical Door Braces must face edge of Doors.



Right Door

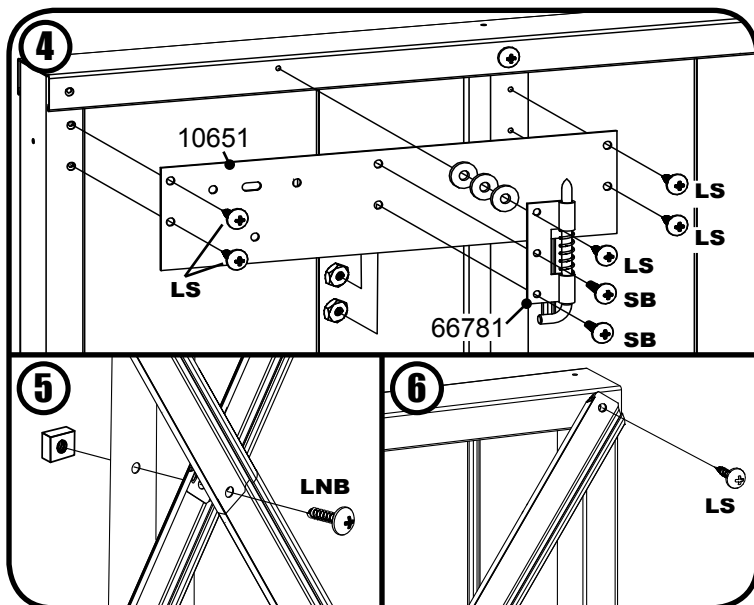
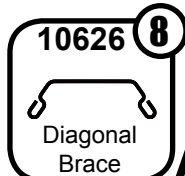
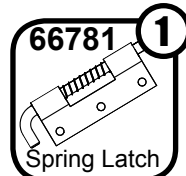
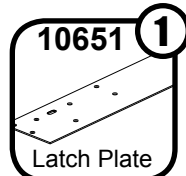
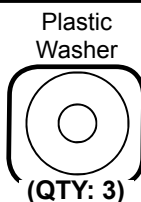
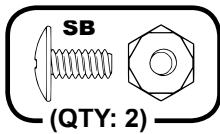
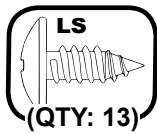
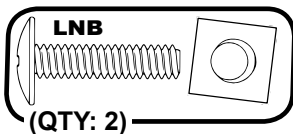


Left Door



Step 9: Continued

You will need for this page:



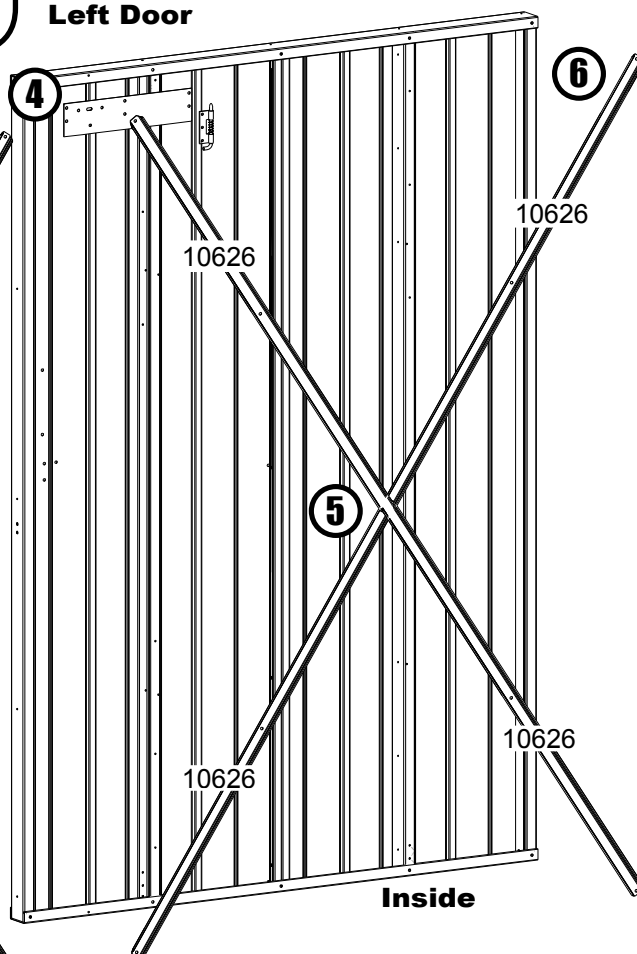
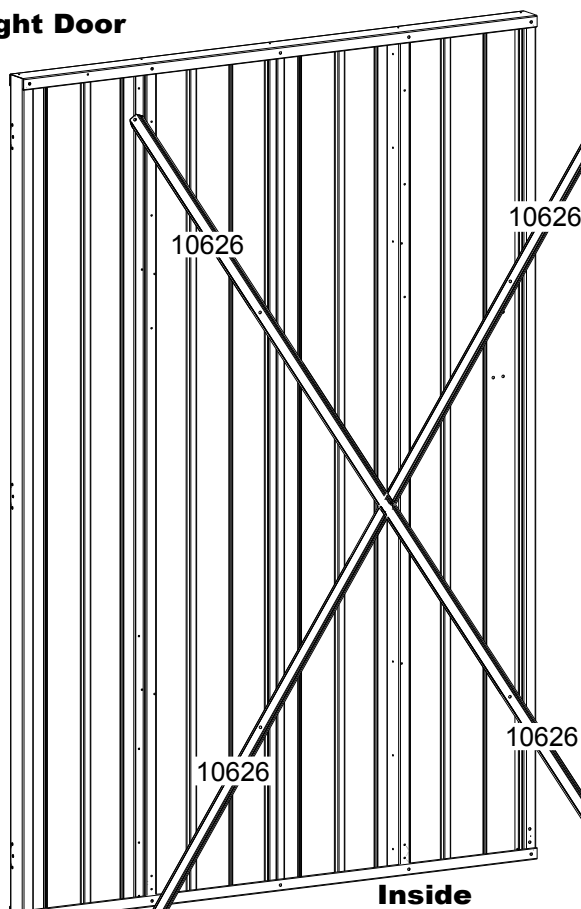
4 Position parts as shown and secure to upper inside corner of left **Door** with **Large Screws**. **Spring Latch** attaches to **Latch Plate** using **Small Bolts** and **Nuts**. Place three (3) **Plastic Washers** behind top hole of **Spring Latch** as shown; this will help alignment.

5 Where **Braces** overlap, insert a **Long Bolt** through all **Braces** and **Door Panel** and secure with a **Nut**.

6 Secure **Diagonal Braces** to **Doors** in all corners with **Large Screws**.

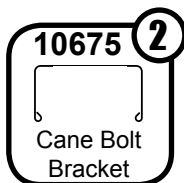
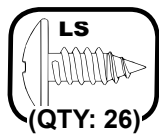
Left Door

Right Door



Step 9: Continued

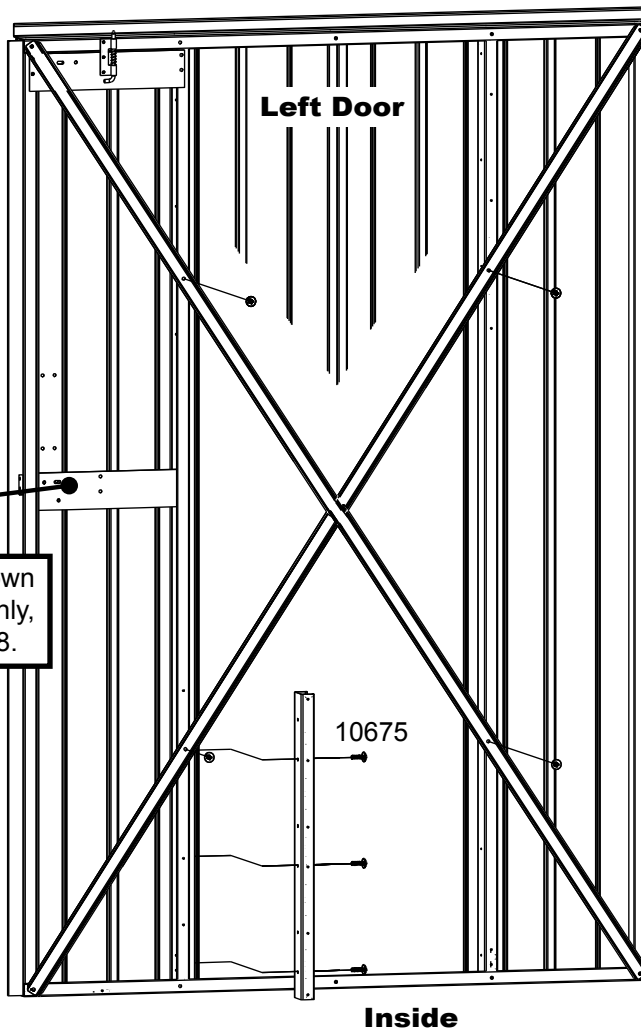
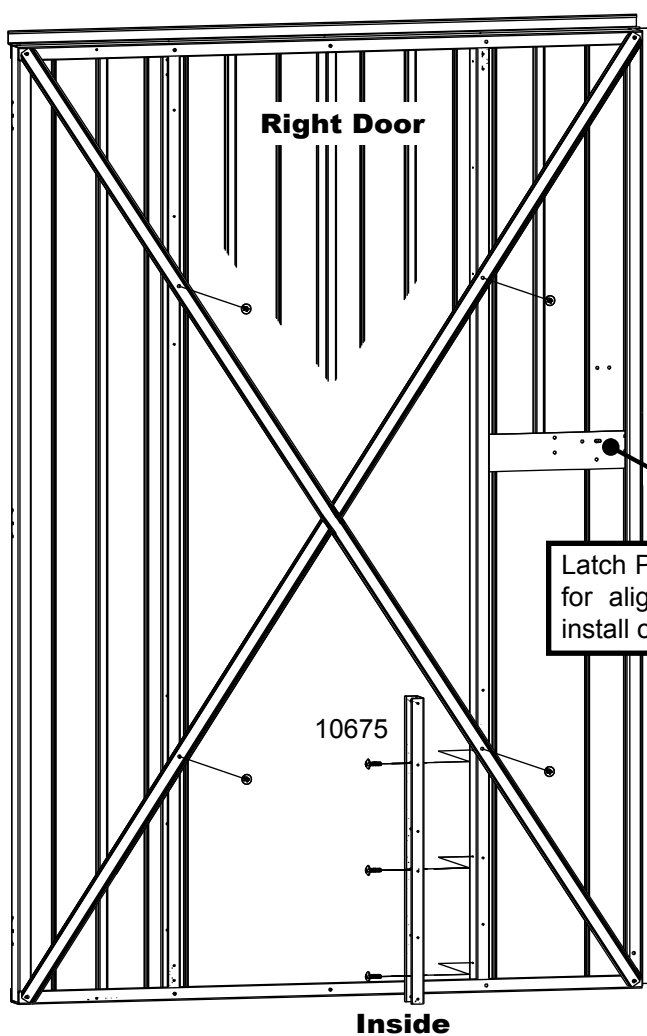
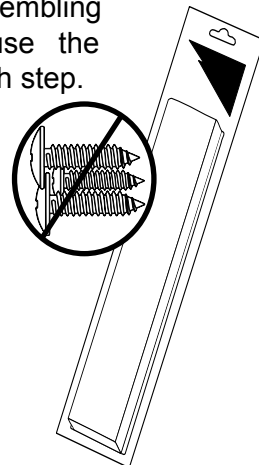
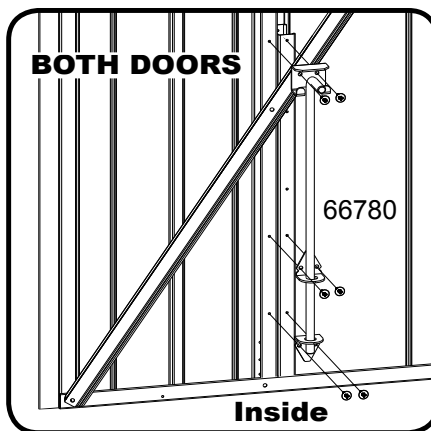
You will need for this page:



NOTE The Cane Bolt, Door Handles and Slide Bolt are pre-packaged with their own hardware. This hardware is not used when assembling the building. Instead, use the hardware indicated in each step.

- 7** Secure all **Diagonal Braces** to the **Vertical Door Braces** with **Large Screws** as shown. Next, position the **Cane Bolt Bracket** back-to-back against the **Vertical Door Brace** closest to the center of one (1) **Door** as shown. Slide the **Cane Bolt Bracket** to the bottom of the **Door** and secure with three (3) **Large Screws**. Repeat for other **Door**.

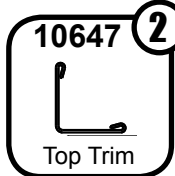
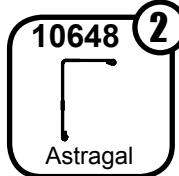
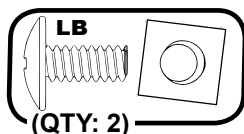
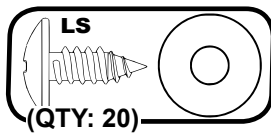
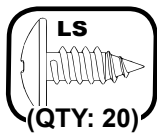
- 8** Align the **Cane Bolt** with the holes in the **Cane Bolt Bracket** and **Vertical Door Brace** and secure with six (6) **Large Screws** as shown. Repeat for other **Door**.



Latch Plates shown for alignment only, install on page 28.

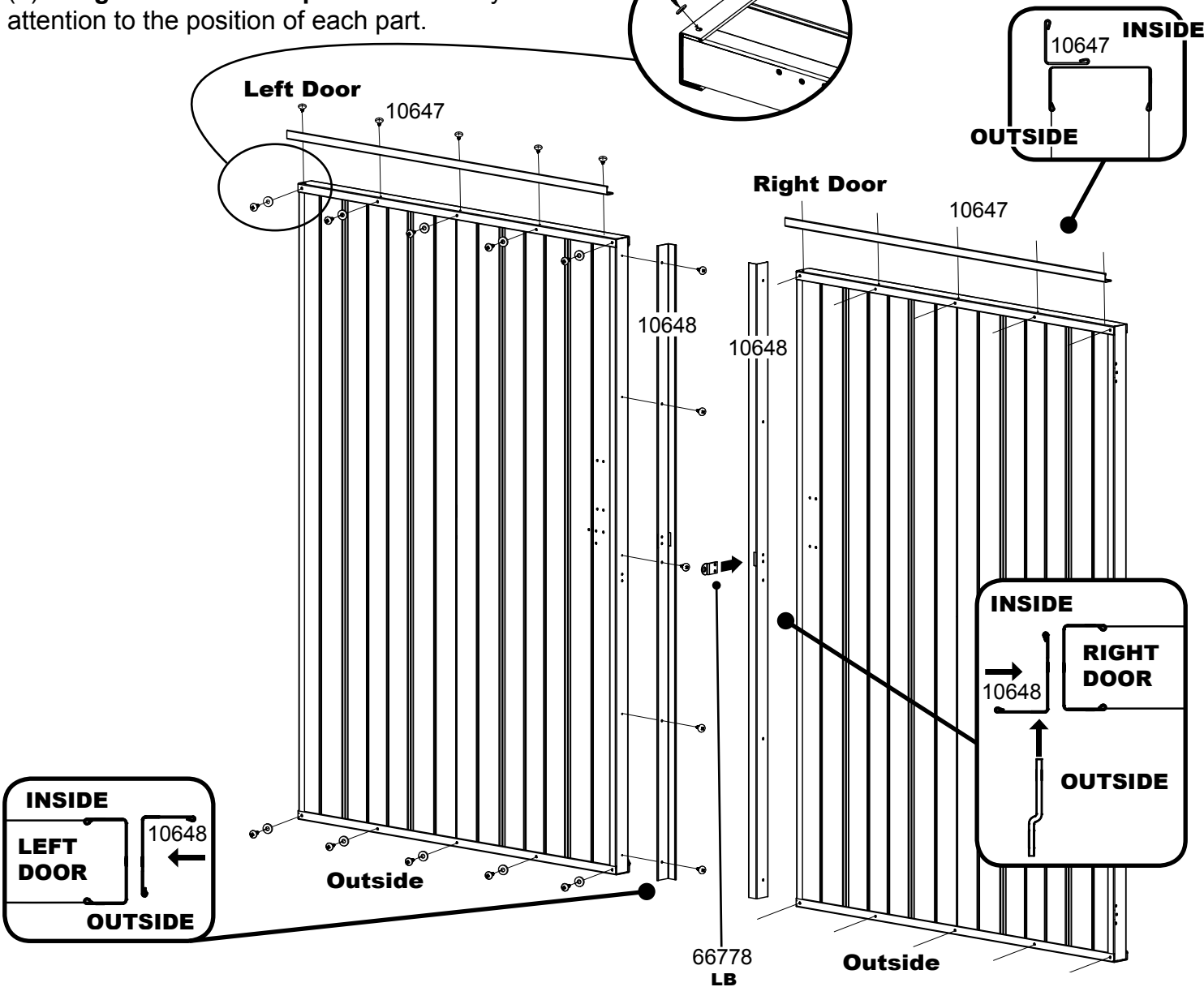
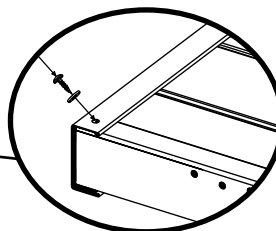
Step 9: Continued

You will need for this page:



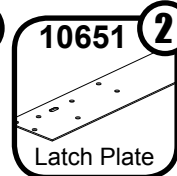
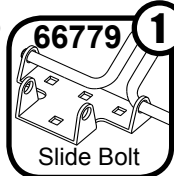
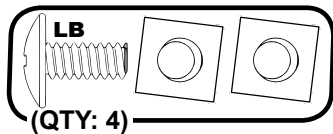
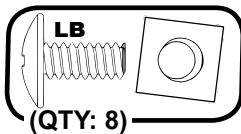
9 Secure the **Horizontal Door Brace** to the **Door** with **Large Screws**. Position **Door Trim** and **Astragals** as shown and secure with **Large Screws**. **Lock Eyelet** slides through **Astragal** on **Right Door** and is secured with two (2) **Large Bolts** and **Square Nuts**. Pay close attention to the position of each part.

NOTE If holes do not align, insert Screw at an angle.



Step 9: Continued

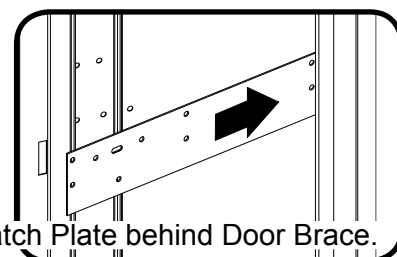
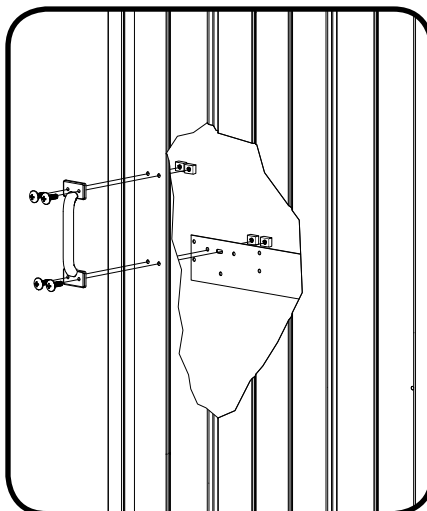
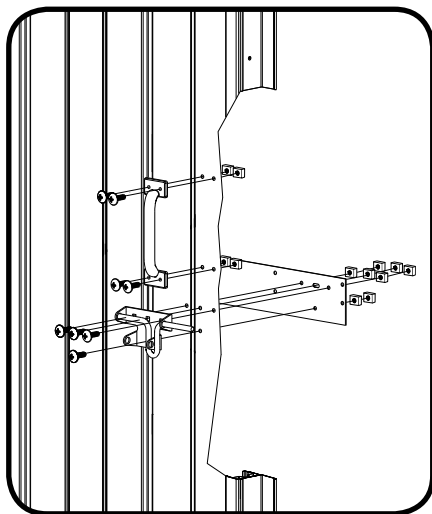
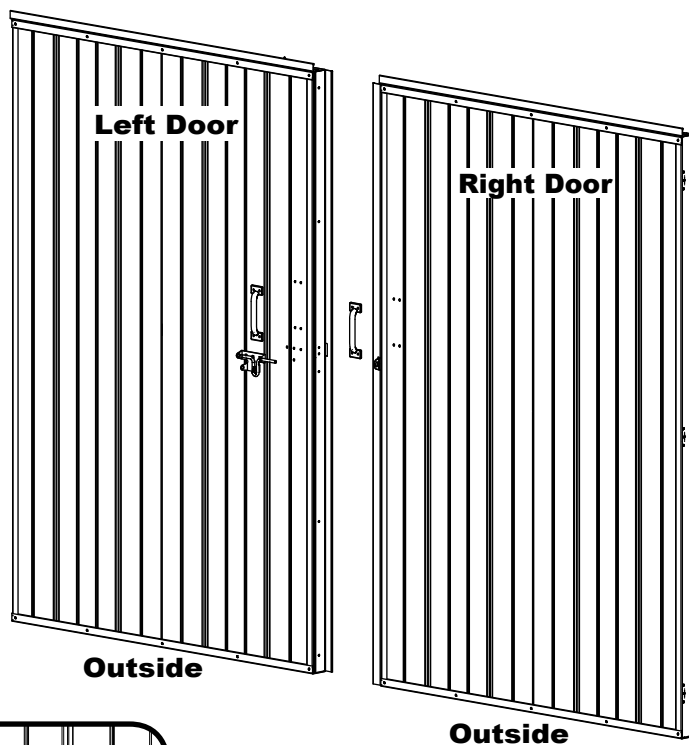
You will need for this page:



10 Slide **Latch Plate** into position on the **Left Door**. Next, position the **Slide Bolt** on the face of the **Door** and secure with **Large Bolts** and two (2) **Square Nuts** on each **Bolt**. Position the **Door Handle** on the face of the **Left Door** and secure with **Large Bolts** and **Square Nuts**. This completes the **Left Door** assembly.

NOTE Do not use hardware supplied with Door Handle and Slide Bolt. Instead, use the hardware indicated in this step.

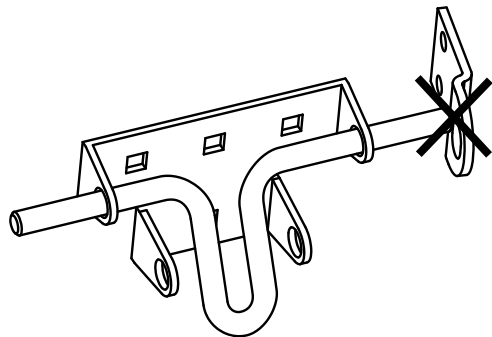
11 Slide **Latch Plate** into position on the **Right Door**. Next, position the **Door Handle** on the face of the **Door** and secure with **Large Bolts** and **Square Nuts**. This completes the **Right Door** assembly.



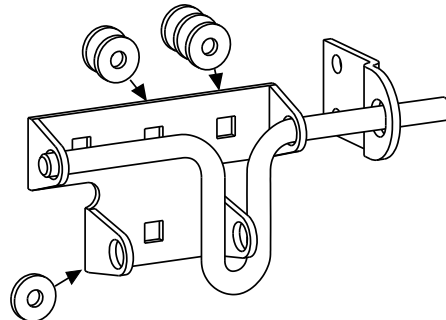
Slide end of Latch Plate behind Door Brace.

Step 9: Continued

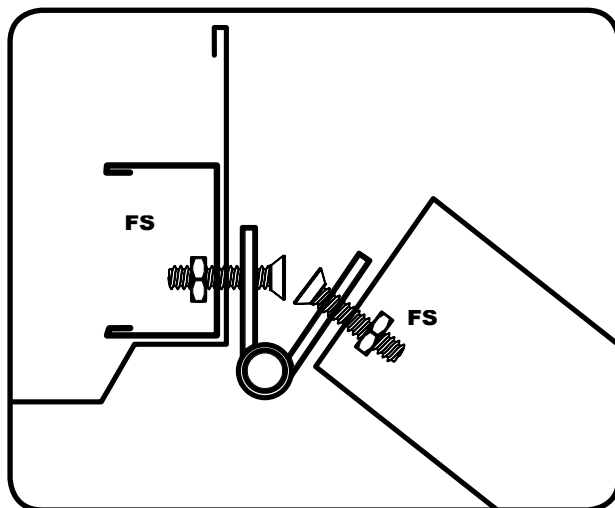
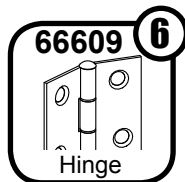
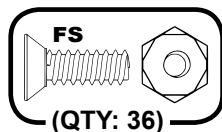
Slide Bolt may need adjustment to align properly.



If Slide Bolt does not align properly, you may need to insert plastic washers between the door and the Slide Bolt to ensure proper fit. Adjust number of plastic washers until desired fit is reached.



You will need:



Hanging the Doors:

After the Doors have been assembled, install hinges on one (1) Door using flathead Screws and Nuts. Use the image to the left as a guide to proper hinge position. Next, position one (1) Door in the doorway of the building and secure the hinges, from top to bottom, to the Door Jamb, *but do NOT fully tighten*. With all hinges in place, hold the Door in alignment and slowly tighten the Bolts on the Door Jamb side of the hinge. Repeat to hang the other Door.

Swing the Doors carefully to check alignment. If Doors are misaligned, slightly loosen the Bolts on the Door Jamb side of the hinge and realign the Door. Fully tighten when done.

IMPORTANT: Once the building is fully assembled, measure across the door opening and check that it is 98 1/4" (249,6 cm). If it is not, move the front walls in or out slightly to match this dimension. This must be done **BEFORE** anchoring.

ASSEMBLY NOTES

ASSEMBLY NOTES

