

722580317

Owner's Manual & Assembly Guide

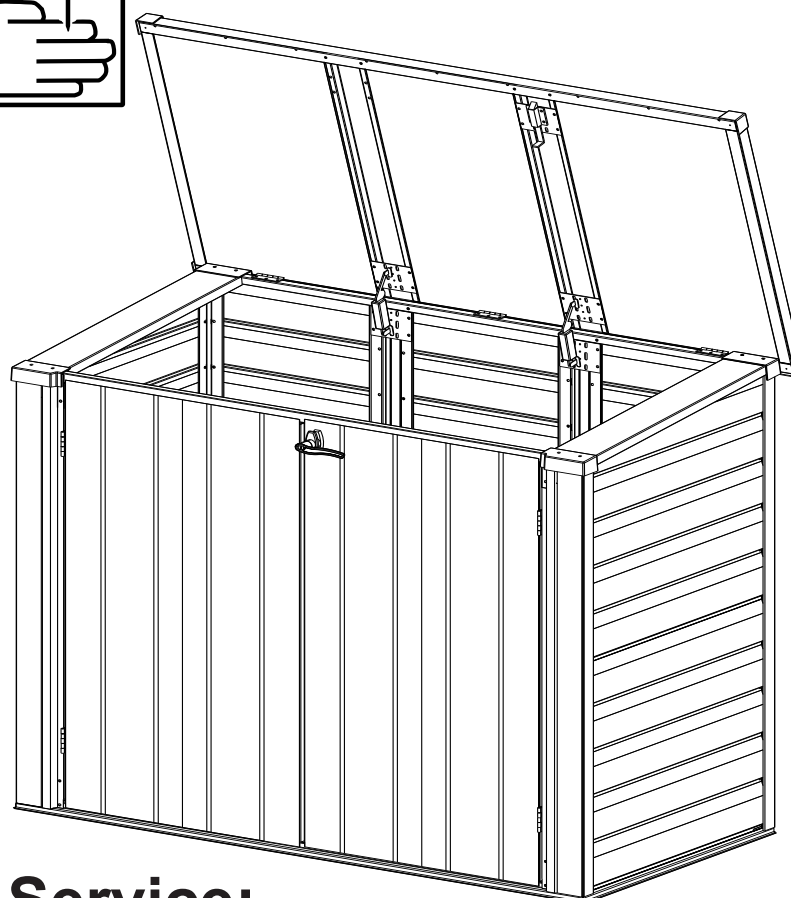


www.spacemakersheds.com

Model No. EVRS53 EVRS53EU

5' x 3'

Nominal Size



VERSA-SHED™

Customer Service:
1-800-851-1085 or
assist@arrowsheds.com

Base Size	55" x 28.25" 140,0 cm x 72,0 cm
------------------	------------------------------------

For proper base construction see page 11

BUILDING DIMENSIONS

† Size rounded off to the nearest foot

Approx. † Size	Storage Area		Exterior Dimensions (Roof Edge to Roof Edge)			Interior Dimensions (Wall to Wall)			Door Opening	
			Width	Depth	Height	Width	Depth	Height	Width	Height
5' x 3'	9 Sq. Ft.	36 Cu. Ft.	56 1/2"	29 5/8"	50 1/4"	52 1/4"	25 1/2"	48 1/4"	42"	42.5"
1,5 m x ,9 m	0,9 m ²	1,0 m ³	144,0 cm	75,0 cm	128,0 cm	133,0 cm	65,0 cm	123,0 cm	107,0 cm	108,0 cm

* See Inside for Detailed Safety Information.

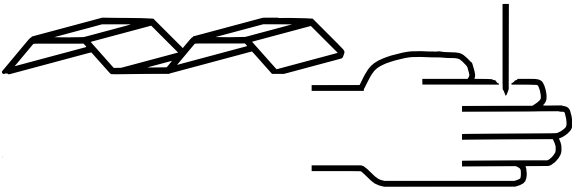
- GB:** Assembly manual in additional languages available online.
Scan QR code below to access.
- FR:** Manuel de montage disponible en ligne dans d'autres langues.
Pour y accéder, scannez le code QR ci-dessous.
- SP:** Manual de montaje en idiomas adicionales disponible online.
Escanee el código QR a continuación para acceder.
- DE:** Montageanleitung in zusätzlichen Sprachen online verfügbar.
Scannen Sie den QR-Code unten, um darauf zuzugreifen.
- IT:** Manuale dell'assemblea in altre lingue disponibile online.
Per accedere effettua la scansione del codice QR in basso.
- PT:** Manual de montagem disponível em outros idiomas online.
Digitalize o código QR abaixo para obter acesso.
- DT:** Samlingshåndbog i yderligere sprog til rådighed online.
Scan QR kode nedenunder for at få adgang.
- SK:** Na internete je k dispozícii návod na zostavenie v ďalších jazykoch.
Dostanete sa k nemu naskenovaním kódu QR.
- CZ:** Návod k montáži v dalších jazycích je k dispozici v online verzi.
Přístup získáte po naskenování QR kódu níže.
- HU:** Az összeszerelési útmutató további nyelveken is elérhető online.
A hozzáféréshez olvassa be az alábbi QR-kódot.
- GR:** Υπάρχει διαθέσιμο στο διαδίκτυο το εγχειρίδιο συναρμολόγησης
σε περισσότερες γλώσσες. Σαρώστε τον παρακάτω κώδικα
QR για να αποκτήσετε πρόσβαση.



SAFETY PRECAUTIONS...

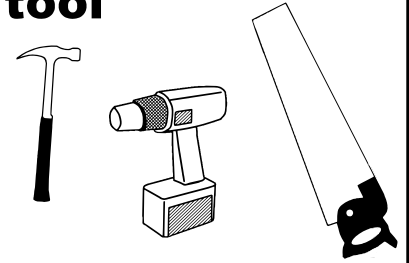
Safety precautions MUST be followed at all times throughout the construction of your building!

sharp edges



Care must be taken when handling various pieces of your building since many contain sharp edges. Please wear work gloves, eye protection and long sleeves when assembling or performing any maintenance on your building.

always practice proper tool safety



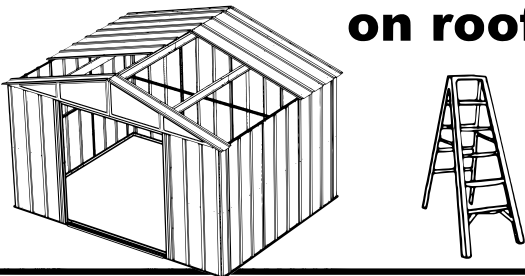
Practice caution with the tools being used in the assembly of this building. Be especially familiar with the operation of all power tools.

no children or pets at worksite



Keep children and pets away from the worksite during construction and until the building is completely assembled. This will help avoid distractions and any accidents which may occur.

don't focus weight on roof



NEVER concentrate your weight on the roof of the building. When using a step ladder make sure that it is fully open and on even ground before climbing on it.



Do NOT attempt to assemble your building on a windy day. The large panels can catch the wind like a "sail", causing them to be whipped around making construction difficult and unsafe.

Do NOT attempt to assemble your building before double checking that you have all the parts indicated in the parts lists, as well as all hardware (page 6-11). Any building left partially assembled may be seriously damaged by even light winds.

IMPORTANT NOTE ON ANCHORING

- Your building MUST be anchored to prevent wind damage. An anchoring kit is not supplied with your building and you have many options when it comes to anchoring. See anchoring page for more info.
- If you need to take a break from assembly, place sandbags or other weights on the floor frame to temporarily anchor it.

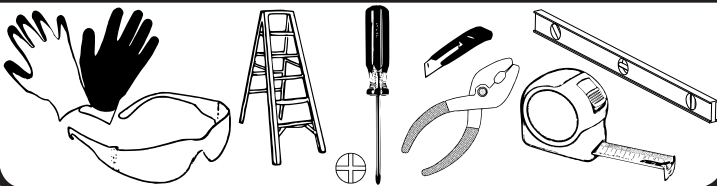
ASSEMBLY TIPS & TOOLS

Watch the Weather Closely: Be sure the day you choose to install your building is dry and calm. Do **NOT** attempt to assemble your building on a windy day. Be careful on wet or muddy ground.

Use Teamwork: Two or more people are required to assemble your building. One person can hold the parts or panels in place while the other person fastens them together and handles the tools. This makes the process of assembling your building faster and safer.

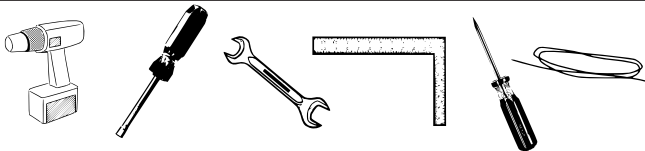
Tools and Materials: Here is a list of some basic tools and materials you will need to assemble your building. Decide which method of anchoring and the type of base you will use to make a complete list of the materials you will need.

WHAT YOU NEED



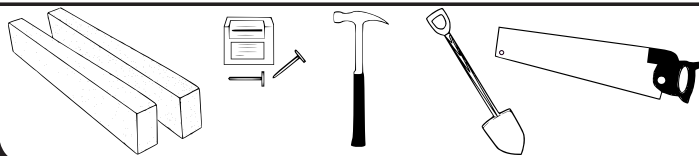
- Work Gloves
- Safety Glasses
- Step Ladder
- No. 2 Phillips Screwdriver (Magnetic Tip Preferred)
- Utility Knife or Scissors
- Pliers
- Carpenter's Level
- Tape Measure

RECOMMENDED TIME SAVERS



- Power Drill (Cordless, Variable Speed)
- Nut Driver or Wrench
- Square
- String (for squaring the frame)
- Awl (to align holes)

BASE PREPARATION TOOLS



- Lumber and/or Concrete
- Hammer and Nails
- Spade or Shovel
- Hand Saw or Power Saw

How to Select and Prepare Your Building Site: Before you start to assemble your building, you will want to decide on a good location. The best location is a level area with good drainage.

- Allow enough working space so it is not difficult to move parts into position for assembly. Be sure there will be enough space at the entrance for the doors to completely open. Also, there needs to be enough space outside the building to be able to fasten the panel screws from the outside.
- Before assembling any parts, your base should be constructed and an anchoring system should be ready to use.

FREQUENTLY ASKED QUESTIONS

Q. How long will it take to assemble the building?

A. Assembly time depends on a variety of factors, including roof design, tools available, DIY skill and the pace at which you work. Guidelines for each shed assembly are approximate AFTER completion of the base, and assume two or more people working on the assembly. Generally, you should plan on at least one day working with someone who can assist you; again, after constructing the base. Refer to the clock icons on each product page on the website for specific time estimates.

Q. How do I decide where to put my shed?

A. The key to a successful assembly is to make sure the shed will be square and level when built. The shed can be assembled directly onto level ground (grass or dirt). If you have location options, choose one that is already flat, with good drainage to control moisture. If you don't have a flat, well-drained area, you need to prepare the space. Level the area using cinder blocks, concrete, crushed gravel or other sturdy materials. Once level with good drainage, construct your base. Using a carpenter's level, make sure your base is level and free of bumps or ridges to provide good support for your building.

Q. What if I can't finish my building in one session?

A. If weather conditions change so that it becomes windy or rainy, it is recommended that you stop assembly until conditions improve. This is for your safety and for protection of the shed panels. However, do not leave your unfinished construction without first temporarily anchoring the corners of the shed to your base and placing weights, such as patio blocks or sandbags, on the floor frame. Failure to anchor the building if you leave it while partially assembled could result in irreparable damage or personal injury if the building collapses.

Note: Most instruction manuals provide a warning note at the beginning of the installation step for corner panels, stating that the remainder of the building assembly requires multiple hours and more than one person. Do not continue beyond this point if you do not have enough time or help to complete the assembly that day. A partially assembled building can be severely damaged by even light winds.

Q. Do I need to anchor my building?

A. Yes! Fully assembled buildings should be anchored using a permanent anchoring system. If you need to leave your building before it is completely assembled, you will need to temporarily anchor the corners of the shed to your base, and place weights, such as patio blocks or sandbags, on top of the floor frame.

Q. How do I temporarily anchor my building before it's fully assembled?

A. An incomplete building must be anchored before breaking for any period of time to prevent possible damage.

- If the building is on a wood base, secure the frame with wood screws in the corners
- If the building is on a concrete base, temporarily anchor the frame in the corners
- Use patio blocks or sandbags on top of the floor frame as weights
- Secure the floor frame to the ground with ground augers or rope the frame in the corners to the ground

Q. How do I control condensation and prevent water from leaking in?

A. To minimize condensation, install a continuous, unbroken plastic vapor barrier with a thickness of 6 mil. between exposed ground surface and the building's base. Make sure that all weather stripping and washers are used throughout the assembly process. Make sure that the weather-stripping tape adheres to the panels when installing it along the main ridge beam. Do not stretch it. Apply it directly off the roll onto clean panels. Ensure that all washers are flush with the panels and do not over-tighten screws, as this can crack the washers. Silicone caulking may be used to create watertight seals at the washers and throughout the building.

Q. What kind of base do I use?

A. You can:

- Pour a concrete slab
- Build a wood deck/floor (use exterior-grade plywood)
- Use patio blocks
- Build on crushed gravel, dirt or grass

Q. How should I measure for my base?

A. Shed dimensions are provided in “nominal” size. Nominal sizes are roof-edge measurements rounded to the nearest foot and are not the measurements to use for constructing the shed base. So, carefully check the exact, recommended base size in the specifications for your shed model.

Q. How do I align the holes in the wall panels with the holes in the floor frame?

A. Make sure that the shed is level and square, with the correct floor frame size, and that the corner panels are installed correctly. Line up the large hole in the panel with the small holes in the floor frame. An awl can be used to help align the holes.

Q. How do I align the holes in the roof panels with the holes in the roof beam and side wall angles?

A. Your building must be level and square in order for the holes to align. It must be square at both the top and bottom. Check that the building is square by measuring diagonally. The two diagonal measurements will be equal. If your building is out of square, carefully rock and push the shed until it is square. Also, try loosening the roof beams to give more play and flexibility. Non-alignment can also occur if your building is not level. You can raise corners and shim under them to make it level. Check that the panels are installed in the proper location. The building should not be permanently anchored until the complete unit is assembled; otherwise, you will not be able to make adjustments for squareness during assembly. Do not attach the bottom of the roof panels to the side wall angles until all the roof panels are up.

Note: If you have to stop assembly for any reason before it is complete, do not leave your unfinished construction without first temporarily anchoring the corners of the shed to your base and placing weights, such as patio blocks or sandbags, on the floor frame.

Q. How do I ensure that the sliding doors on the building will hang level?

A. Make sure that the door track has been correctly installed, with the long leg on top and the short leg on the bottom. Check that the door slides are straddling the upper and lower legs of the door track assembly, putting the door slide only halfway in the track. Also, the rounded end of the door slide should be at the bottom and the square end at the top.

Q. What if the rear wall angle and channels are too large to fit inside of the rear wall panels?

A. Check the dimensions of wall assemblies. They should be slightly smaller than the floor frames. Lay the assemblies on top of the rear floor frame and pull them up to the top of the wall panels causing the corner panels to stand erect and not lean inward. Caution: Be careful to not scratch the panels on the way up.

Q. The wide rib always overlaps the crimped rib. Is there ever an exception?

A. This sequence is to be followed through the assembly process. However, this will typically happen once on the rear and once on each side wall (vertical wall units only) where there will be either two crimped ribs overlapping or two wide ribs overlapping. This may give it a tighter fit, but it will work.

Q. Can the building be painted?

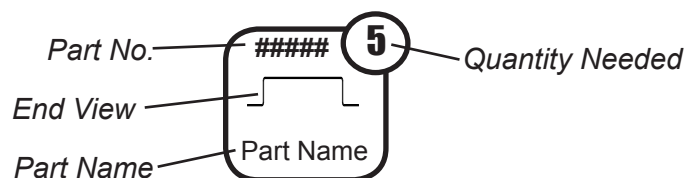
A. The buildings can be painted with an exterior-grade paint designed for use on steel. Contact your local paint supplier for recommendations.

Q. I heard that rust might be an issue with steel; is it?

A. While steel can rust, with proper care this should not be an issue. For a long-lasting finish, periodically clean the exterior surface and apply spray-on car wax. Touch up scratches as soon as you notice them by immediately cleaning the area with a wire brush or emery paper, washing it and applying touch-up paint. This will minimize rust and maintain your shed's attractive appearance for years.

Q. How do I take care of dents in my shed?

A. Proper selection of shed size, including a sufficient door-opening width, and proper placement of your shed should minimize the possibility of damage. If a dent does occur, carefully push the dent out from the opposite side. If the paint has been scratched or removed, touch up the area as soon as you notice it. Immediately clean the area with a wire brush or emery paper, wash it and apply touch-up paint. This will minimize rust and maintain your shed's attractive appearance for years.

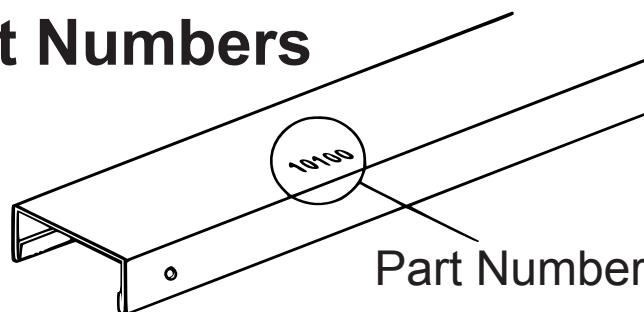


At the top of each page you will see one or more **Part Cues** like the one to the left. These **Part Cues** are designed to help you quickly identify the parts needed for each step.

Confirm that all hardware and parts are present before attempting to assemble your building.

If parts are missing or damaged, include the model number and contact the retailer where you purchased your Storage Unit.

Part Numbers



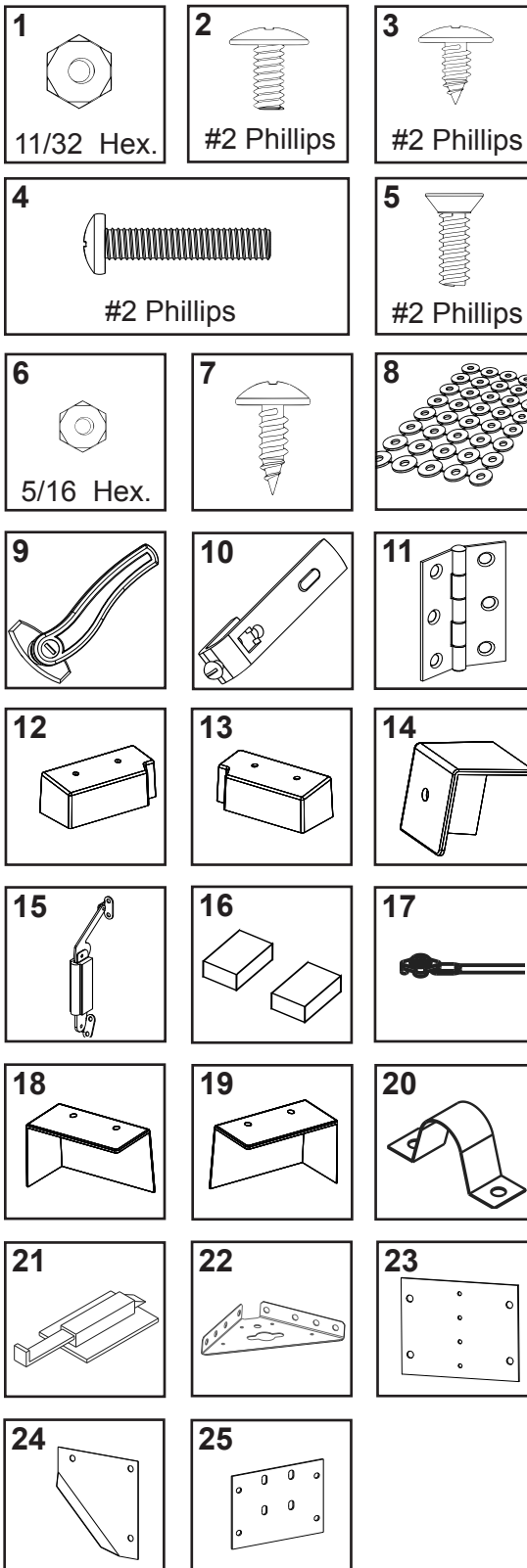
1. Each part has an identifying part number on it.
2. Part Numbers are referenced in each step.
3. Unpainted parts have a stamped in number and painted parts have a number that is inked on.

Remove inked on numbers with soap and water after assembly.

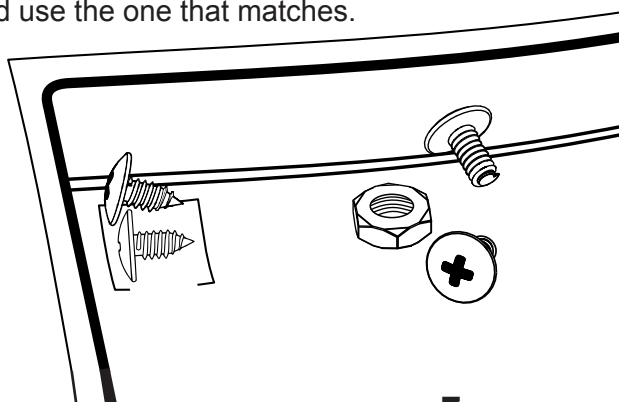
HARDWARE LIST...

Key No.	Part No.	Part Description	Qty.	✓ List
1	65103	Hex Nut (#8-32)	46	
2	65923	Small Bolt (Black) (#8-32 x 3/8) (10 mm)	34	
3	65004	Small Screw (Black) (#8AB x 5/16) (8 mm)	124	
4	65958	Long Bolt (#8-32 x 7/8) (22 mm)	6	
5	66714	Flat Head Bolt (#6-32 x 7/16) (11 mm)	42	
6	65941	Hex Nut (#6-32)	42	
7	66611	Tapping Screw (#10 x 1/2) (13 mm)	8	
8	66646	Washer Sheet	1	
9	66809	Locking Handle	1	
10	66054	Latch	1	
11	66609	Hinge	7	
12	66849L	Left Jamb Cap	1	
13	66849R	Right Jamb Cap	1	
14	66848	Lid Corner Cap	4	
15	66785	Lid Stay	2	
16	11029	Adhesive Pads	2	
17	66850	Lock Bar Assembly	1	
18	66861L	Left Rear Corner Cap	1	
19	66861R	Right Rear Corner Cap	1	
20	66658	Bracket-Camrod	1	
21	66862	Slam Bolt	1	
22	8397	Corner Brace	4	
23	10961	Mounting Plate	4	
24	6481	Gusset	4	
25	11042	Mounting Plate (Slam Bolt)	1	

Hardware Views by Key No.



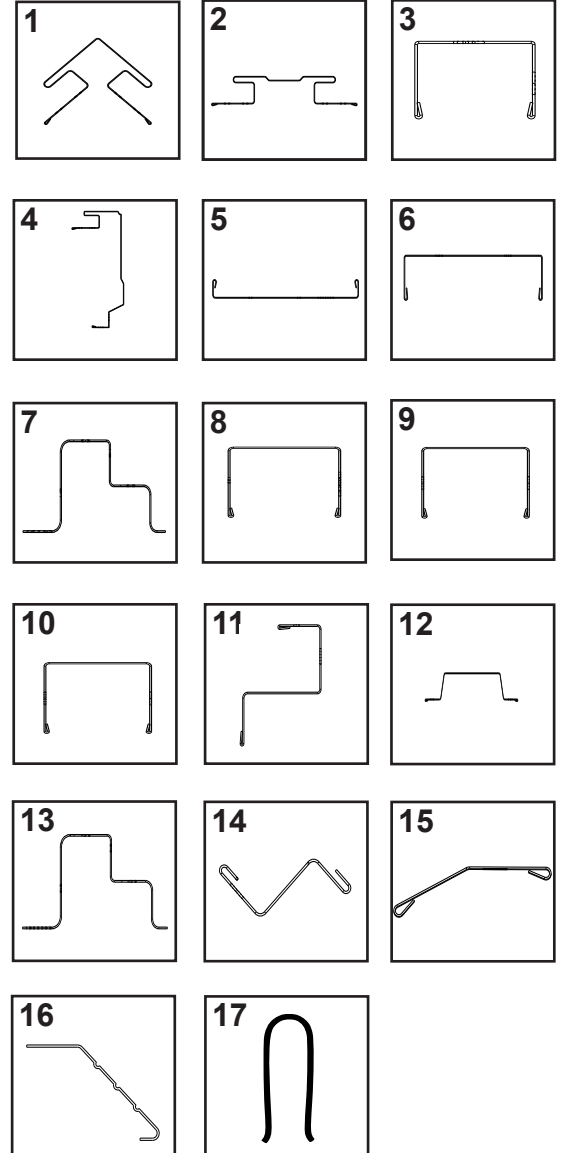
The fasteners used in each step are shown actual size at the top of each page. If you are unsure which fastener to use, hold it up to the picture and use the one that matches.



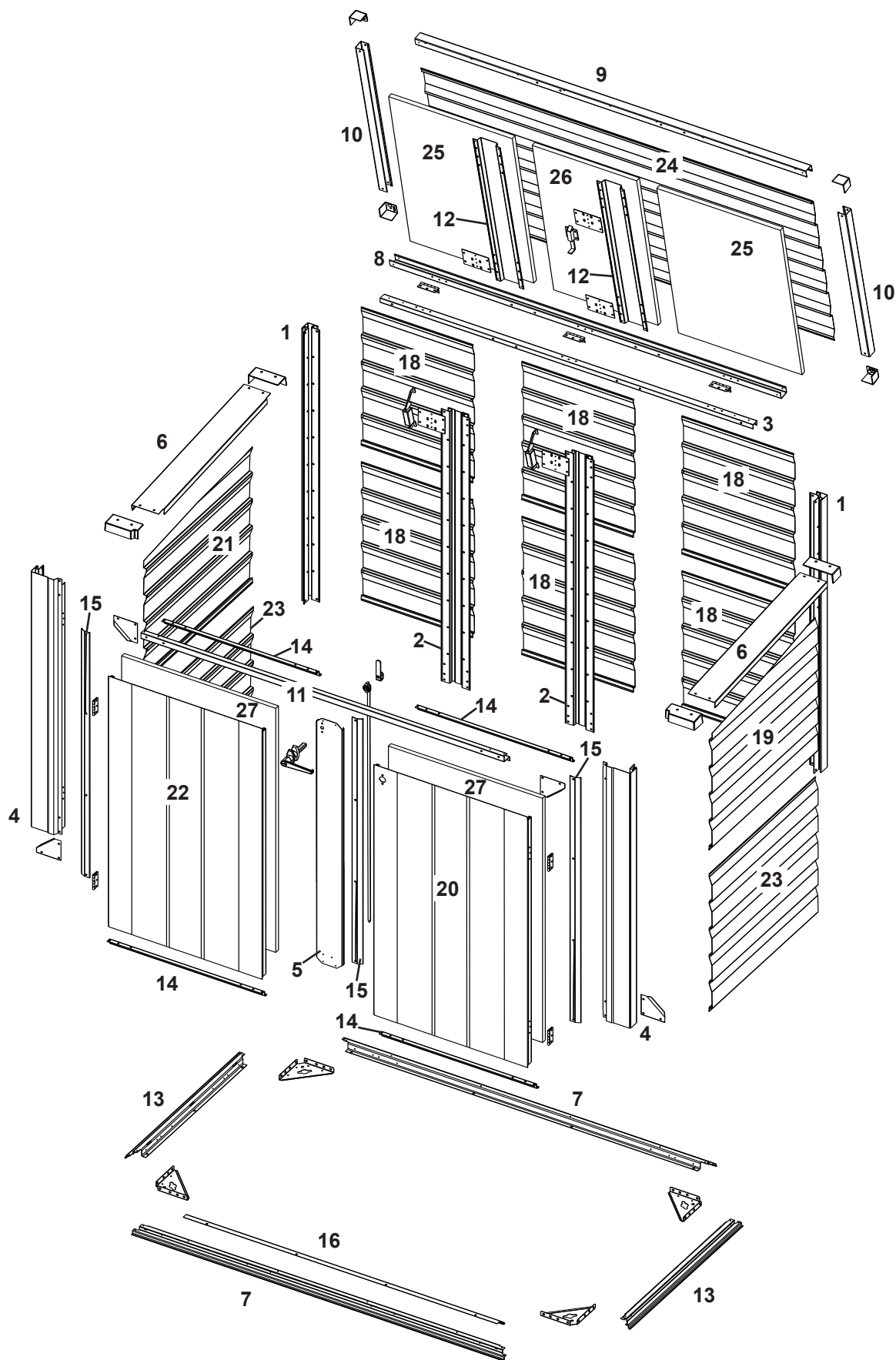
PARTS LIST...

Selected End Views by Key No.

Key No.	Part No.	Part Description	Qty.	✓ List
1	10954	Corner Post	2	
2	10955	Splice Post	2	
3	10957	Channel Wall Rear	1	
4	10960	Door Jamb	2	
5	10963	Brace Door Vertical	1	
6	10964	Channel Side Wall	2	
7	10979	Frame Floor Front-Rear	2	
8	10980	Channel Lid Rear	1	
9	11005	Channel Lid Front	1	
10	10981	Channel Lid End	2	
11	10982	Lintel	1	
12	10983	Lid Brace	2	
13	10984	Frame Floor Side	2	
14	10985	Horizontal Door Brace	4	
15	10959	Door Stop	3	
16	11006	Ramp	1	
17	69835	Edge Trim	1	
18	10956	Rear Siding	6	
19	10958	Panel Gable Right	1	
20	10962	Door Right	1	
21	80097	Panel Gable Left	1	
22	80101	Door Left	1	
23	8827	Side Siding	2	
24	9833	Panel Lid	1	
25	66852	Side Lid Foam Board	2	
26	66853	Lid Foam Board	1	
27	66851	Door Foam Board	2	

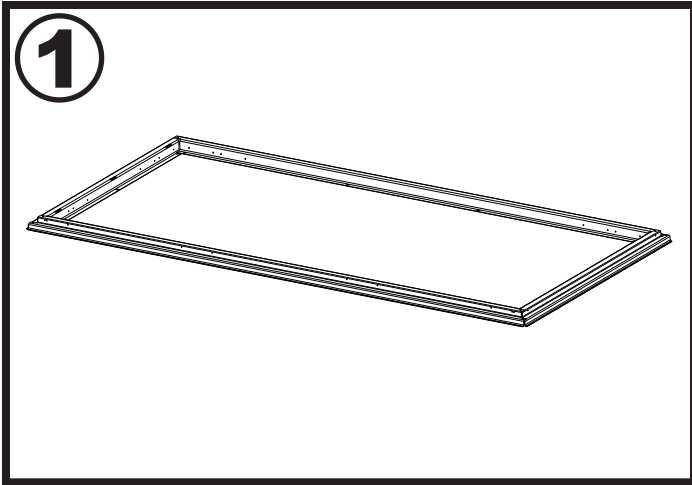


ASSEMBLY BY KEY NO.



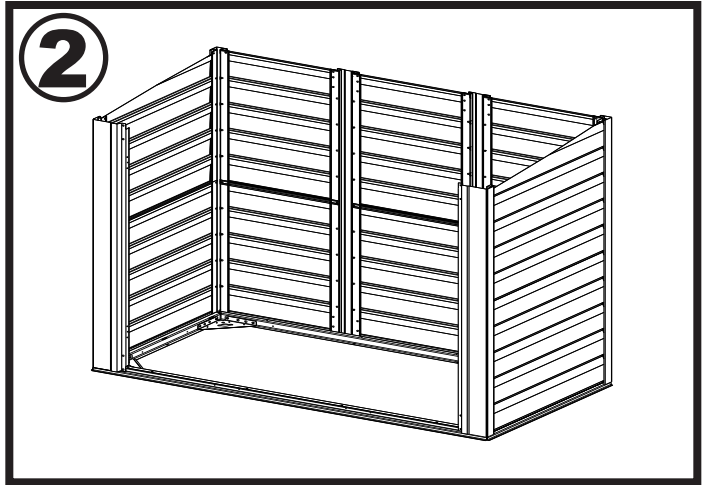
ASSEMBLY OVERVIEW

1



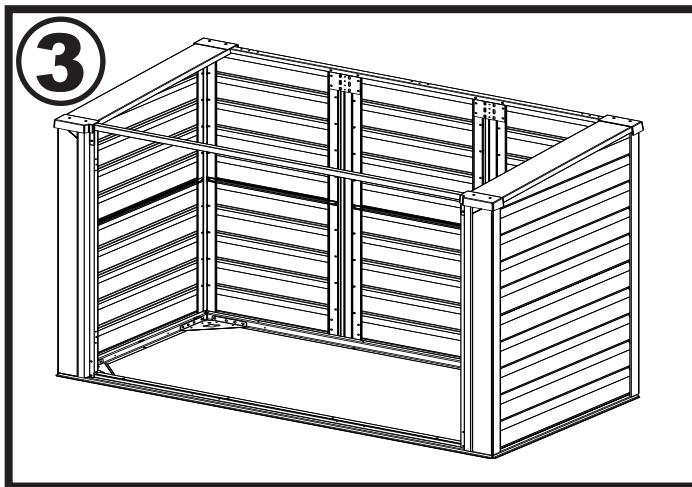
Build the Floor Frame

2



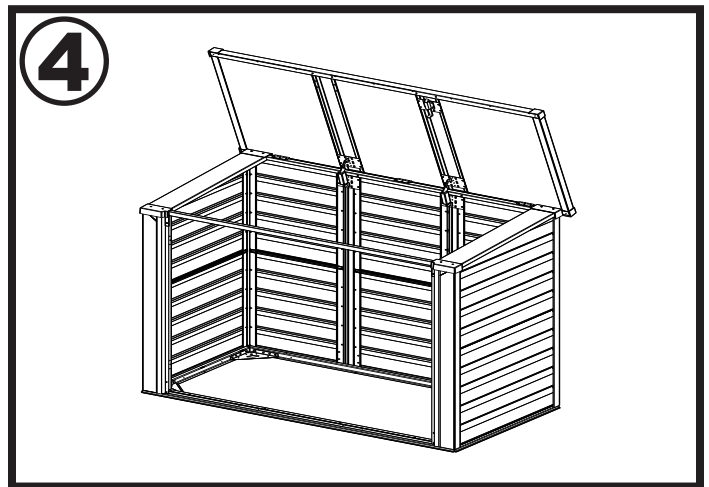
Install Posts and Wall Panels

3



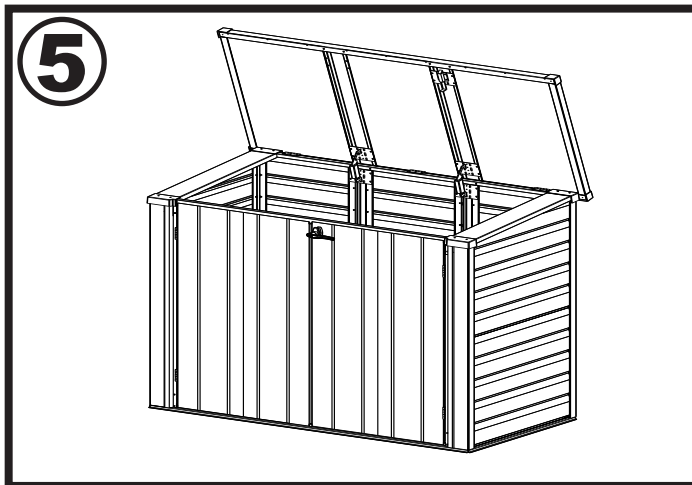
Install Side Channel, Rear Channel, & Lintel

4



Install Lid

5



Install Doors

CONSTRUCTING A BASE...

No matter which of the options below you choose for a base, an ARROW ANCHORING KIT is recommended as an effective method of properly securing your building after assembly is complete.

OPTION 1: Directly on ground (earth)

Assemble your building directly on level ground (grass, dirt, rock, sand, etc.).

Allow 1 - 2 hours for construction.

OPTION 2: Wood Platform

If you decide to build your own base, be sure to select the appropriate materials.

These are the recommended materials for your base:

- 2 x 4's (38 mm x 89 mm) Pressure Treated Lumber • 5/8" (15,5 mm) 4 x 8 (1220 mm x 2440 mm) Plywood-exterior grade
- 10 & 4 penny Galvanized Nails • Concrete Blocks (optional)

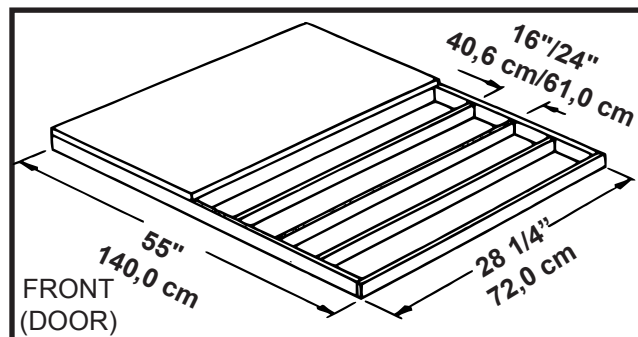
NOTE: Pressure Treated Lumber must not be used where it will make contact with your storage building. The properties of Pressure Treated Lumber will cause accelerated corrosion. **If Pressure Treated Lumber comes in contact with your storage building your warranty will be voided.**

The platform should be level and flat (free of bumps, ridges etc.) to provide good support for the building. The necessary materials may be obtained from your local lumber yard.

To construct the base follow instructions and diagram.

- Construct frame (using 10 penny galvanized nails)
- Measure 16"/24" (40,6 cm/61,0 cm) sections to construct inside frame (see diagram)
- Secure plywood to frame (using 4 penny galvanized nails)

Allow 6 - 7 hours for construction.



Note: Platform/Slab will extend 9/16" (1,4 cm) beyond floor frame on all four sides. Seal this 9/16" (1,4 cm) of wood with a roofing cement (not included), or bevel this 9/16" (1,4 cm) of concrete when pouring, for good water drainage.

OPTION 3: Concrete Slab

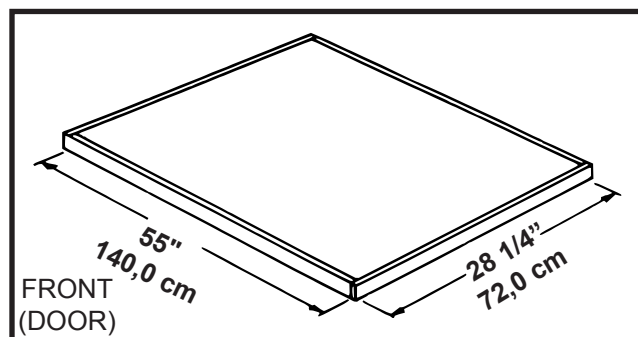
The slab should be at least 4" (10,2 cm) thick. It must be level and flat to provide good support for the frame.

The following are the recommended materials for your base.

- 1 x 4's (19 mm x 89 mm) (will be removed once the concrete cures)
- Concrete • Sheet of 6 mil plastic
- We recommend for a proper strength concrete to use a mix of: 1 part cement • 3 parts pea sized gravel • 2 1/2 parts clean sand

Prepare the Site/Construct a Base

1. Dig a square, 6" (15,2 cm) deep into the ground (remove grass).
2. Fill up to 4" (10,2 cm) in the square with gravel and tamp firm.
3. Cover gravel with a sheet of 6 mil plastic.
4. Construct a wood frame using four planks of 1x4 (19 mm x 89 mm) lumber.
5. Pour in concrete to fill in the hole and the frame giving a total of 4" (10,2 cm) thick concrete. Be sure surface is level.

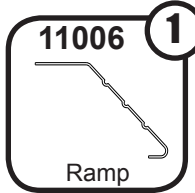
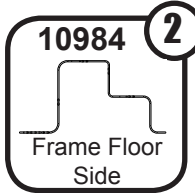
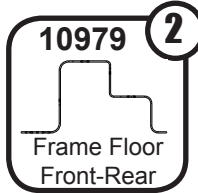


Note: Finished Slab dimensions, with lumber removed.

Allow 3 - 5 hours for construction and a week for concrete curing time.

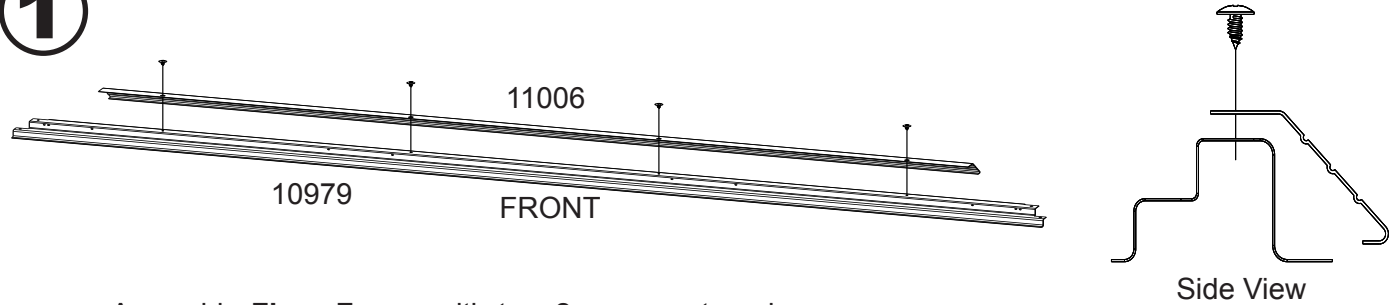
Step 1: Frame Assembly

You will need for this page:

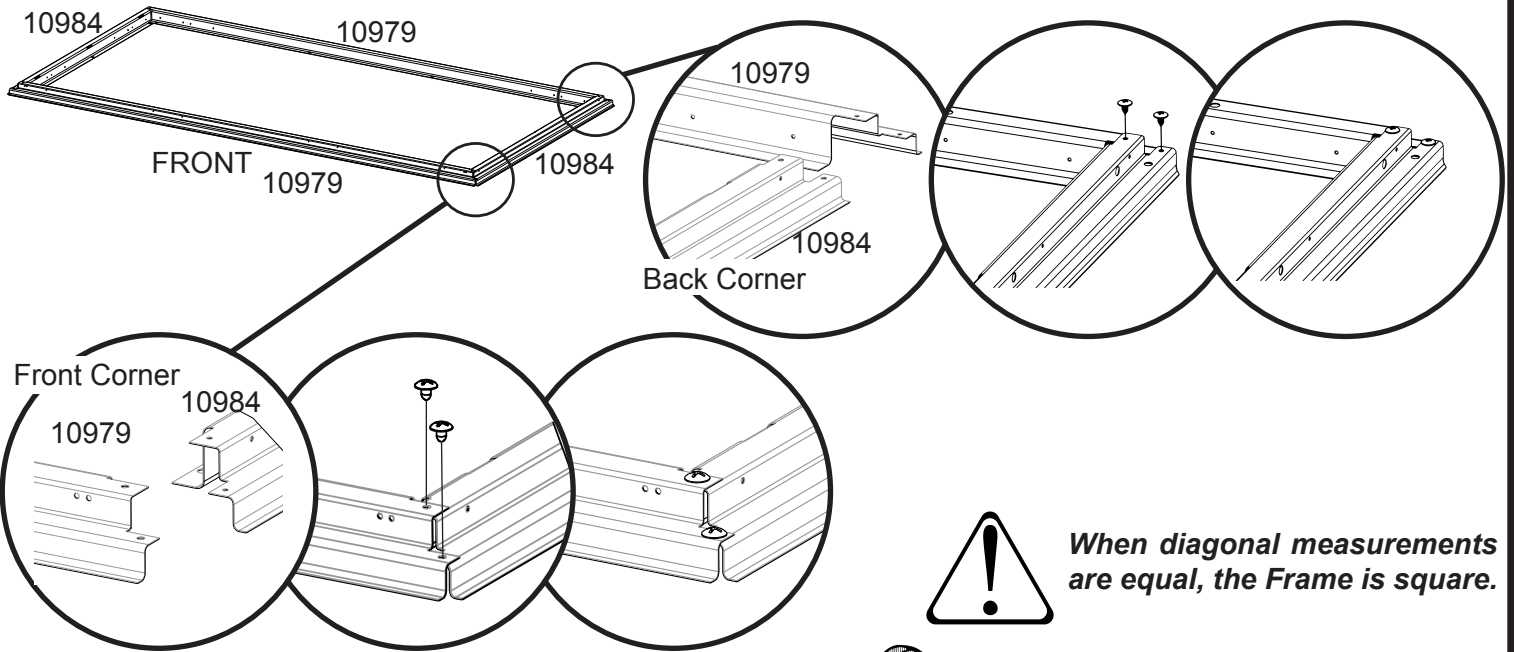


NOTE Do NOT fasten your Floor Frames to your Base at this time. You will anchor your building after it is erected. If using a Floor Frame Kit, you must wait until after assembly to install it.

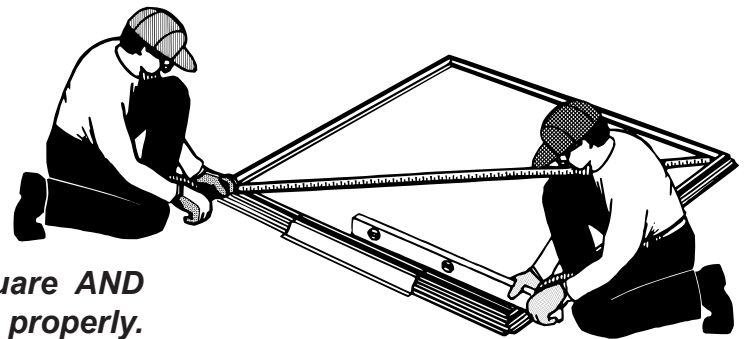
1 Attach the Ramp to the Front Floor Frame with four 4 screws.



2 Assemble Floor Frame with two 2 screws at each corner as shown.



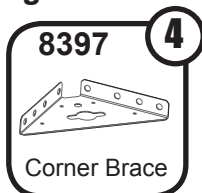
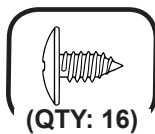
When diagonal measurements are equal, the Frame is square.



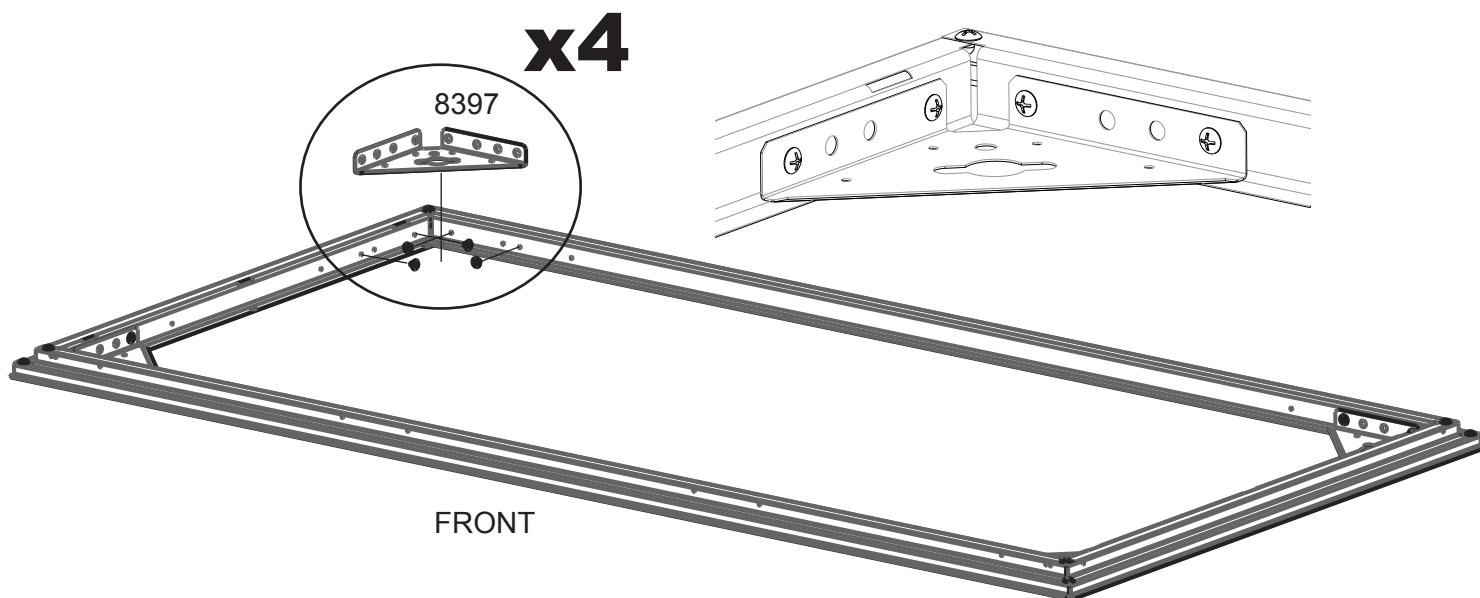
The Floor Frame must be BOTH square AND level or the holes will not line up properly.

Step 1: Continued

You will need for this page:

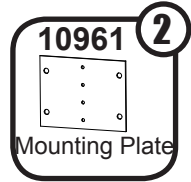
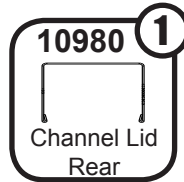
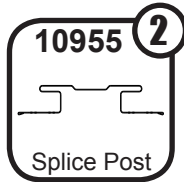
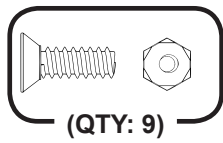
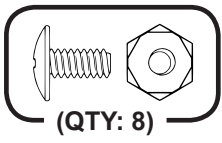


- 3** Secure **Corner Braces to Floor Frame Assembly** with four 4 screws at each corner as shown.



Step 2: Post/Channel Assembly

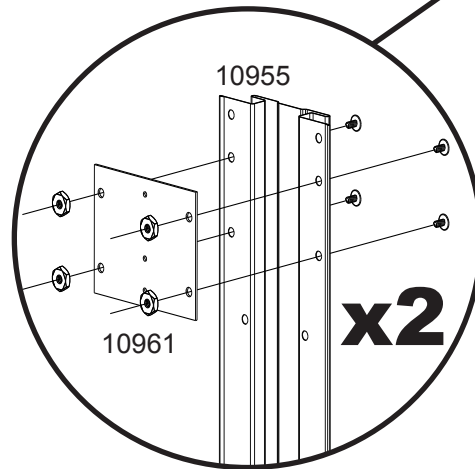
You will need for this page:



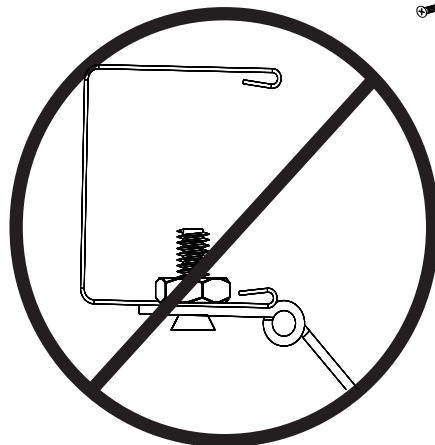
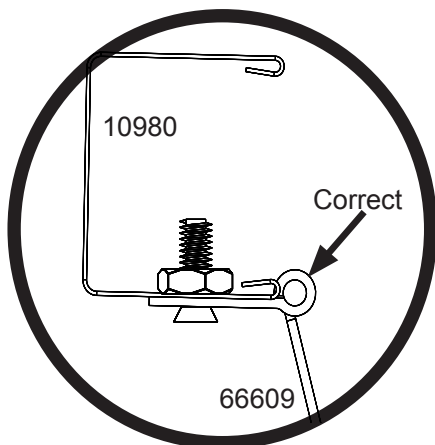
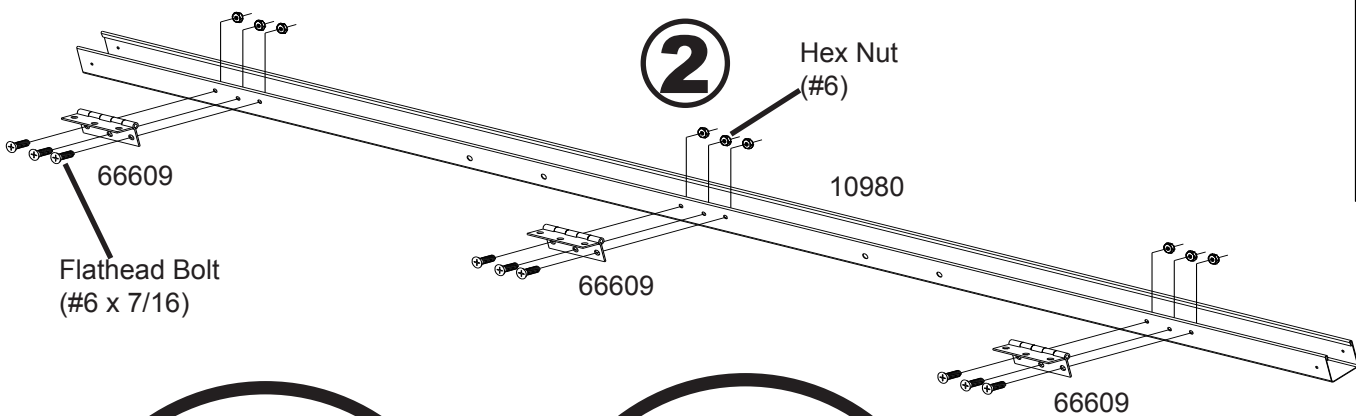
1 Attach a **Mounting Plate** to a **Splice Post** with four 4 bolts. Make two 2 assemblies. Set aside for use in step 6.

2 Attach three 3 **Hinges** to the **Rear Channel Lid** using three 3 flat head bolts (#6 x 7/16) for each. Set aside for use in step 4.

1

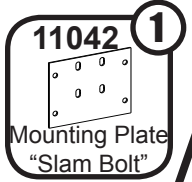
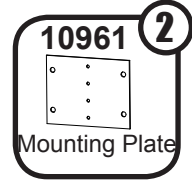
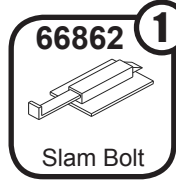
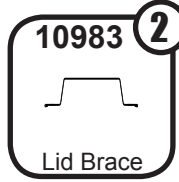
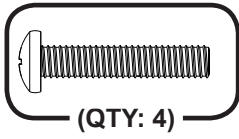
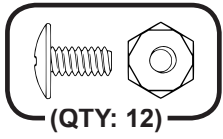


2

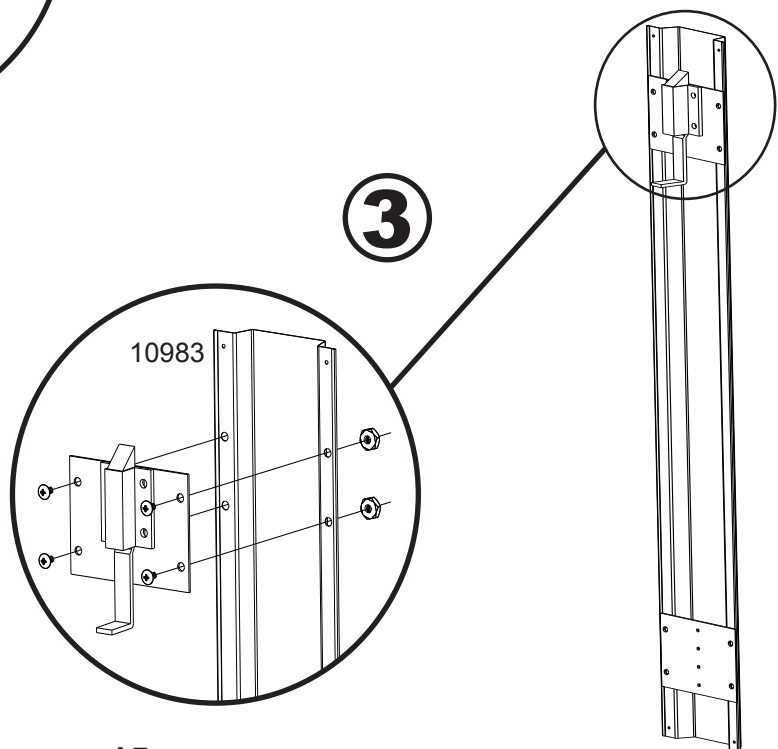
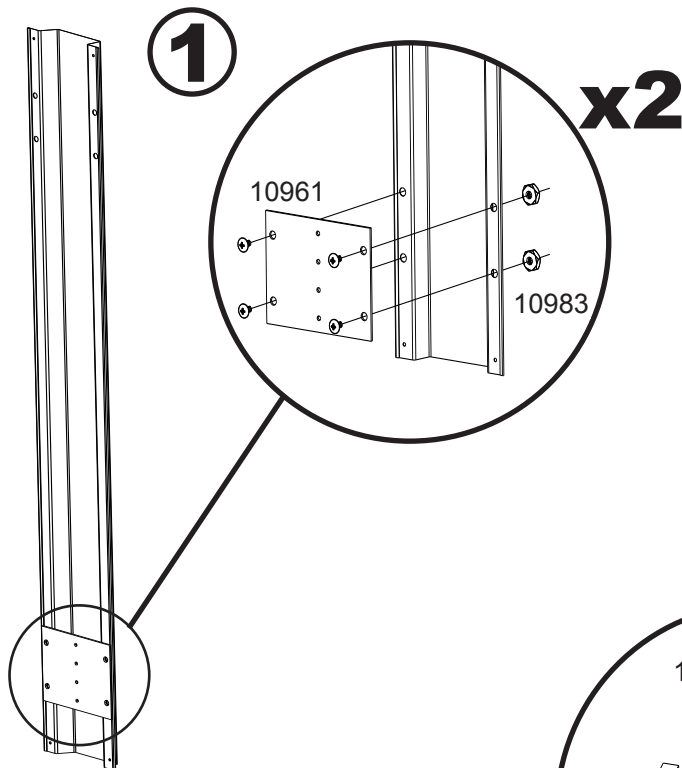
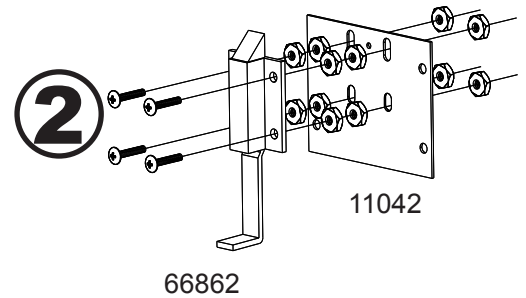
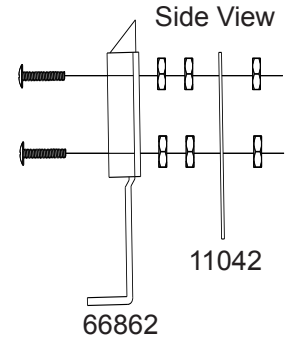


Step 3: Lid Brace Assembly

You will need for this page:

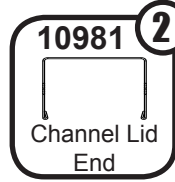
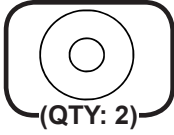


- 1** Attach a **Mounting Plate** to the **Lid Braces** with four 4 bolts. Make two 2 assemblies.
- 2** Attach the **Slam Bolt** to the **"Slam Bolt" Mounting Plate** using four 4 long bolts.
- 3** Attach the **Slam Bolt Plate Assembly** to one of the **Lid Braces** using four 4 bolts.



Step 4: Lid Assembly

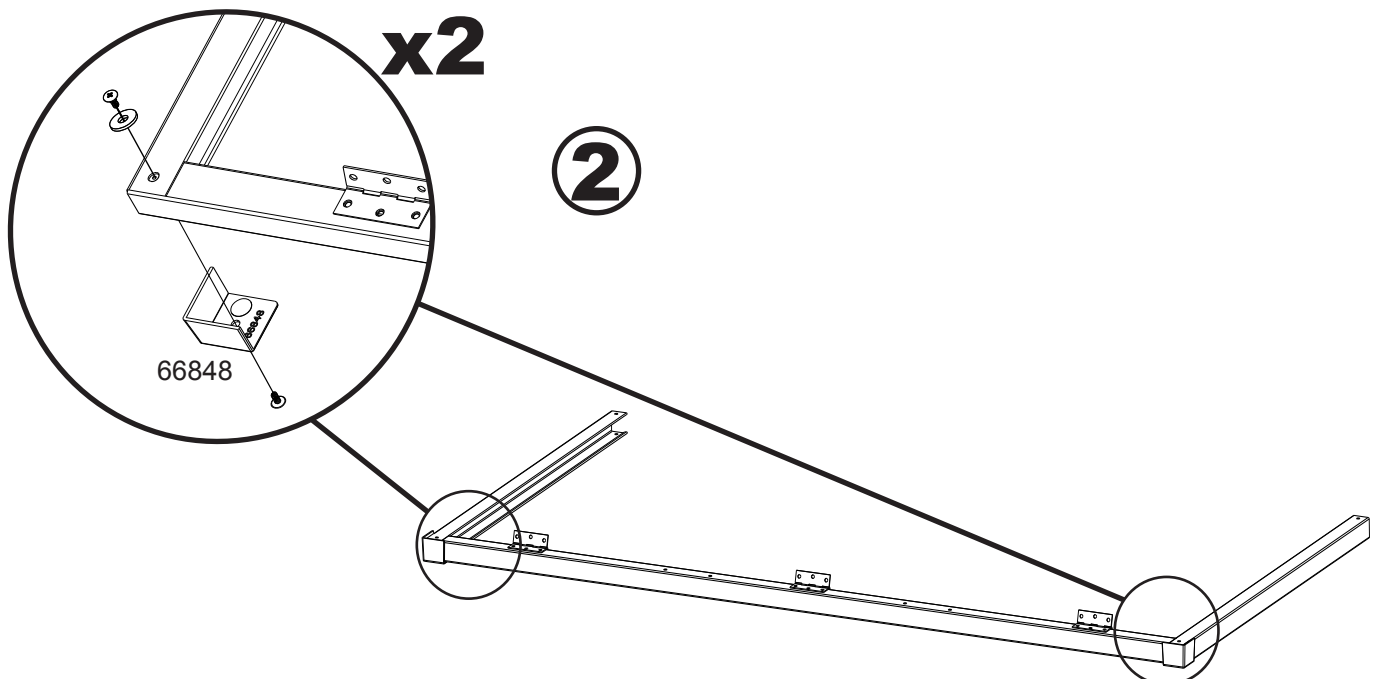
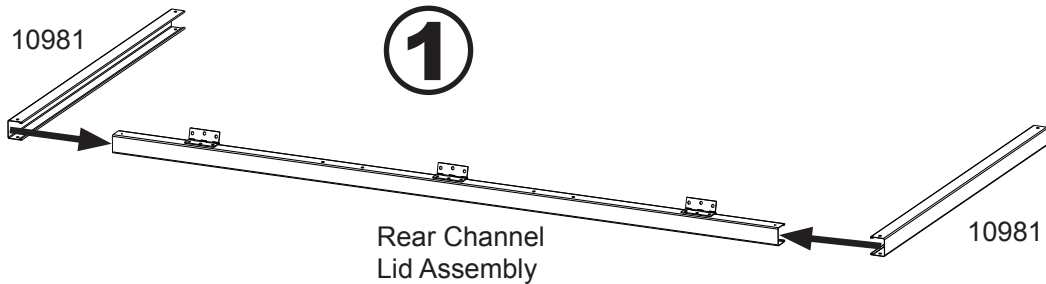
You will need for this page:



Assembly from Step 2:

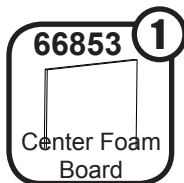
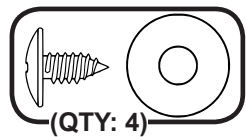
- Rear Channel Lid Assembly

- 1 Place the **Channel Lid Ends** on the ends of the **Rear Channel Lid Assembly** at right angles.
- 2 Place the **Lid Corner Caps** on the corners. Use two 2 screws for each corner.



Step 4: Continued

You will need for this page:

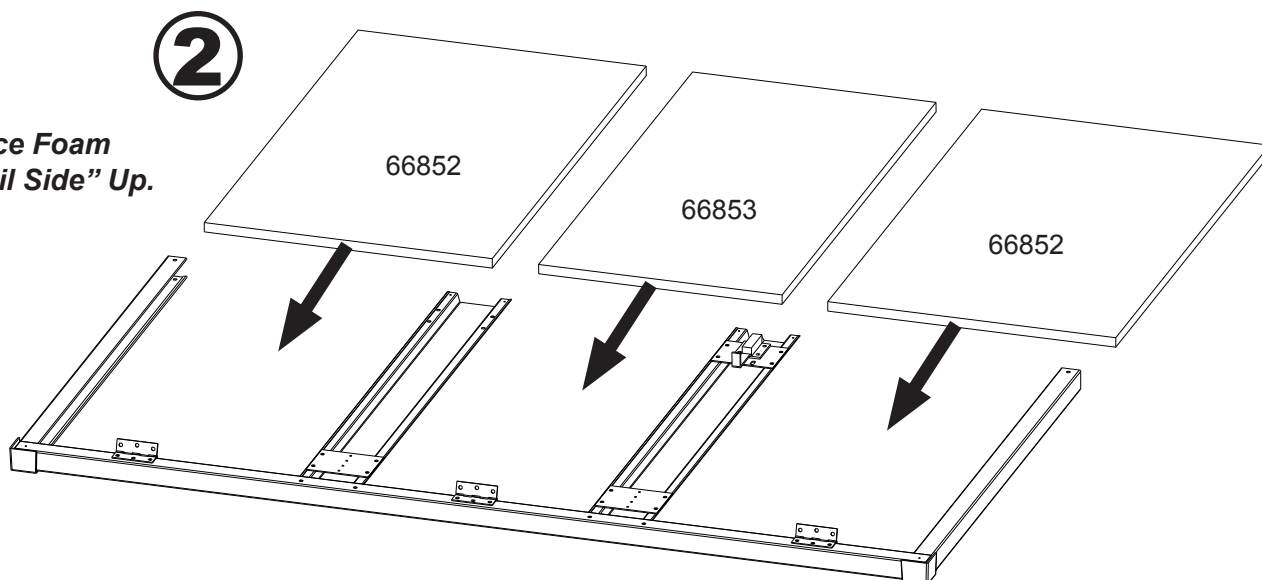
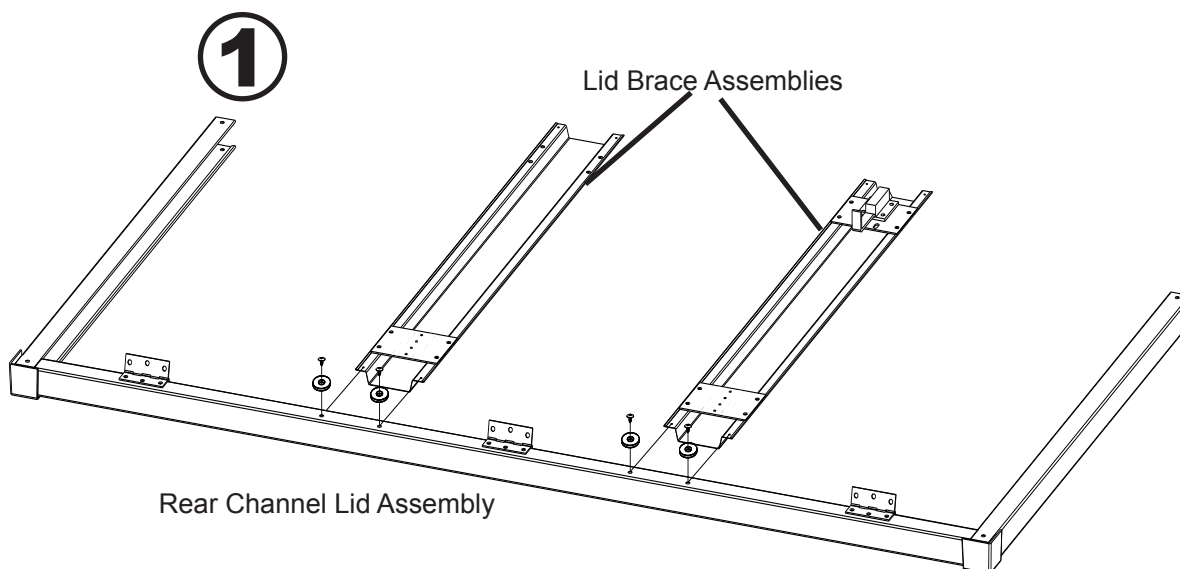


Assembly from Step 3:

- Lid Brace Assemblies

1 Slide the **Lid Brace Assemblies** into the **Rear Channel Lid Assembly** so that the holes line up. Use two 2 screws each to secure them.

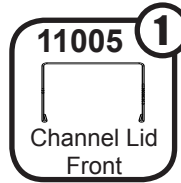
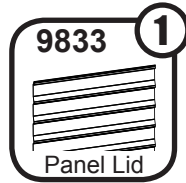
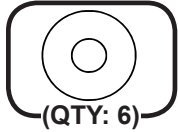
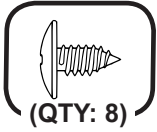
2 Slide the **Outer Foam Boards** and **Center Foam Board** between the **Channel Lid Ends** and **Lid Brace Assemblies**.



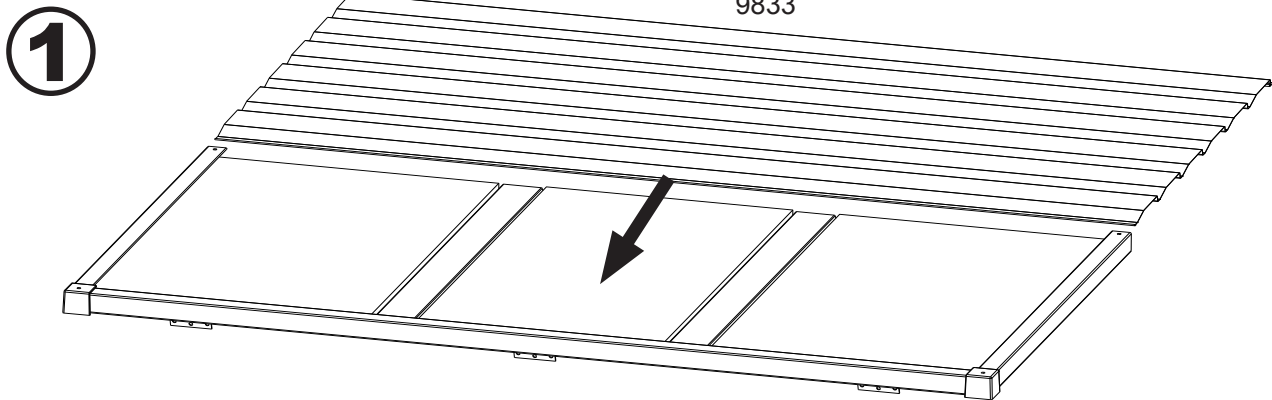
NOTE Place Foam
"Foil Side" Up.

Step 4: Continued

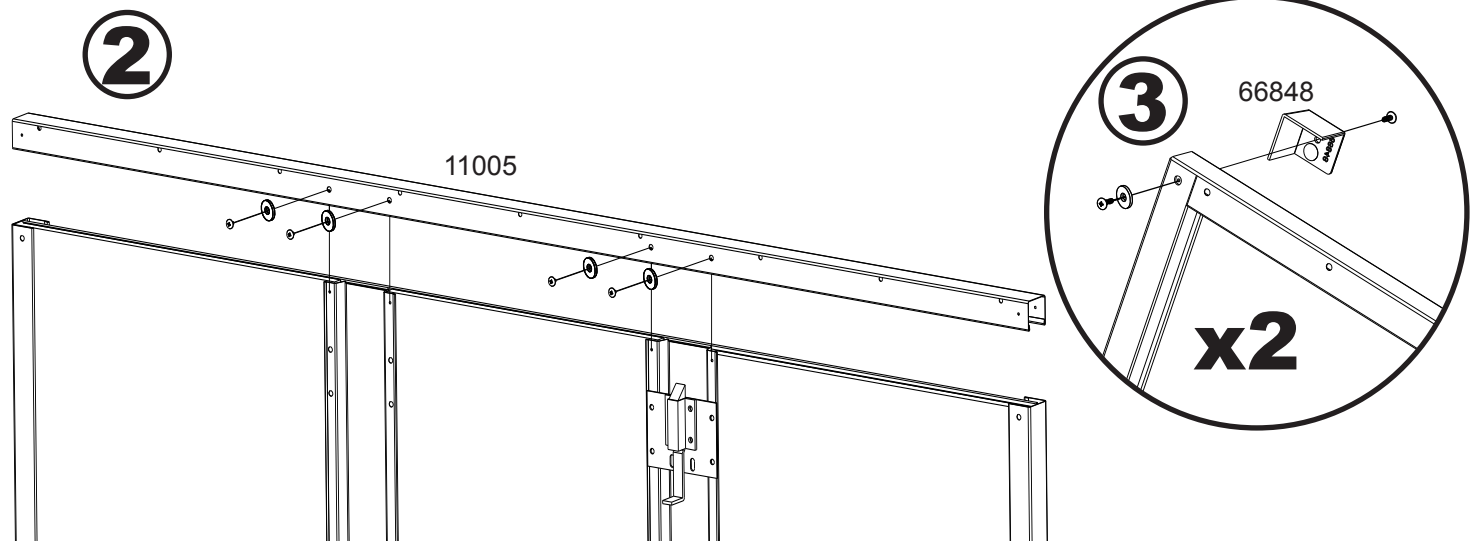
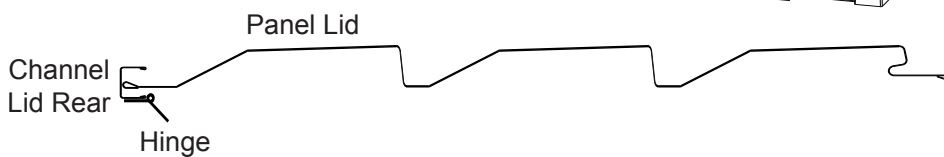
You will need for this page:



- 1 Flip the Frame over. Slide the **Panel Lid** in behind the **Foam Boards**.
- 2 Place the **Channel Lid Front** on the front of the **Panel Lid**. Secure them to the **Lid Brace Assemblies** with two 2 screws in each.
- 3 Place the **Lid Corner Caps** on the corners where the **Channel Lid Front** and **Channel Lid Ends** overlap. Use two 2 screws to secure each.

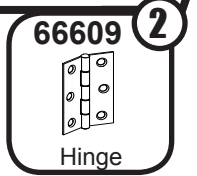
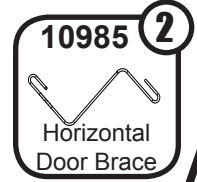
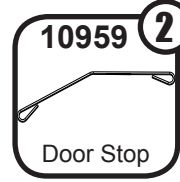
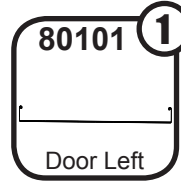
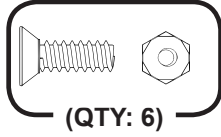
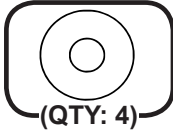
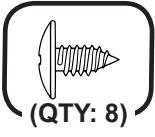


NOTE



Step 5: Door Assembly

You will need for this page:



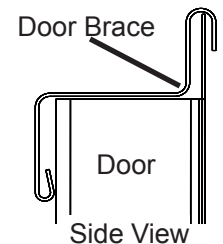
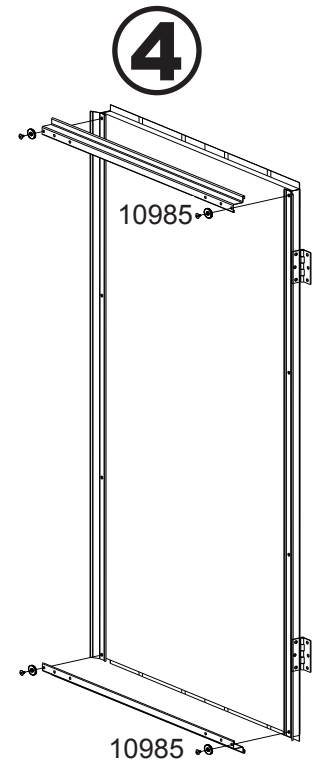
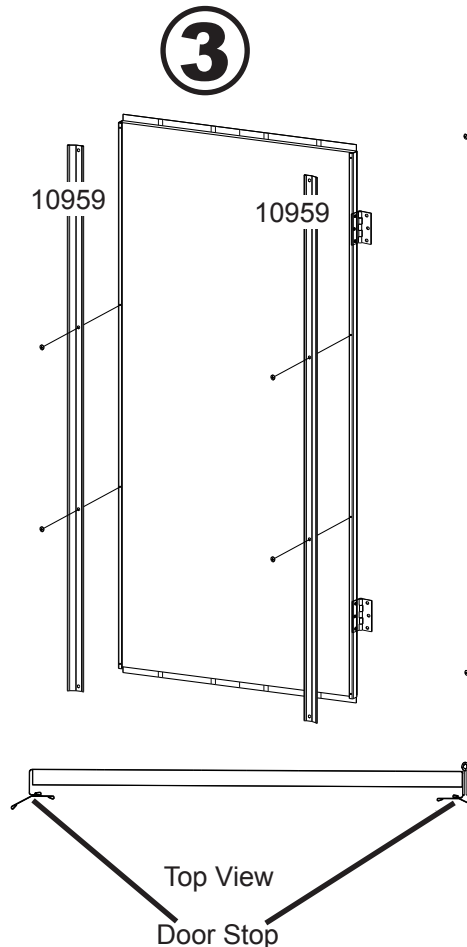
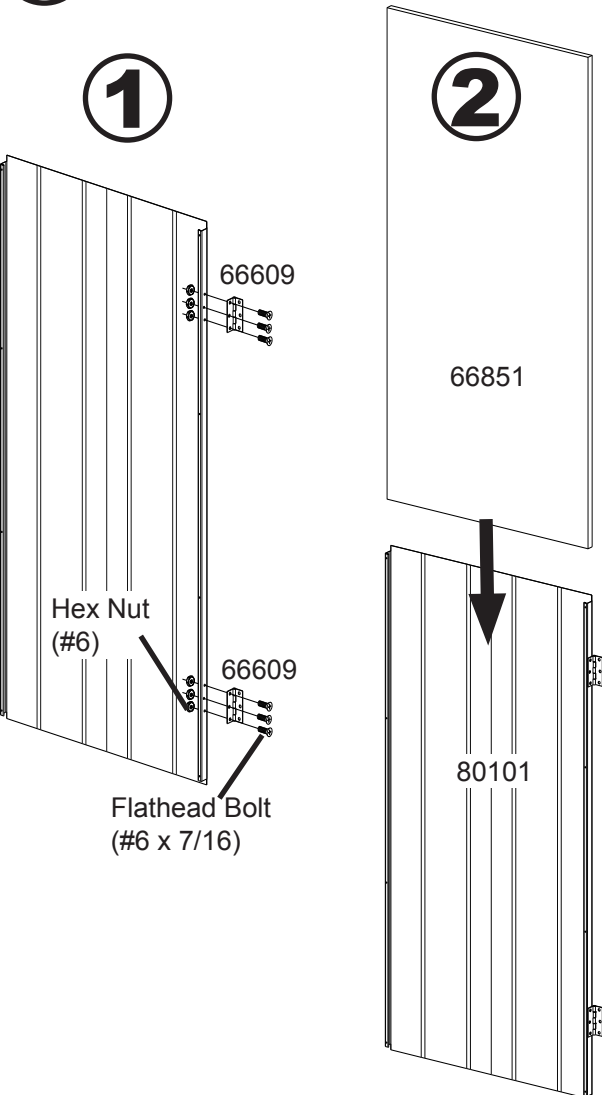
1 Secure two 2 Hinges to the side of the Left Door with three 3 flat head bolts (#6 x 7/16) each.

2 Slide the Door Foam Board into the Left Door.

NOTE Place Foam "Foil Side" Out.

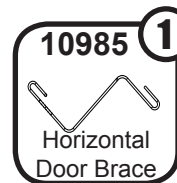
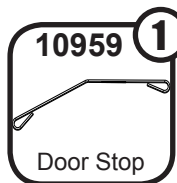
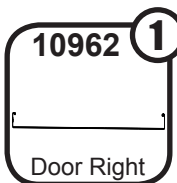
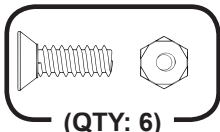
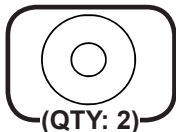
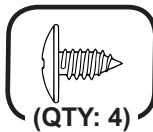
3 Secure two 2 Door Stops to the Door with two 2 screws in the middle for each.

4 Secure two 2 Horizontal Door Braces to the top and bottom of the Door and Door Stops. Use two 2 screws each.



Step 5: Continued

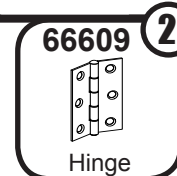
You will need for this page:



① Secure two 2 Hinges to the side of the **Right Door** with three 3 flat head bolts (6 x 7/16) each.

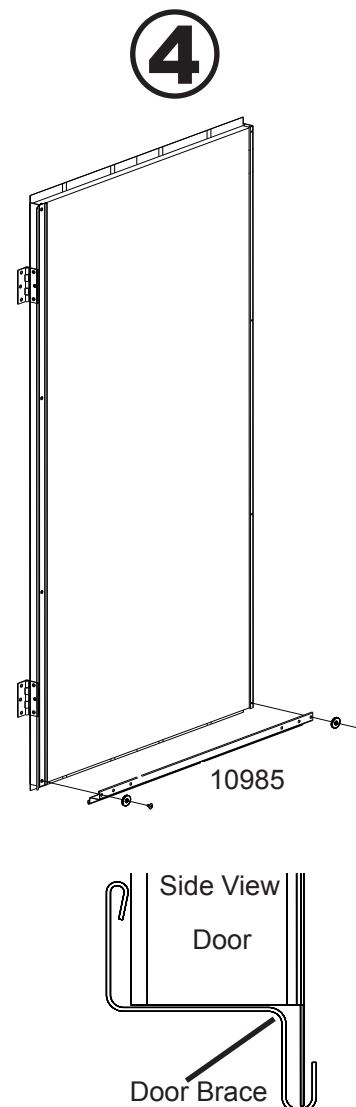
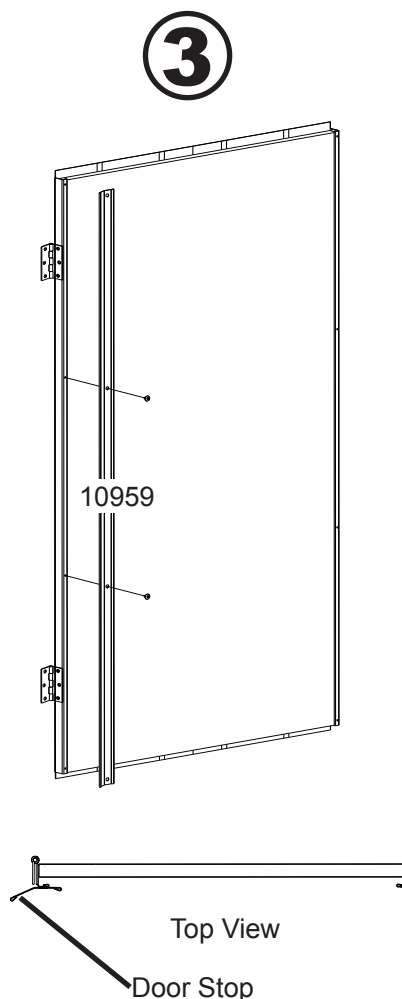
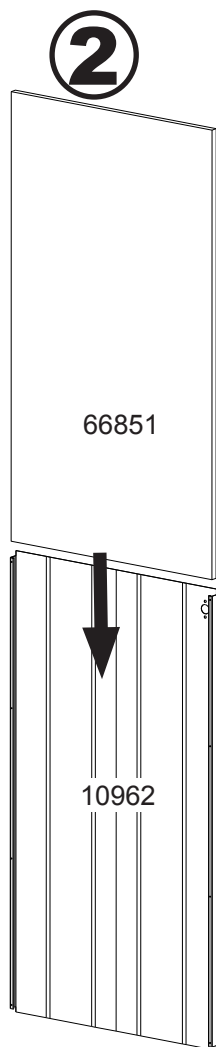
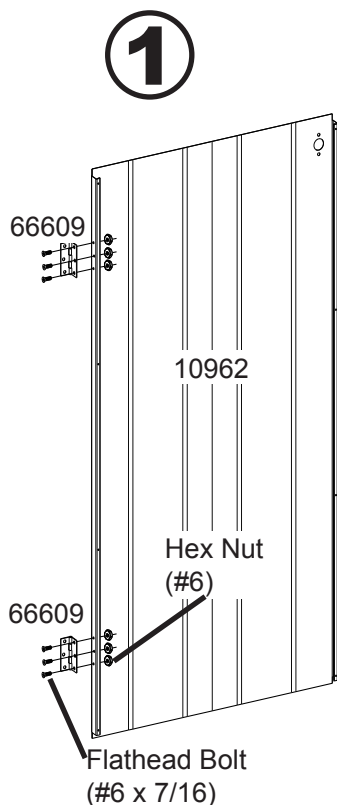
② Slide the **Door Foam Board** into the **Right Door**.

NOTE Place Foam "Foil Side" Out.



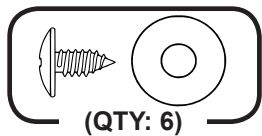
③ Secure one **Door Stop** to the **Door** with two 2 screws in the middle.

④ Secure one 1 **Horizontal Door Brace** to the bottom of the **Door** and the **Door Stop**. Use two 2 screws.



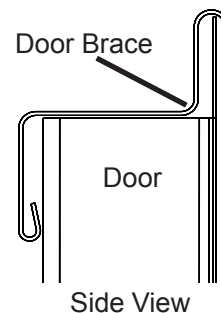
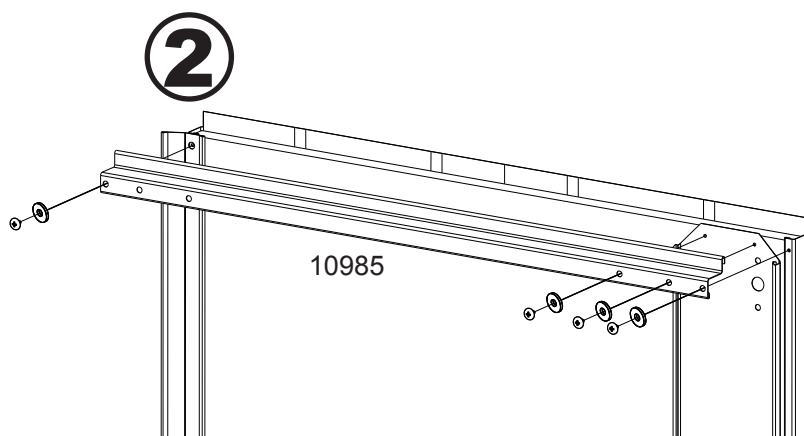
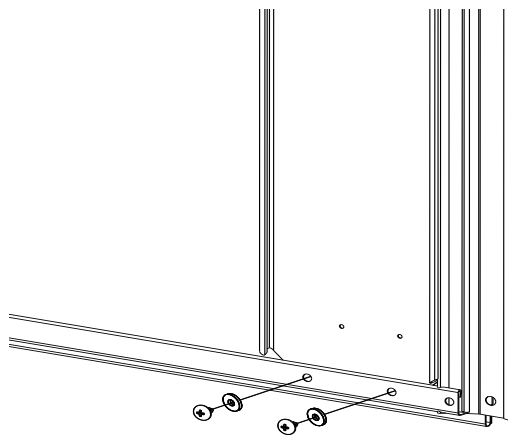
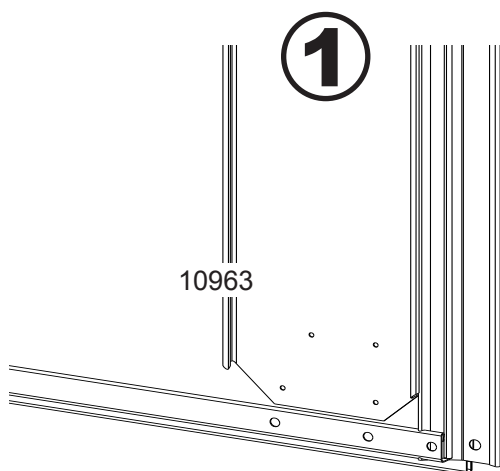
Step 6: Door Lock Assembly

You will need for this page:



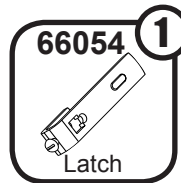
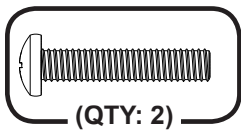
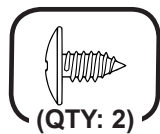
1 Slide the **Vertical Door Brace** behind the bottom **Horizontal Door Brace** in the **Right Door Assembly**. Use two 2 screws to secure the **Vertical Door Brace** to the **Horizontal Door Brace**.

2 Secure the **Horizontal Door Brace** to the top of the **Door** and **Vertical Door Brace**. Use four 4 screws.



Step 6: Continued

You will need for this page:

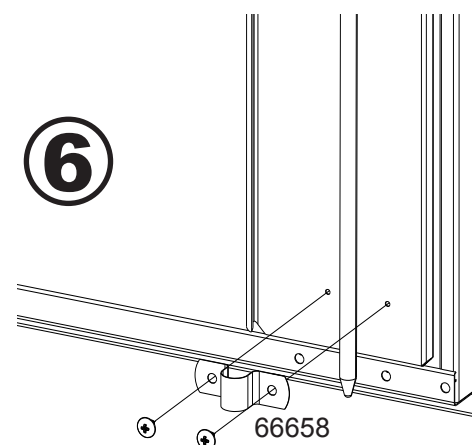
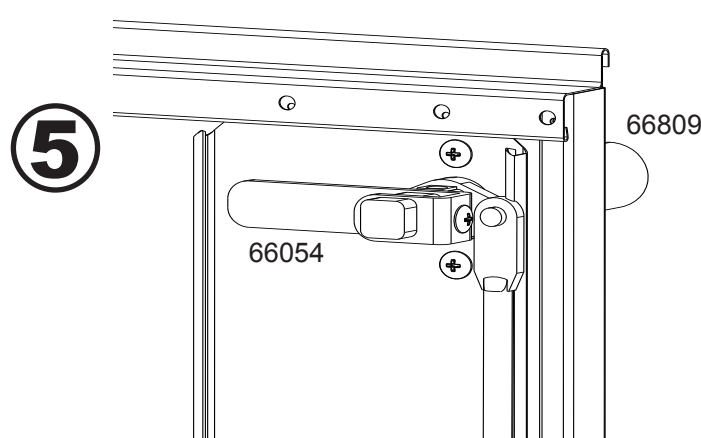
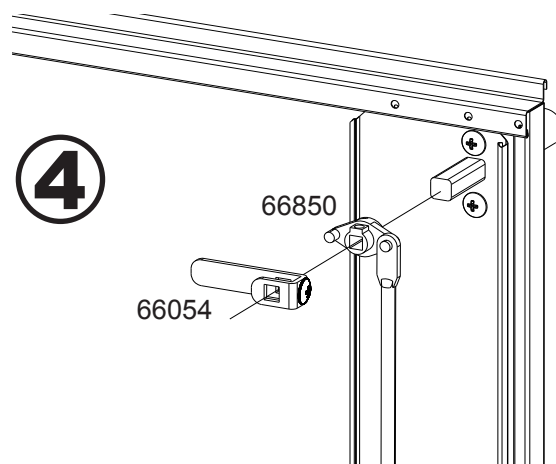
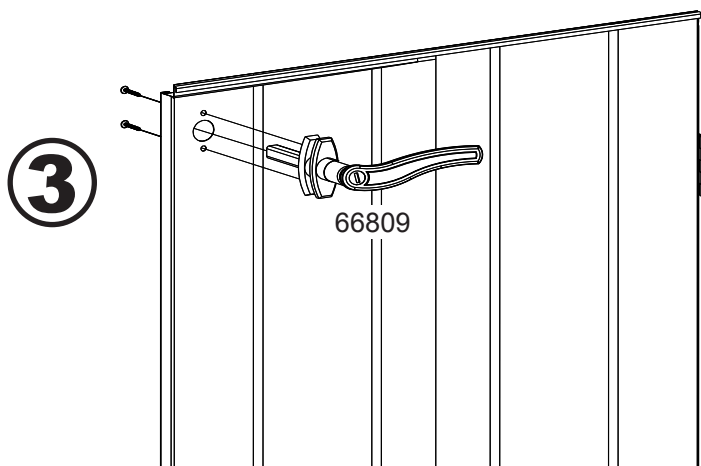


3 Drill a hole in the **Foam Board** where the **Locking Handle** will go. Slide the **Handle** through the hole. Secure with two 2 long bolts (#8 x 7/8).

4 Place the **Door Lock Assembly** onto the **Locking Handle**, followed by the **Latch**.

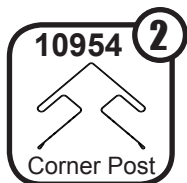
5 Use a screw to secure the **Latch** to the **Locking Handle**

6 Place the **Bracket-Camrod** around the **Door Lock Assembly** on the bottom of the **Vertical Door Brace**. Secure with two 2 screws.



Step 7: Back Wall

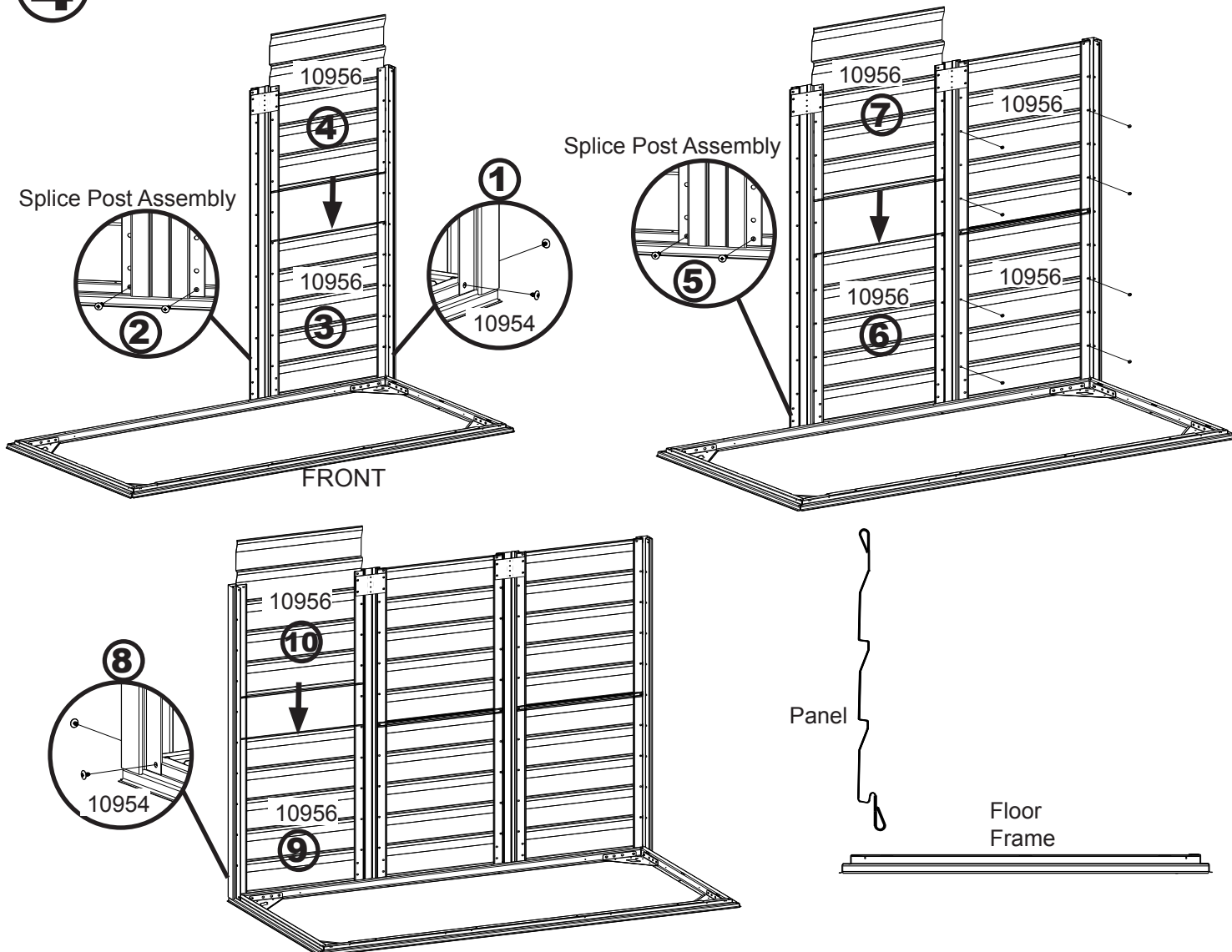
You will need for this page:



Assembly from Steps 1 & 2:

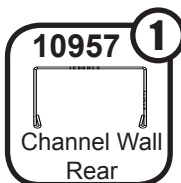
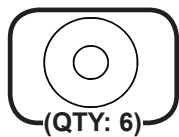
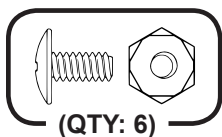
- Floor Assembly
- Splice Post Assembly x2

- 1 Attach a **Corner Post** to the back right corner of the **Floor Frame**. Secure with two 2 screws. Attach a **Splice Post Assembly** to the back of the **Floor Frame** with two 2 screws.
- 2 Slide two 2 **Rear Panels** inbetween the **Corner Post** and **Splice Post**. Use four 4 screws to secure each.
- 3 Attach another **Splice Post Assembly** to the **Floor Frame**. Slide two 2 **Rear Panels** between the two 2 **Splice Posts** and secure with four 4 screws each.
- 4 Attach a **Corner Post** to the back left corner of the **Floor Frame**. Slide two 2 **Rear Panels** between the **Splice Post** and **Corner Post** and secure with four 4 screws each.



Step 7: Continued

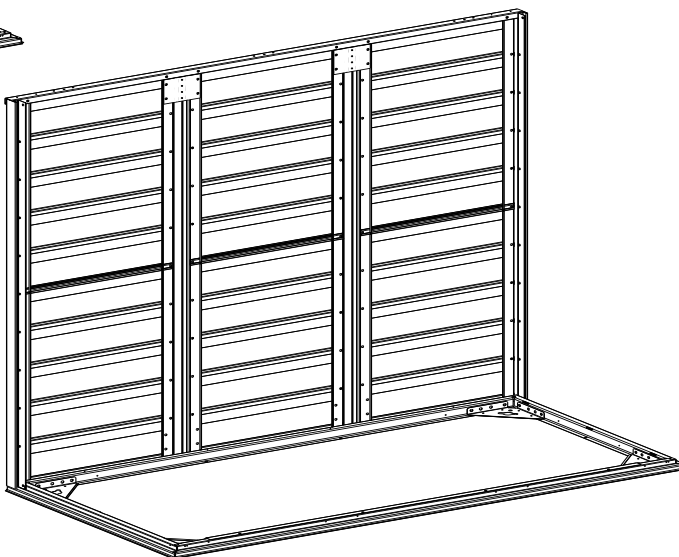
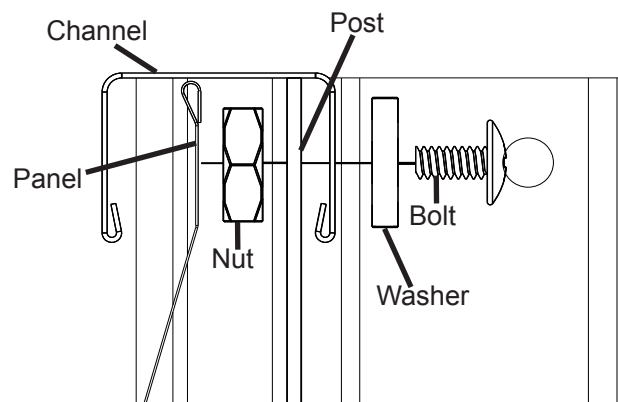
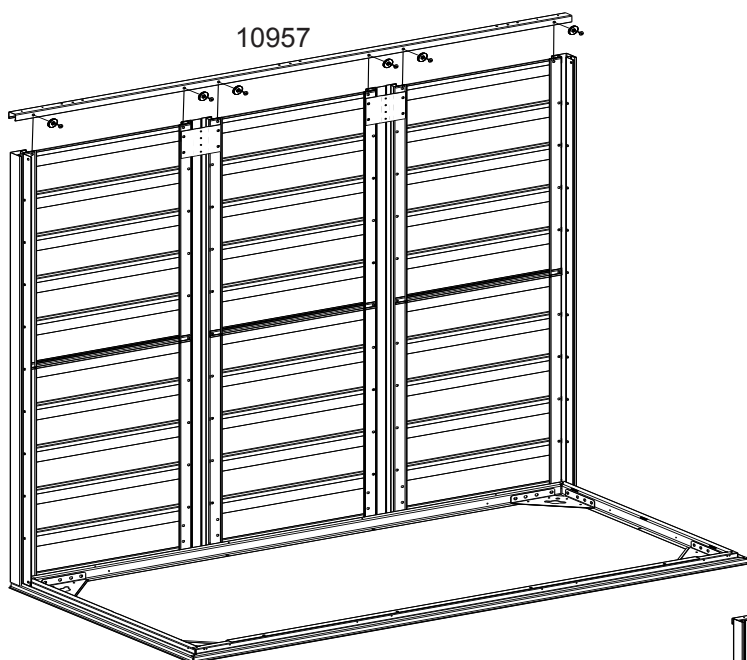
You will need for this page:



5

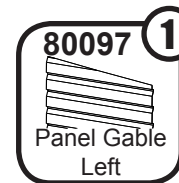
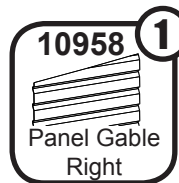
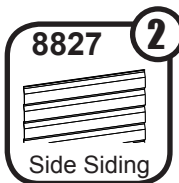
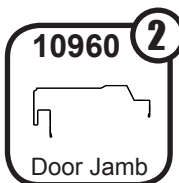
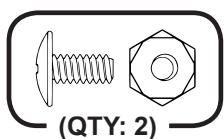
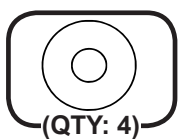
Place the **Rear Wall Channel** on top of the Back Wall. Secure to the **Corner Posts** and **Splice Posts** with six 6 bolts.

NOTE Place the Channel on the Posts so the holes line up. Hold the Nut on the backside of the Posts so it lines up with the holes. Screw the Bolt through the Channel, Post, and Nut.



Step 8: Side Walls

You will need for this page:



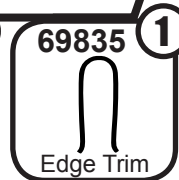
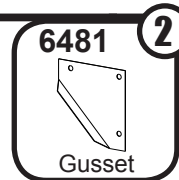
1 Secure **Door Jambs** and **Gussets** to front corners of the **Floor Frame**. Secure each with two 2 screws.

2 Secure **Gussets** to **Door Jambs** with one 1 bolt and nut each.

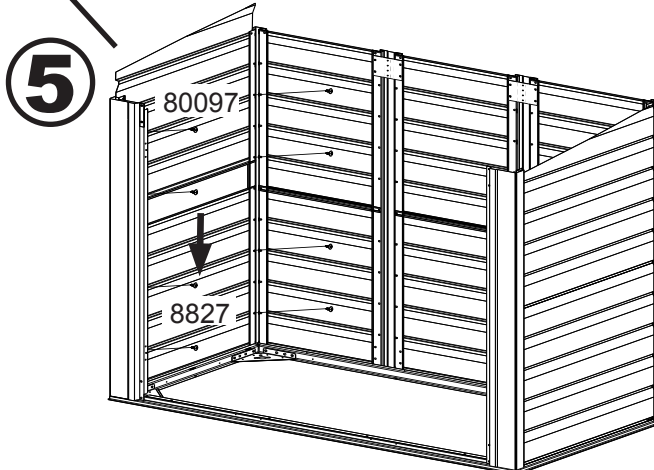
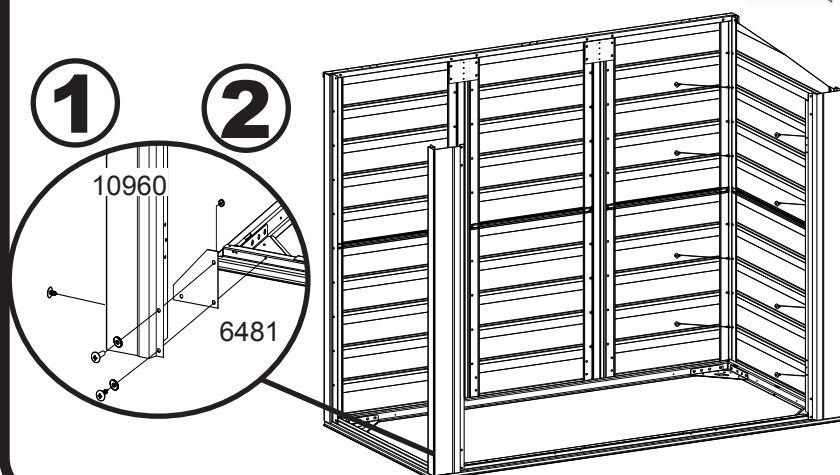
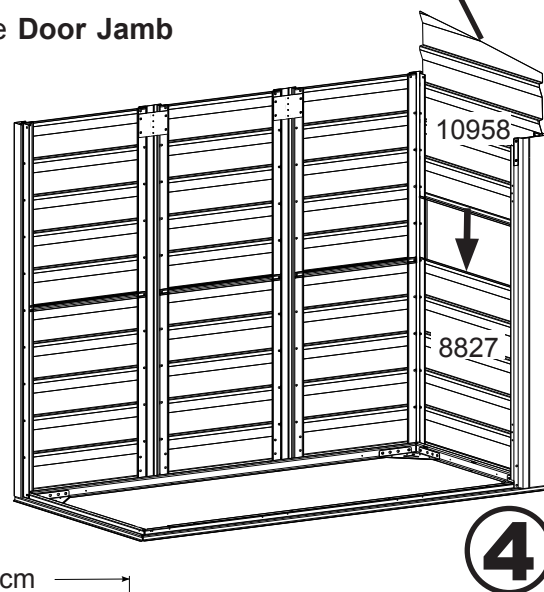
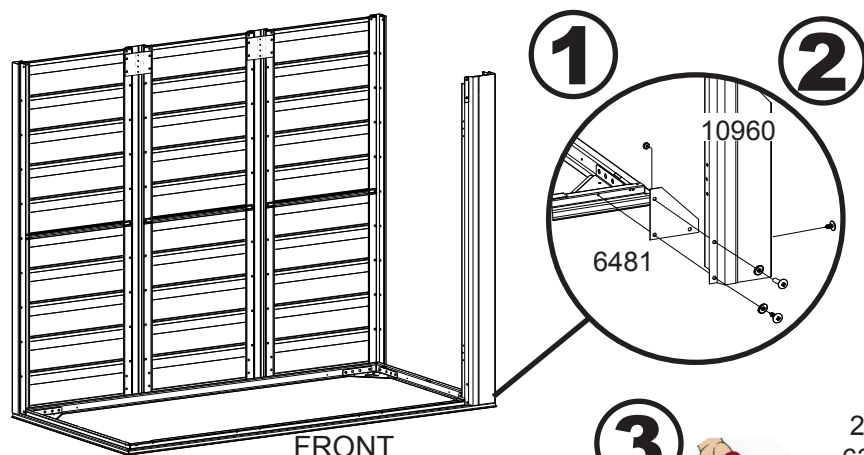
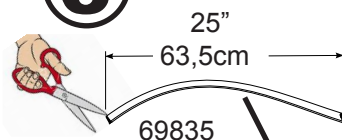
3 Slide **Edge Trim** onto **Right** and **Left Gables**.

4 Slide a **Side Siding Panel** and **Right Gable Panel** between the **Door Jamb** and **Corner Post**. Secure with four 4 screws for each.

5 Slide a **Side Siding Panel** and **Left Gable Panel** between the **Door Jamb** and **Corner Post**. Secure with four 4 screws for each.

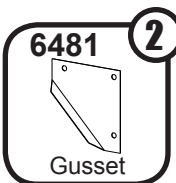
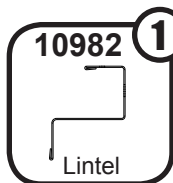
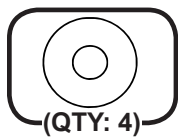
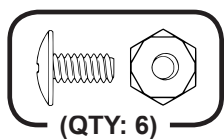


3



Step 9: Lintel

You will need for this page:

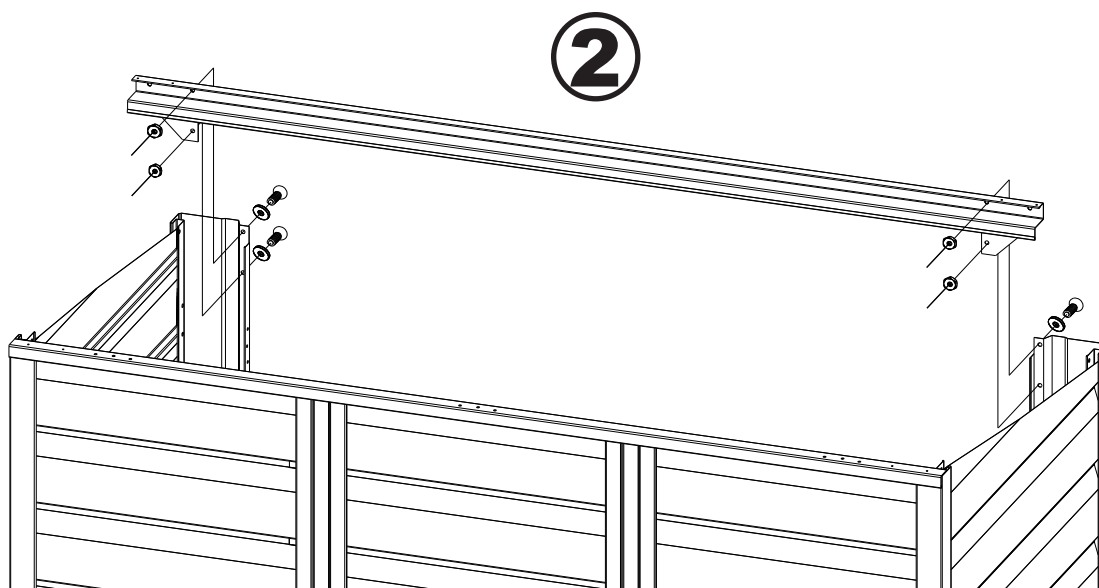
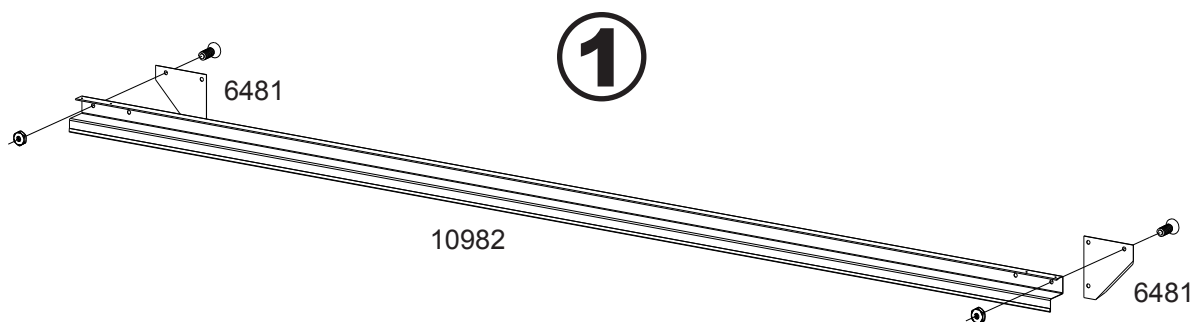


1

Secure the **Gussets** to the **Lintel** with one 1 bolt each.

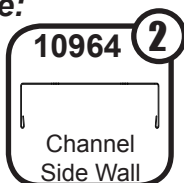
2

Secure the **Lintel** to the **Door Jambs** in the remaining two 2 holes. Use two 2 bolts for each end.



Step 10: Side Wall Channels

You will need for this page:



1

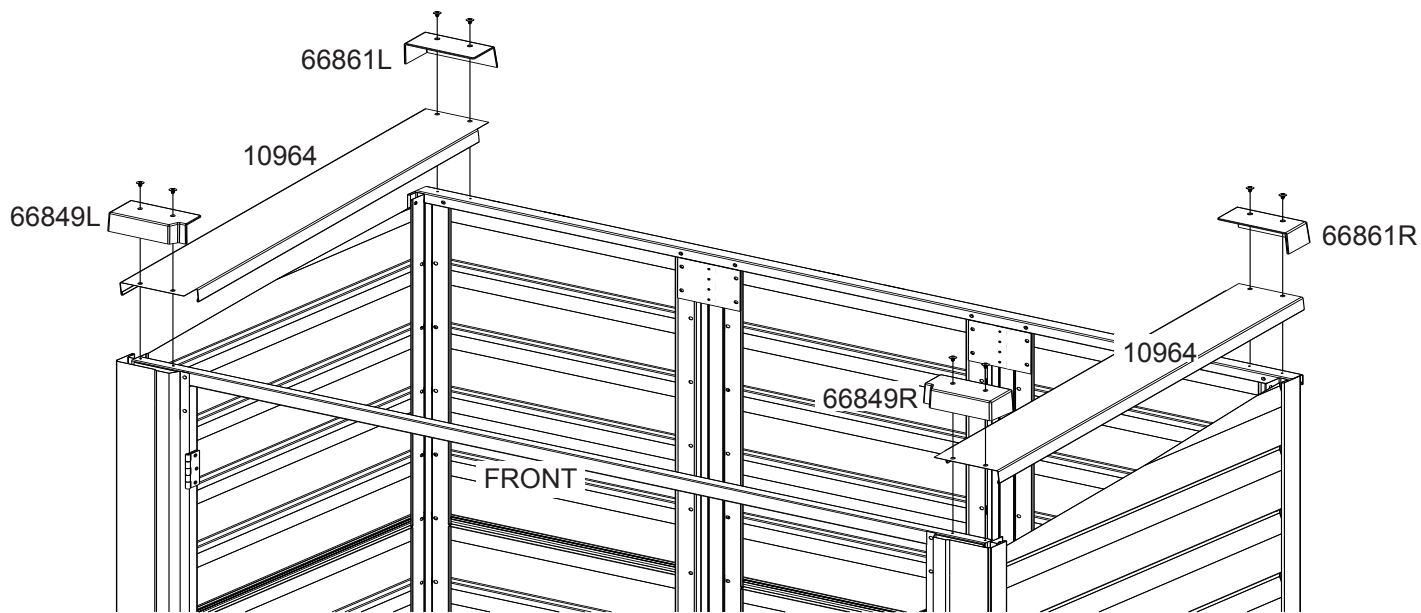
Place the **Side Wall Channels** on each side of the top of the shed.

2

Place the **Right and Left Rear Corner Caps** on top of the **Channels** on the rear of the shed. Secure with two 2 screws each.

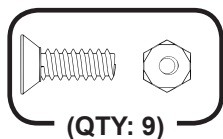
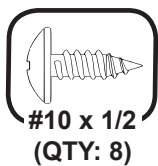
3

Place the **Right and Left Door Jamb Caps** on top of the **Channels** in the front of the Shed. Secure with two 2 screws each.



Step 11: Lid Install

You will need for this page:

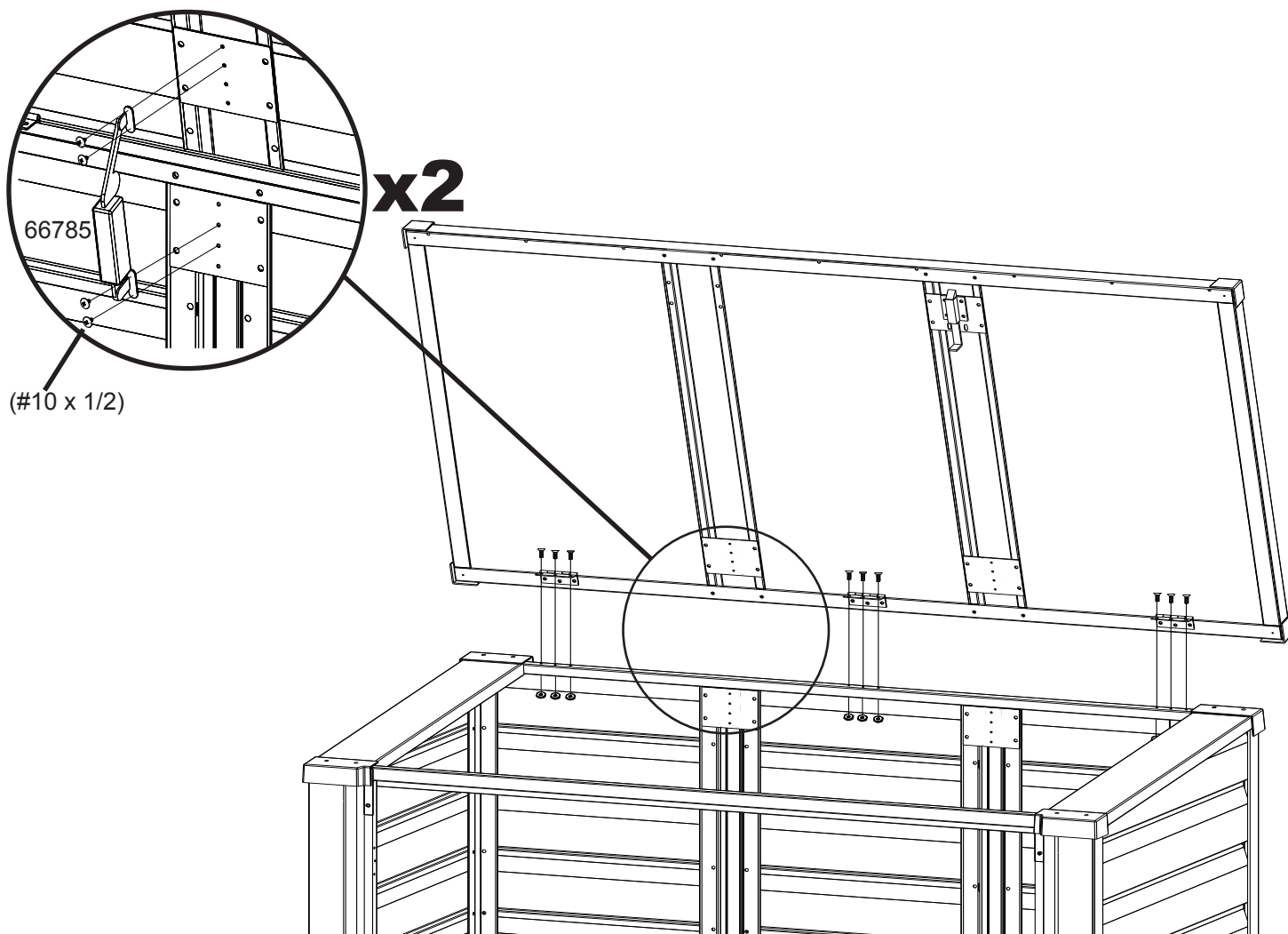


Assembly from Step 4:

- Lid Assembly

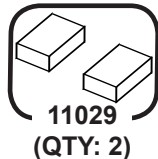
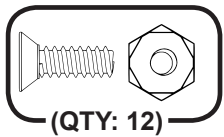
1 Line up the **Hinges** on the **Lid Assembly** with the holes on the **Rear Wall Channel**. Secure with three 3 flat head bolts (#6 x 7/16) into each **Hinge**.

2 Secure the two 2 **Lid Stays** to connect the **Plates** in the **Splice Posts** and **Lid Braces**. Secure with four 4 screws (#10 x 1/2) in each **Lid Stay**.



Step 12: Door Install

You will need for this page:

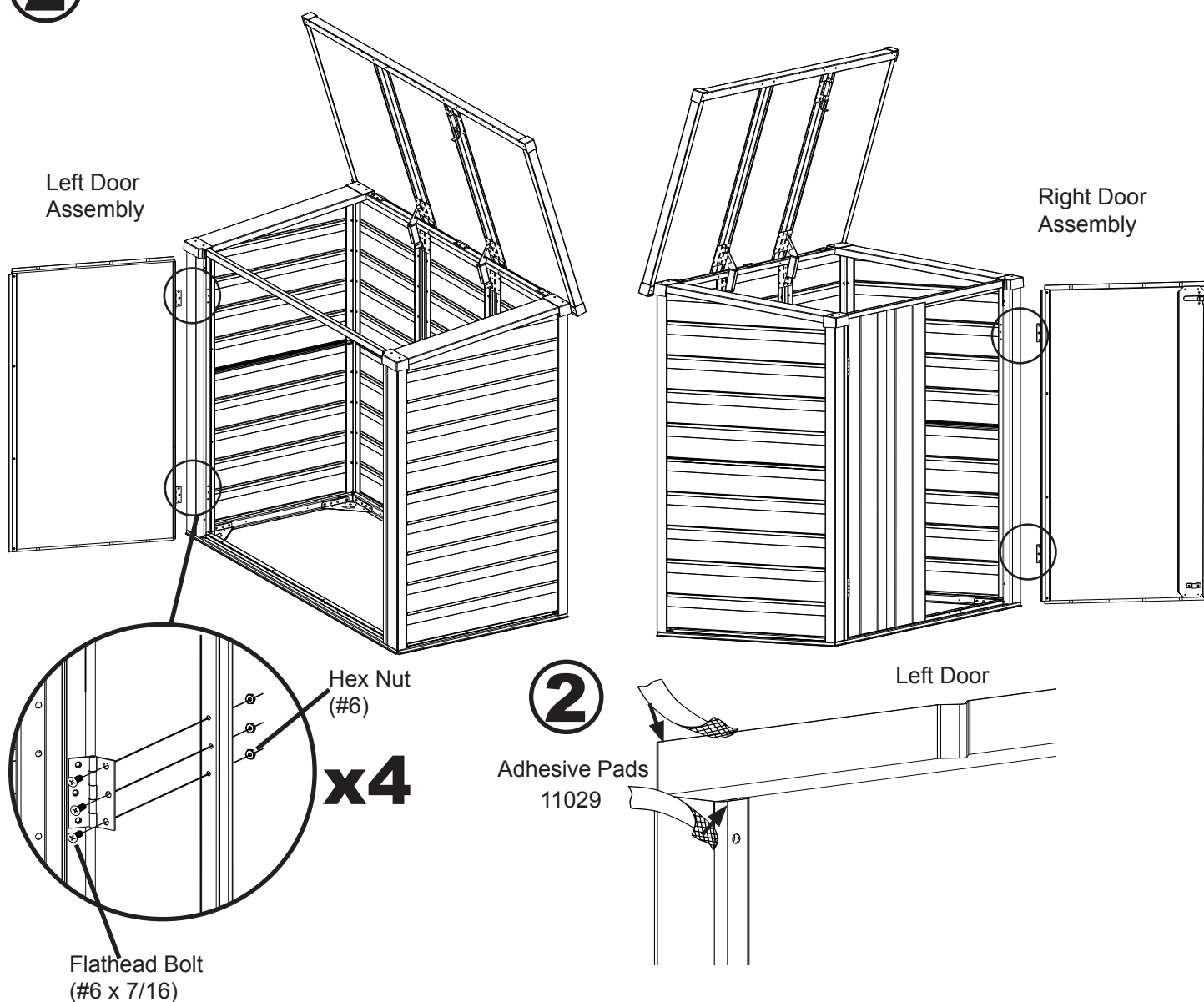


Assemblies from Step 5:

- Right and Left Door Assemblies

1 Secure the **Hinges** on the **Left Door Assembly** to the **Left Door Jamb** using three 3 flat head bolts (#6 x 7/16) for each **Hinge**. Do the same for the **Right Door Assembly**.

2 Install **Adhesive Pads** to Corner/Edges of **Left Door**.



ANCHORING OPTIONS...

IMPORTANT:

- *If you have swing doors, they must hang and swing level before anchoring building.*
- *Anchor your building at this time. See below for details on anchoring.*
- *If you have purchased a Floor Frame Kit, you should install it at this time.*
- *Please take a moment to ensure that the building is installed in accordance with these instructions and with all applicable regulations.*

Anchoring Down The Building

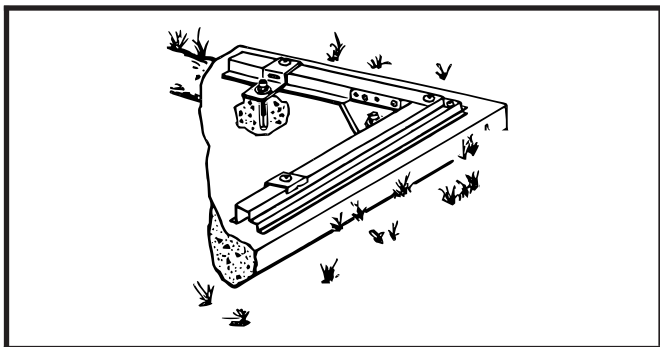
The entire floor frame **MUST** be securely anchored once the building is erected.

Below are recommended ways of anchoring.

Arrow Anchoring Kit: (Model No. AK100 or 68383)

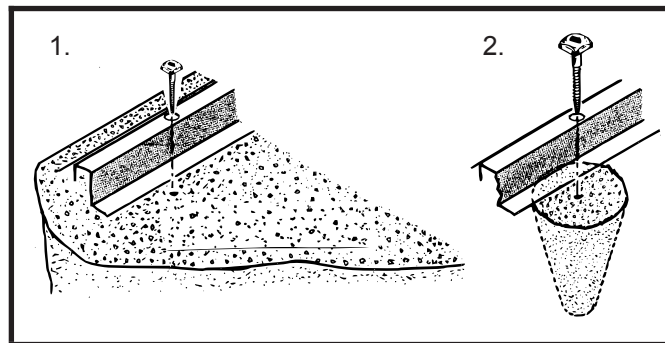
Recommended for use with the **concrete** base.

Contains: Corner gussets, perimeter clips, hardware, 1/4" masonry drill bit and installation instructions.



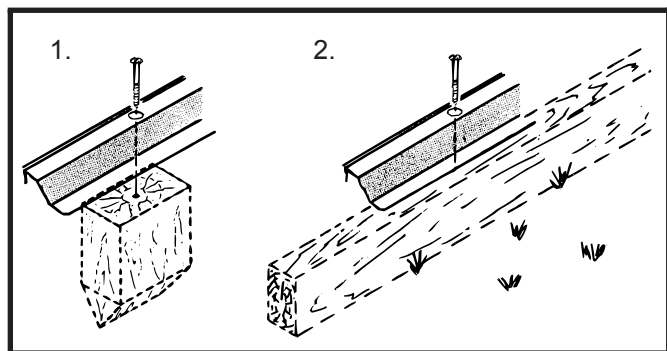
Anchoring into Concrete:

1. For poured concrete slab or footing or patio blocks: Use 1/4" x 2" (6 mm x 51 mm) Lag Screws.
2. For Anchor Post of Concrete poured after building is erected: Use 1/4" x 6" (6 mm x 152 mm) Lag Screws.



Anchoring into Wood/Post:

Use 1/4" (6 mm) Wood Screws. There are 1/4" (6 mm) dia. holes provided in the frames for proper anchoring.



An Anchor Kit may be purchased online at www.arrowsheds.com
 You can also purchase one over the phone by calling 1-800-851-1085.
 See accessories page for details.

CARE & MAINTENANCE...

Exterior Care:

For a long lasting finish, clean and wax the exterior surface. We recommend washing with a mild soap solution. DO NOT use power washing to clean your shed. Using a spray automotive type wax periodically on the exterior is highly recommended if you are in a high humidity or coastal climate region.

Combustibles and corrosives must be stored in air tight containers designed for chemical and/or combustible storage. Corrosive chemicals such as fertilizers, pesticides and herbicides should be cleaned off the interior and exterior surfaces immediately. Rust caused by chemical damage is not covered by the warranty.

DO NOT STORE POOL CHEMICALS IN YOUR SHED - THIS VOIDS YOUR WARRANTY

Rust protection precautions may help to stop rust from developing, or stop it quickly as soon as it appears.

- Avoid nicking or scraping the coating surface, inside and out.
- Keep roof, base perimeter and door tracks free of debris and leaves which may accumulate and retain moisture. These can do double damage since they give off acid as they decay.
- Touch up scrapes or nicks and any area of visible rust as soon as possible. Make sure the surface is free of moisture, oils, dirt or grime and then apply an even film of high quality touch-up paint.
- Various paint manufacturers provide products for rust treatment and coverage. If surface rust does appear on your shed we recommend treating those areas as soon as possible, following the paint supplier of your choice instructions.
- Our customer service department can provide the paint tinting formula for matching the color of your shed. We also have touch-up paint available for repairing small nicks and scratches.

Roof:

Keep the roof clear of leaves and snow. Heavy amounts of snow on the roof can damage the building making it unsafe to enter. In snow country, Roof Strengthening Kits are available for most Arrow Buildings for added protection against heavy snow accumulation.

General:

- A plastic sheet (vapor barrier) placed under the entire floor area may reduce condensation.
- Wash off inked part numbers on coated panels with soap and water.
- Silicone caulking may be used for watertight seals throughout the building.

Please note, Manufacturer cannot be held responsible for any consequences due to buildings that are not installed per these instructions, or for damage due to weather conditions or acts of God.

Keep these assembly instructions and owner's manual for future reference.