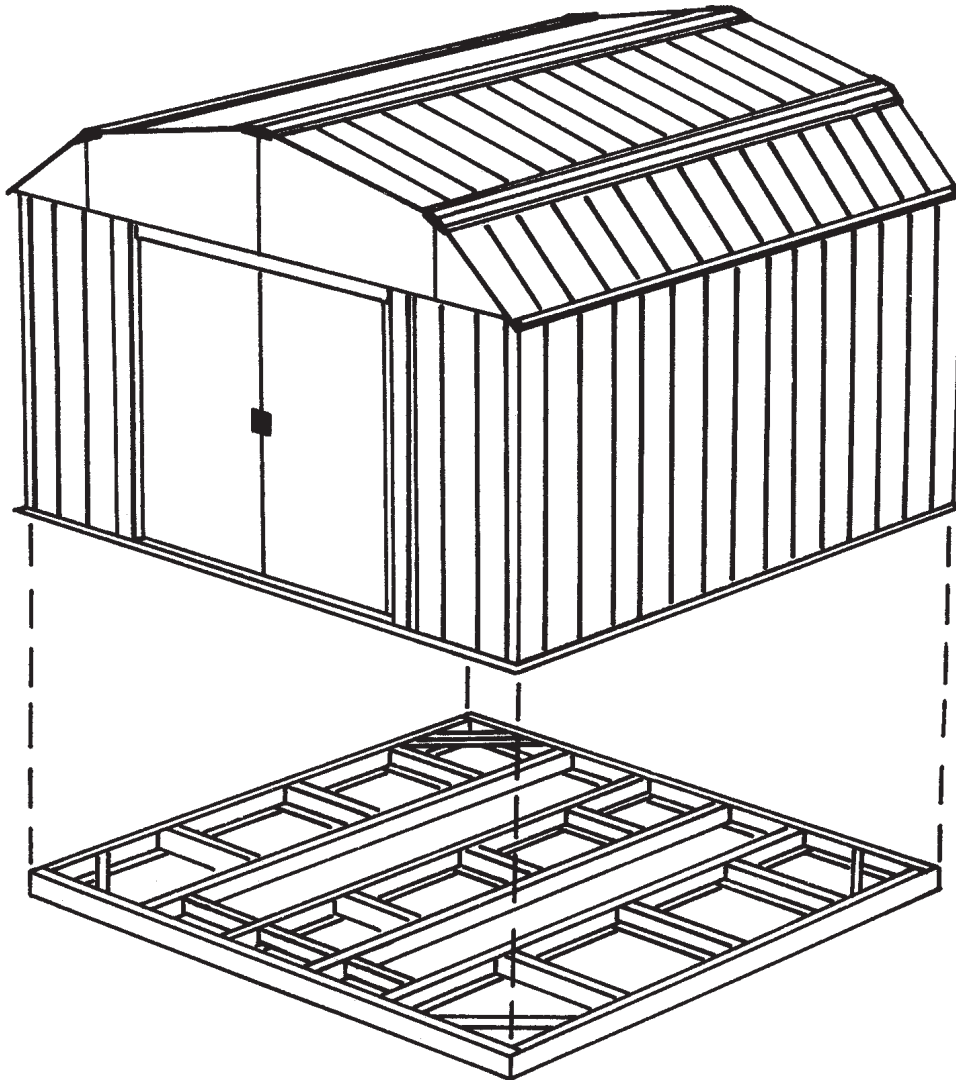


Owner's Manual & Assembly Instructions

PK01

BASE KIT

Model No. FDN106



CAUTION: SOME PARTS HAVE SHARP EDGES. CARE MUST BE TAKEN WHEN HANDLING THE VARIOUS PIECES TO AVOID A MISHAP. FOR SAFETY SAKE, PLEASE READ SAFETY INFORMATION PROVIDED IN THIS MANUAL BEFORE BEGINNING CONSTRUCTION. WEAR GLOVES WHEN HANDLING METAL PARTS.

717060311

NOTE: THIS KIT IS NOT SELF SUPPORTING. SEE IMPORTANT INSTRUCTIONS ON BACK COVER

BEFORE YOU BEGIN....

PK02

1. Before beginning construction, check local building codes regarding footings, location and other requirements. Study and understand this owner's manual.
2. Follow all directions and dimensions carefully.
3. Follow the step sequence carefully for successful results.
4. Be sure all the parts fit together properly before proceeding.
5. **IMPORTANT:** Remove Owner's Manual from main carton of your storage building and locate Interior Dimensions on the front cover.
6. **SAFETY FIRST:** Care must be taken when handling various pieces of your kit since some contain sharp edges. Please wear work gloves, eye protection and long sleeves when assembling or performing any maintenance on your kit.
7. **BASIC TOOLS:** No. 2 Phillips screwdriver, pliers, work gloves, tape measure, level and a spade or shovel.
8. **GROUND MUST BE LEVEL!**
9. **DO NOT STEP ON CHANNELS OR ANGLES UNTIL FLOORING MATERIAL IS IN PLACE!**
10. Separate contents of the carton by the part number while reviewing parts list. Check to be sure that you have all the necessary parts for your kit. If you find a part missing, include the model number of your kit and contact:

Arrow Shed, LLC

1101 North 4th Street

Customer Service Department

Breese, Illinois 62230

1-800-851-1085 or assist@arrowsheds.com

Parts List

Part Number	Part Description	Quantity in Carton
9216	Front & Rear Channel 62" 157,5 cm	4
9217	Side Channel 49 1/2" 125,7 cm	12
0572	Corner Angle	4
9214	Cross Channel 21 7/16" 54,5 cm	3
9215	Cross Channel 32" 81,3 cm	4
9715	Cross Channel 19 3/16" 48,7 cm	2



65004
#8Ax5/16" (8 mm)
Screw (60)



65923
#8-32x3/8" (10 mm)
Bolt (36)

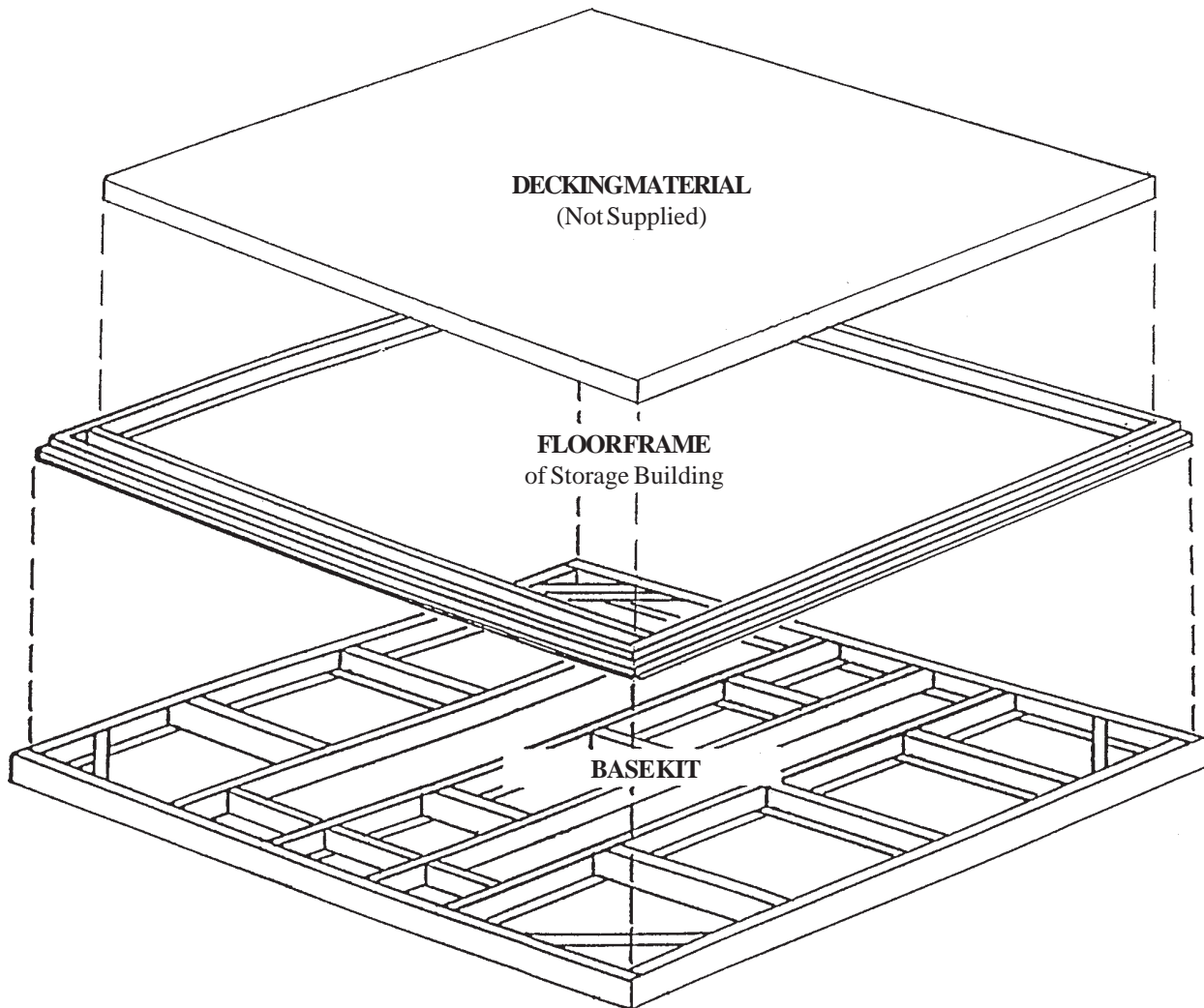


65103
#8-32 Hex Nut (36)

How The Base Kit Works

PK03

1. Assemble Floor Frame.
2. Assemble Base Kit.
3. Attach Floor Frame assembly to Base Kit.
4. Attach decking material inside Floor Frame assembly.



8 x 6

PK04

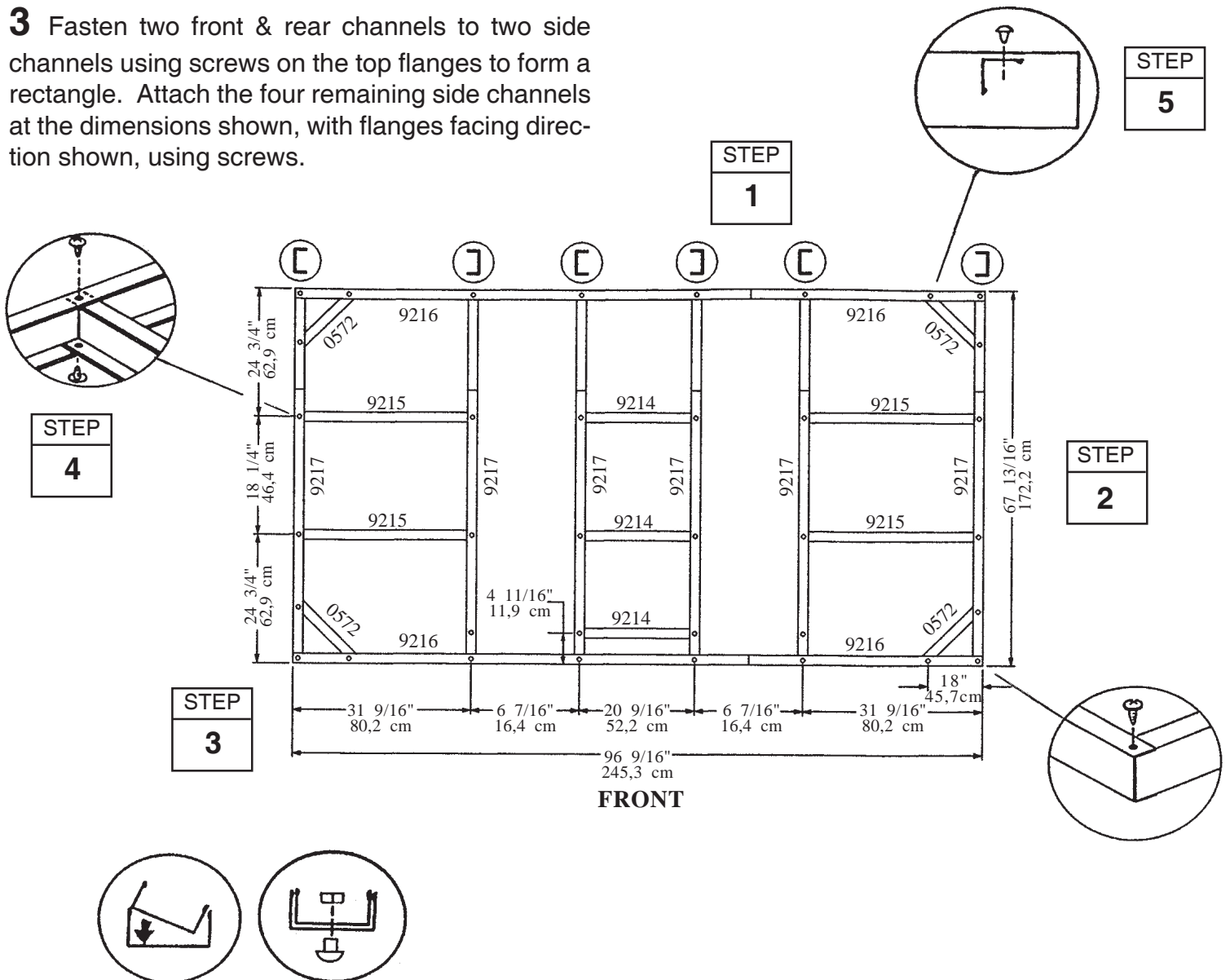
1 Snap **front & rear channels 9216** together as shown. Slide channels to match correct overall dimension shown. Bolt together where holes line up. Make two complete assemblies.

2 Snap **side channels 9217** together as shown. Slide channels to match correct overall dimension shown. Bolt together where holes line up. Make six complete assemblies.

3 Fasten two front & rear channels to two side channels using screws on the top flanges to form a rectangle. Attach the four remaining side channels at the dimensions shown, with flanges facing direction shown, using screws.

4 Attach **cross channels 9215** following dimensions shown, using screws. Fasten **cross channels 9214** to middle section in the same manner. **Carefully turn unit over and fasten opposite side connection with screws.**

5 Fasten **corner angles 0572** to corners of unit at the 18" 45,7 cm dimension using screws.



4 x 10

PK05

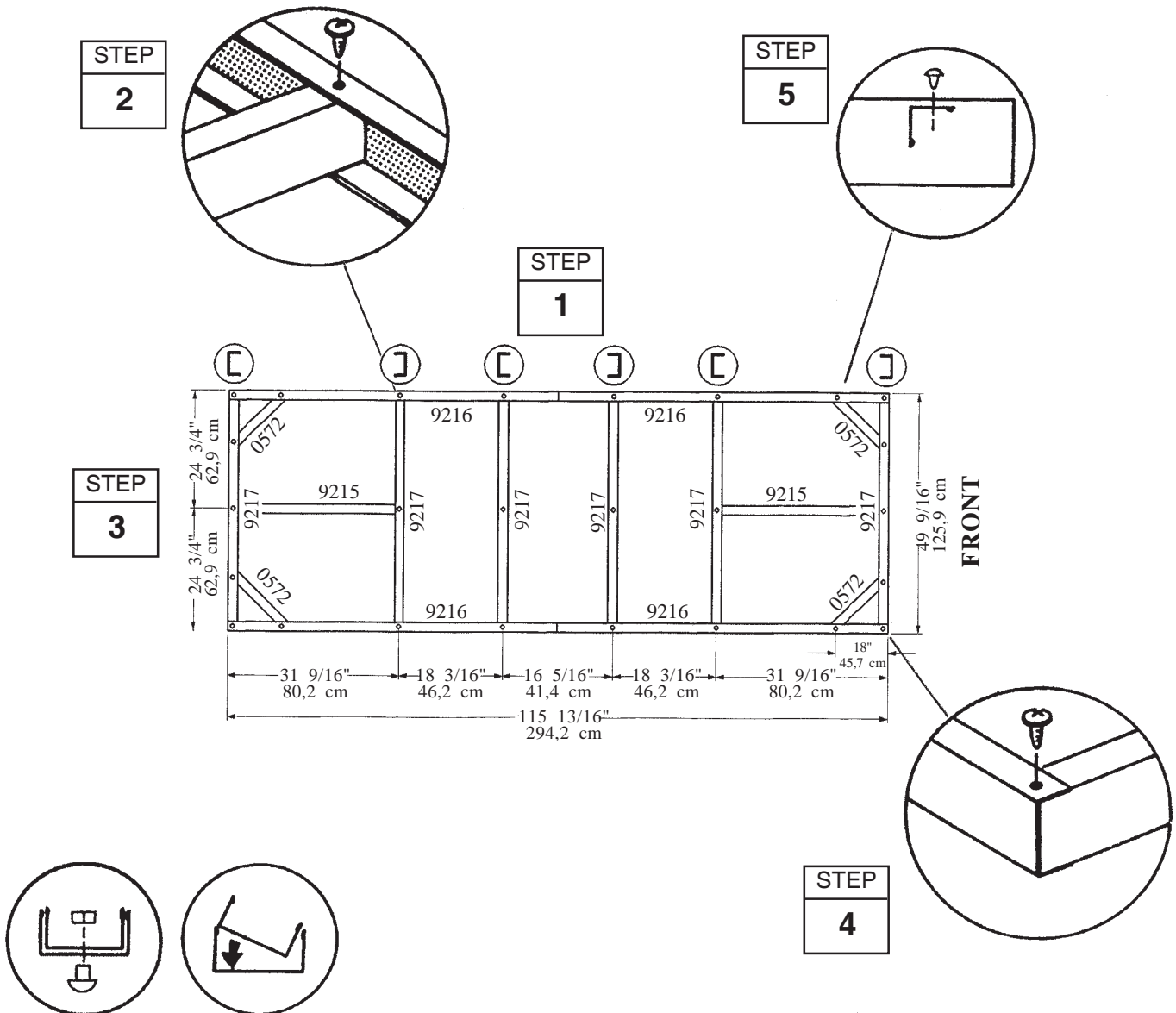
1 Snap front & rear channels 9216 together as shown. Slide channels to match correct overall dimension shown. Bolt together where holes line up. Make two complete assemblies.

2 Fasten two front & rear channels to two side channels 9217 using screws on the top flanges to form a rectangle. Attach the four remaining side channels at the dimensions shown, with flanges facing direction shown, using screws.

3 Attach cross channels 9215 following dimensions.

4 Carefully turn unit over and fasten opposite side connections with screws.

5 Fasten corner angles 0572 to corners of unit at the 18" 45,7 cm dimension using screws.



10 x 6

PK06

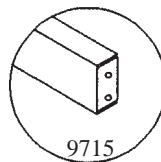
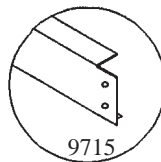
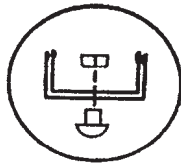
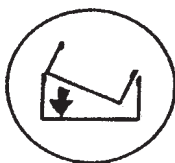
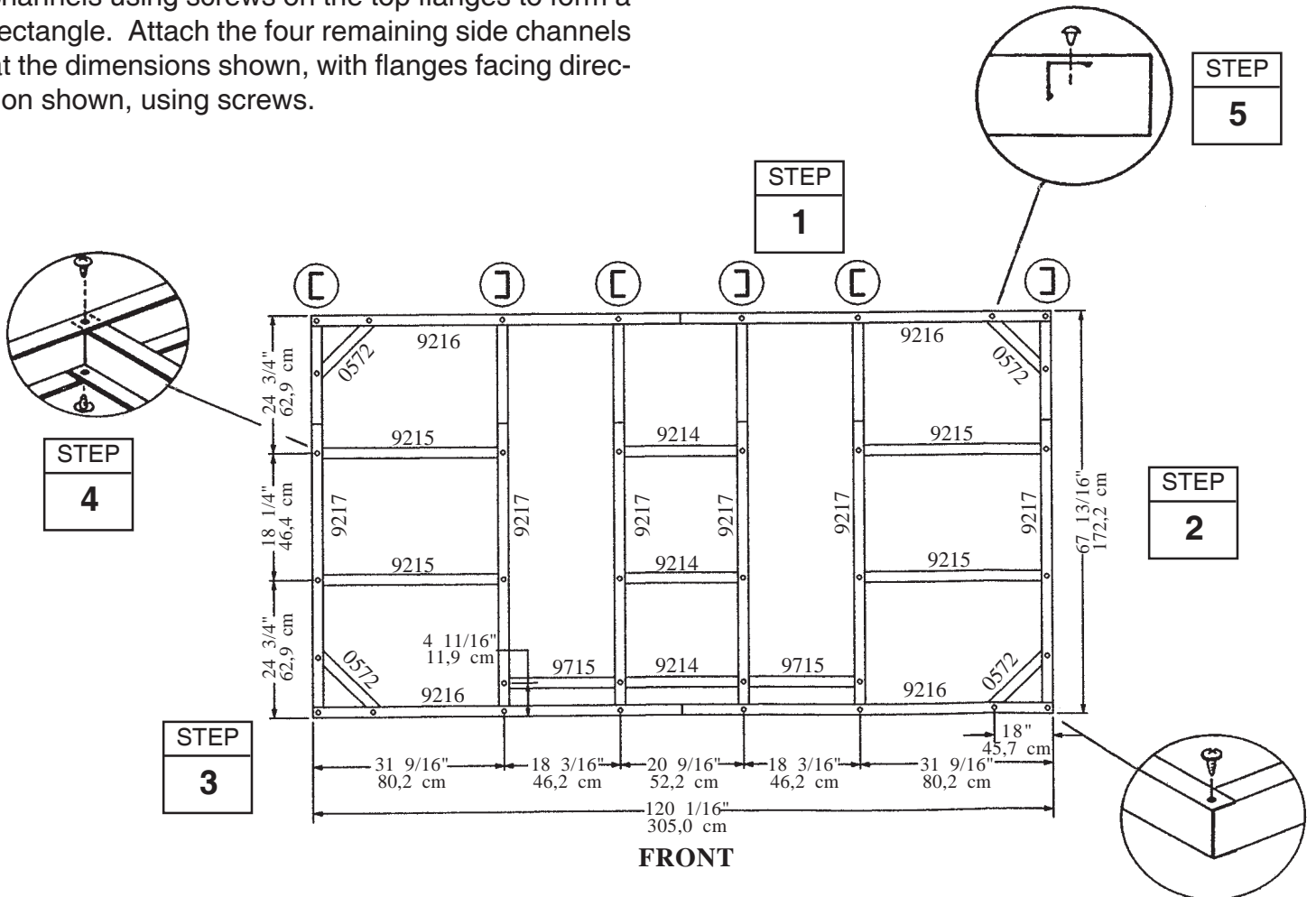
1 Snap **front & rear channels 9216** together as shown. Slide channels to match correct overall dimension shown. Bolt together where holes line up. Make two complete assemblies.

2 Snap **side channels 9217** together as shown. Slide channels to match correct overall dimension shown. Bolt together where holes line up. Make six complete assemblies.

3 Fasten two front & rear channels to two side channels using screws on the top flanges to form a rectangle. Attach the four remaining side channels at the dimensions shown, with flanges facing direction shown, using screws.

4 Attach **cross channels 9215** following dimensions shown, using screws. Fasten **cross channels 9715** to next section, bend tabs on ends of channels inward before installation with four bolts and nuts. Fasten **cross channels 9214** to middle section using screws. **Carefully turn unit over and fasten opposite side connection with screws.**

5 Fasten **corner angles 0572** to corners of unit at the 18" 45,7 cm dimension using screws.



Attach Floor Frame Assembly

PK07

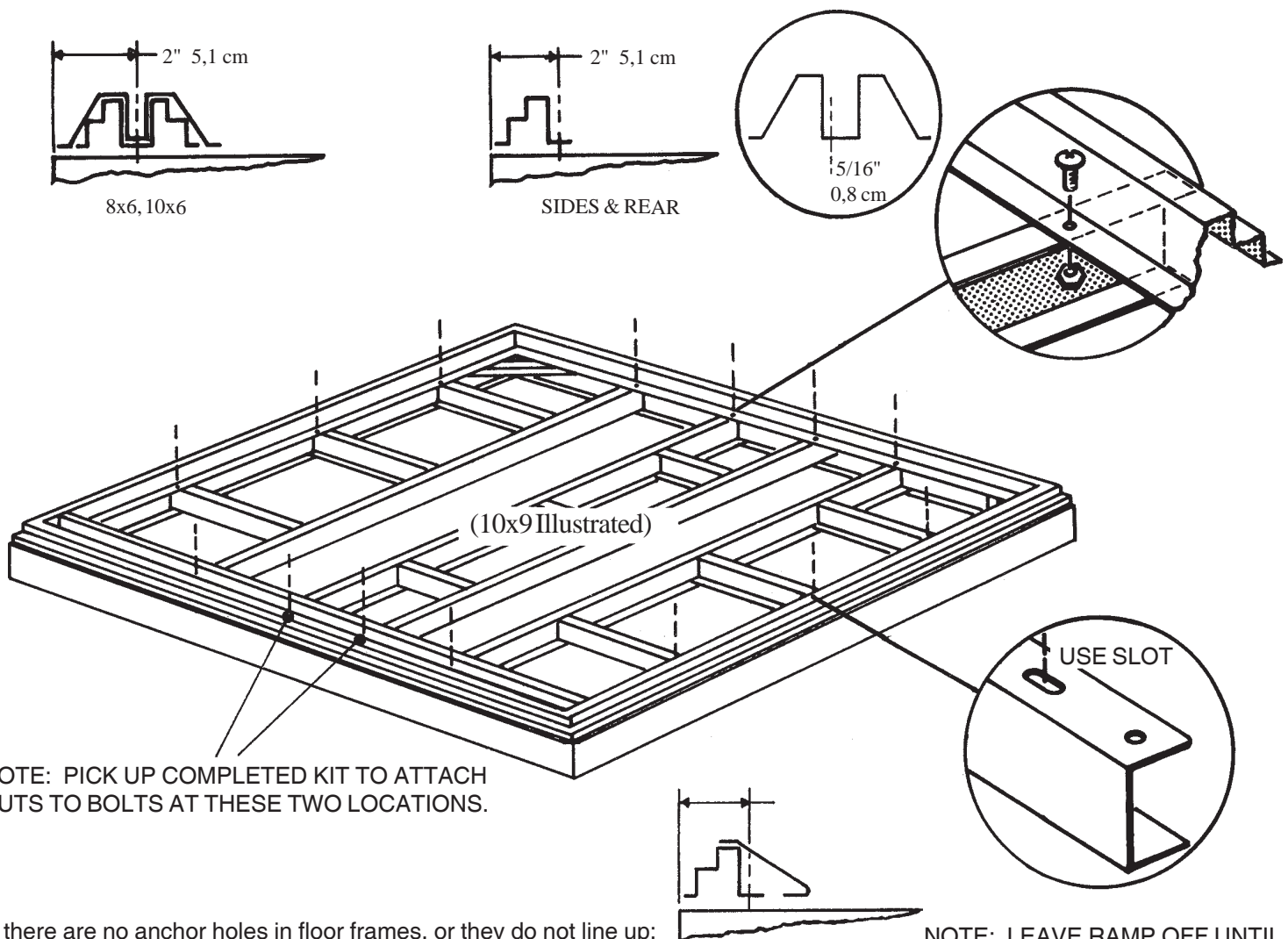
6 Do not fasten decking material at this time!

NOTE: FLOOR FRAME MUST BE LEVEL AND SQUARE BEFORE PROCEEDING!

If you are using decking material, complete the floor frame assembly for the storage building as shown in the assembly instructions found in the building carton. **Position floor frame assembly on base kit, equal distance on the sides, front and rear.** Disregard statement in building instructions and anchor front and rear floor frames at dimension shown to side channels and side floor frames to cross channels using bolts and nuts.*

If you are using the base kit as a finished form to pour concrete, see next page. Pour concrete first, then attach the floor frame assembly using concrete anchor bolts, available at your local building supply store.

RAMP MUST BE FASTENED TO FRONT FLOOR FRAMES SO THAT HOLES AT 5/16" 0,8 CM ARE TOWARD THE FRONT TO LINE UP WITH HOLES IN BASE KIT CHANNELS AT 2" 5,1 CM DIM.



NOTE: PICK UP COMPLETED KIT TO ATTACH NUTS TO BOLTS AT THESE TWO LOCATIONS.

* If there are no anchor holes in floor frames, or they do not line up: Assemble the base kit to match the floor frames, and drill 1/4" (6 mm) dia. holes at the cross members for attachment with bolts and nuts provided.

Finishing Materials

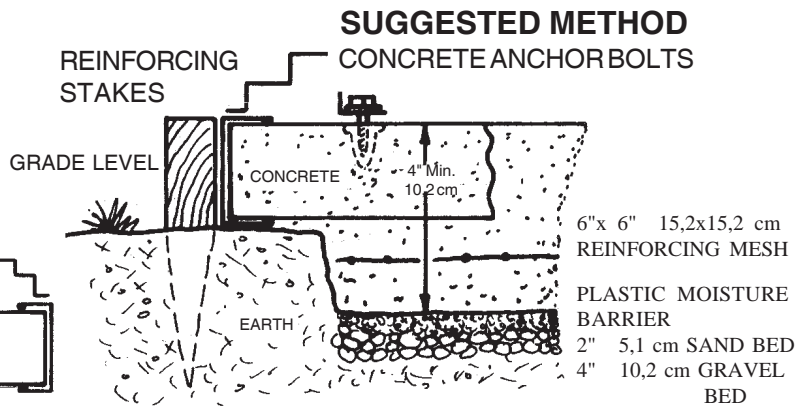
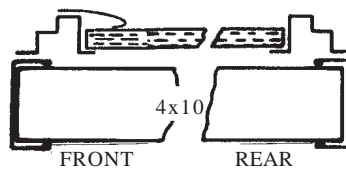
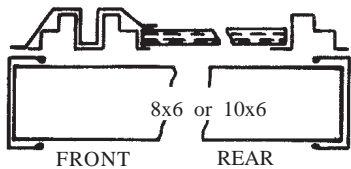
PK08

Select one of the suggested finishing materials. Be sure Base Kit lies flat on the ground. To prepare the earth bed, remove sod and other organic debris, level the high spots with a flat shovel, and tamp the bed down.

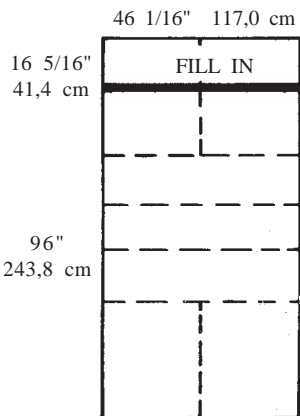
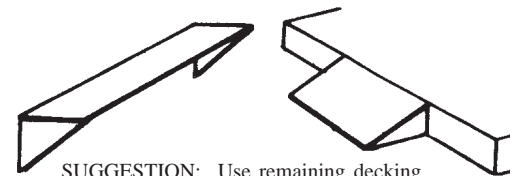
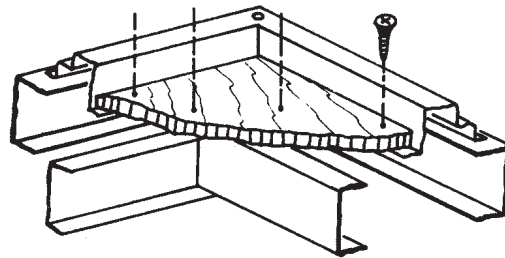
LAY EXTERIOR PLYWOOD OR ANY SUITABLE DECK MATERIAL (5/8" 15,5 MM MINIMUM THICKNESS) NOTE: Pressure Treated Lumber must not be used where it will make contact with your Arrow Products. The properties of Pressure Treated Lumber will cause accelerated corrosion. If Pressure Treated Lumber comes in contact with your Arrow Models your warranty will be voided.

IMPORTANT NOTE: If leveling blocks are required due to uneven ground conditions, the base kit must be completely supported along outside perimeter, **because the kit is not self supporting.** Plywood rests between floor frames on the inside flange.

USE AS FINISHED FORM TO POUR CONCRETE



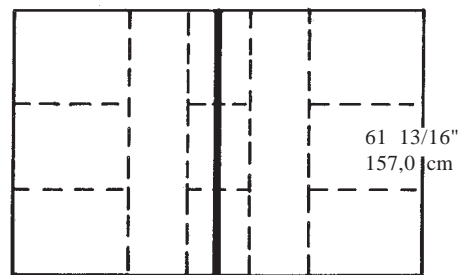
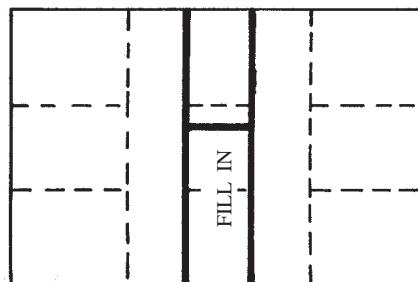
Placement & Amount of Materials



Drill and fasten wood to steel frames using dry wall screws.

20 1/2" 52,1 cm

61 13/16" 157,0 cm



1- 4x8 1220x2440 MM SHEET
DECK MATERIAL
.49 CUBIC YARD 0,375 M³ CONCRETE

2- 4x8 1220x2440 MM SHEETS
DECK MATERIAL
.70 CUBIC YARD 0,535 M³ CONCRETE

2- 4x8 1220x2440 MM SHEETS
DECK MATERIAL
.56 CUBIC YARD 0,428 M³ CONCRETE

Finish construction of your storage building following the assembly instructions.

717060311