

720001214

Owner's Manual & Assembly Guide



* See Inside for Detailed Safety Information.



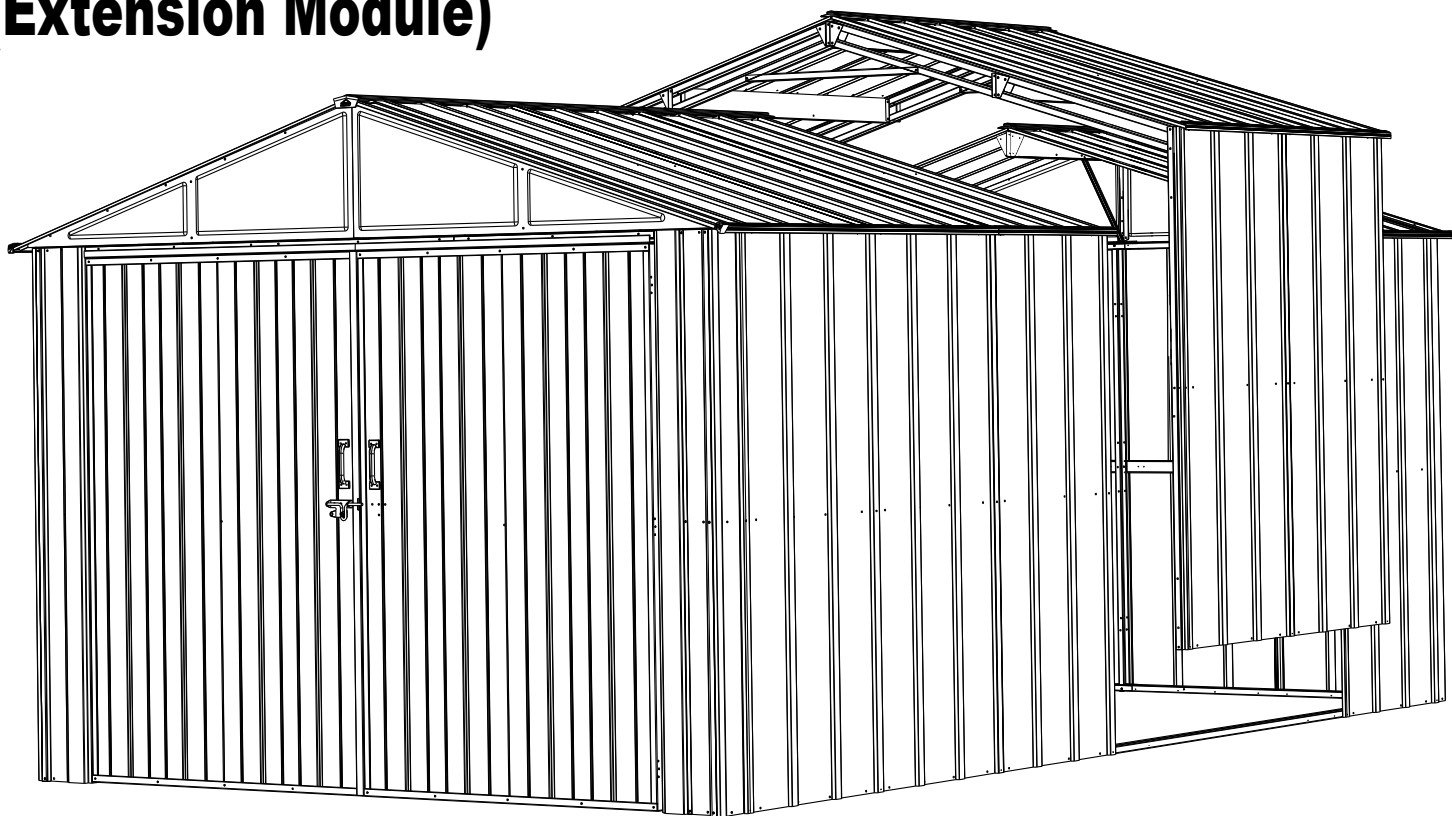
INNOVATION UNDER COVER®

www.arrowsheds.com

COMMANDER™ SERIES MOUNTAINEER™ SERIES

Model No. GA5M-A

(Extension Module)



NOTE: These instructions are to be used to add an Extension Module to an existing Arrow Commander™ or Mountaineer™ Shed. If you are assembling your shed for the first time, use the manual included in the main carton (C1GA-A).

Two to three people are required for assembly.

Follow all safety precautions in the Commander™/Mountaineer™ Series Assembly Manual.

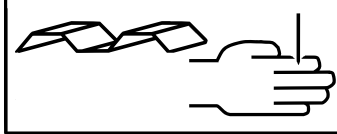
Note: It may be helpful to refer to the primary Commander™/Mountaineer™ Series Assembly Manual you used when you first assembled your building. If you have misplaced your original Commander™/Mountaineer™ Series Assembly Manual, it is available online at www.arrowsheds.com or you may request an additional copy from customer service: 1-800-851-1085.

BEFORE YOU BEGIN...

02J

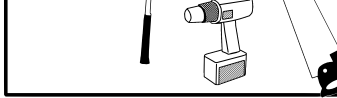
Safety precautions MUST be followed at all times throughout the construction of your building!

sharp edges



•Care must be taken when handling various pieces of your building since many contain sharp edges. Please wear work gloves, eye protection and long sleeves when assembling or performing any maintenance on your building.

always practice proper tool safety



•Practice caution with the tools being used in the assembly. Be especially familiar with the operation of all power tools.

no children or pets at worksite



•Keep children and pets away from the worksite during construction. Do not allow children to help with assembly.

beware of wind



•Do NOT attempt to assemble this kit on a windy day. The large panels can catch the wind like a "sail", causing them to be whipped around making construction difficult and unsafe.

don't focus weight on roof



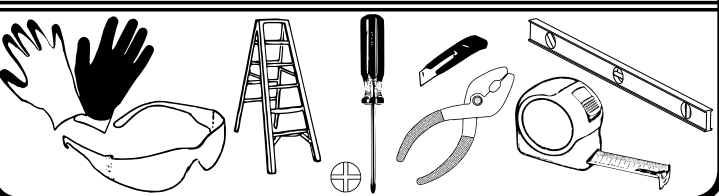
•At least two people must work together to assemble this kit. This will make assembly faster and easier.

•You must securely anchor once assembled in the same manner as your existing Commander™/ Mountaineer™ Shed.

•NEVER concentrate your weight on the roof of the building. When using a step ladder make sure that it is fully open and on even ground before climbing on it.

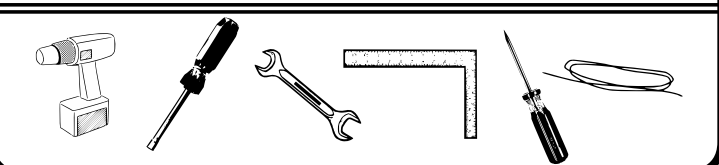
Below is a list of things you will need for installation.

WHAT YOU NEED



- Work Gloves
- Safety Glasses
- Step Ladder
- No. 2 Phillips Screwdriver (Magnetic Tip Preferred)
- Utility Knife or Scissors
- Pliers
- Carpenter's Level
- Tape Measure

RECOMMENDED TIME SAVERS

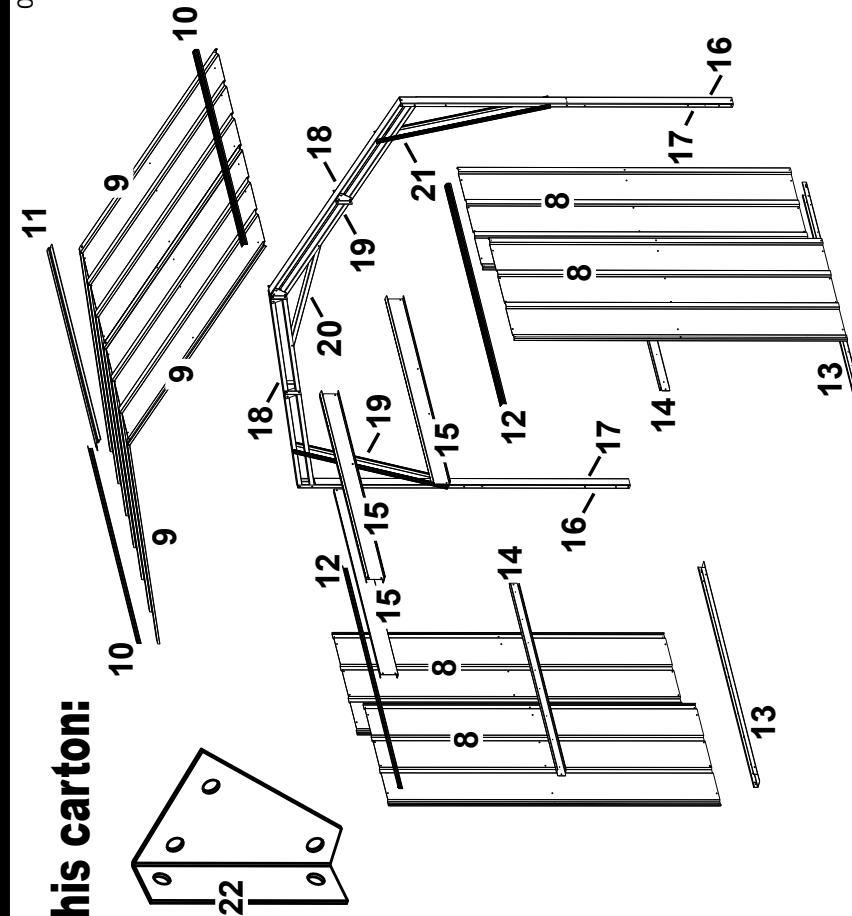


- Power Drill (Cordless, Variable Speed)
- Nut Driver or Wrench
- Square
- String (for squaring the frame)
- Awl (to align holes)

Check that the following items are included in this carton:

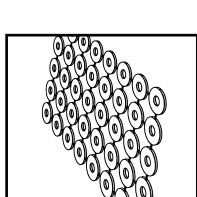
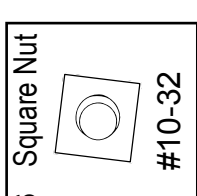
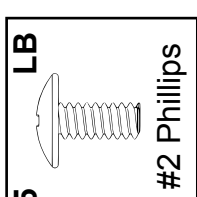
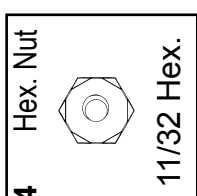
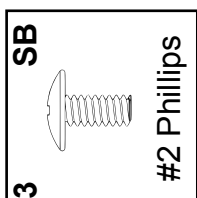
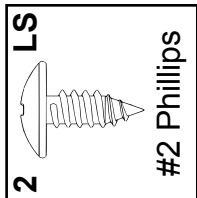
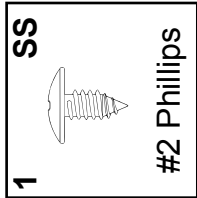
#	Part No.	Part Description	Qty.	✓
1	65004	SMALL SCREW (#8AB X 5/16) (8 mm)	174	
2	66611	LARGE SCREW (#10AB X 1/2) (13 mm)	82	
3	65923	BOLT (#8-32 X 3/8) (10 mm)	56	
4	65103	HEX NUT (#8-32)	56	
5	65106	SQUARE NUT (#10-32)	8	
6	65943	LARGE BOLT (#10-32 X 7/16) (11 mm)	8	
7	66646	WASHER SHEET	6	
8	7822	WALL PANEL	4	
9	7743	ROOF PANEL	4	
10	6015	MID ROOF TRIM	2	
11	10680	MID RIDGE CAP	1	
12	10625	SIDE WALL ANGLE	2	
13	10632	SIDE FRAME	2	
14	10887	MID SIDE WALL CHANNEL	4	
15	10650	MID ROOF BEAM	2	
16	10881	TRUSS POST	2	
17	10882	TRUSS POST INSERT	2	
18	10883	UPPER CHORD TRUSS	2	
19	10884	LOWER CHORD TRUSS	2	
20	10885	TRUSS SPLICE	1	
21	10646	TRUSS KNEE BRACE	4	
22	7003-7004	SHEAR PLATE (LEFT / RIGHT)	8	

03AQ



Reading and following all steps carefully will help make assembly quicker and easier. Before you begin assembly, be sure to confirm that all the parts for your building are present using the checklist on this page. If parts are missing or damaged, include the model number of your building and contact customer service.

Customer Service:
1-800-851-1085 or
assist@arrowsheds.com



1 #2 Phillips

2 #2 Phillips

3 #2 Phillips

4 Hex. Nut
11/32 Hex.

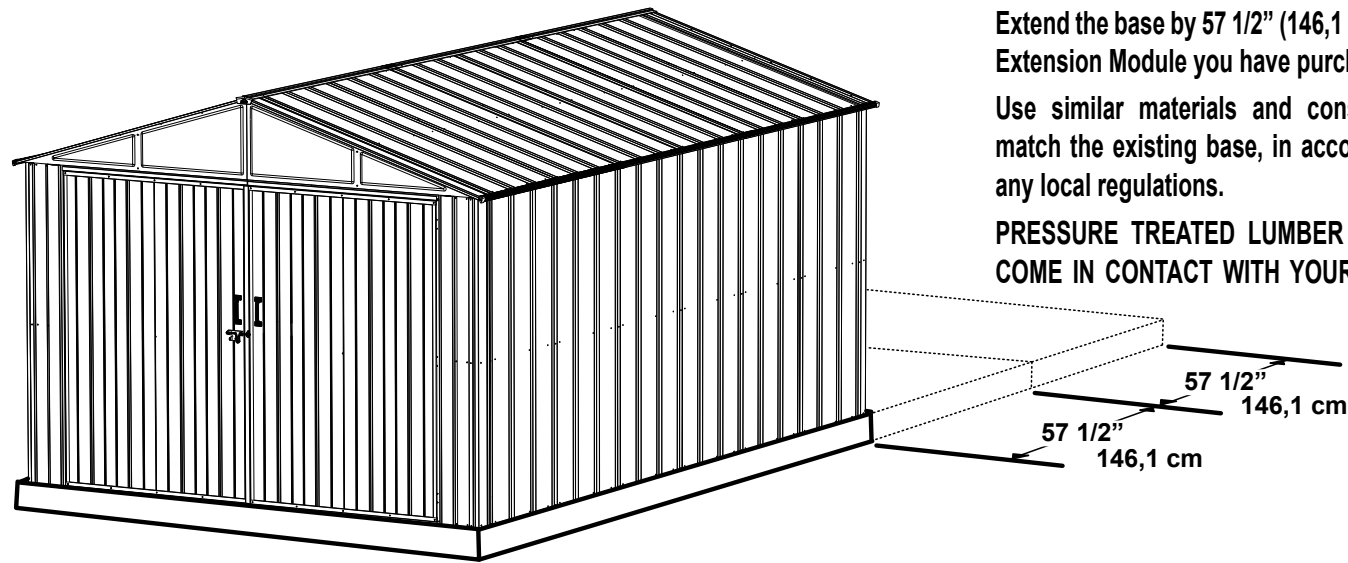
5 #2 Phillips

6 Square Nut
#10-32

7

Step 1 - Extend the existing base to accommodate the new length of your building.

04AQ



Extend the base by 57 1/2" (146,1 cm) for each Extension Module you have purchased.

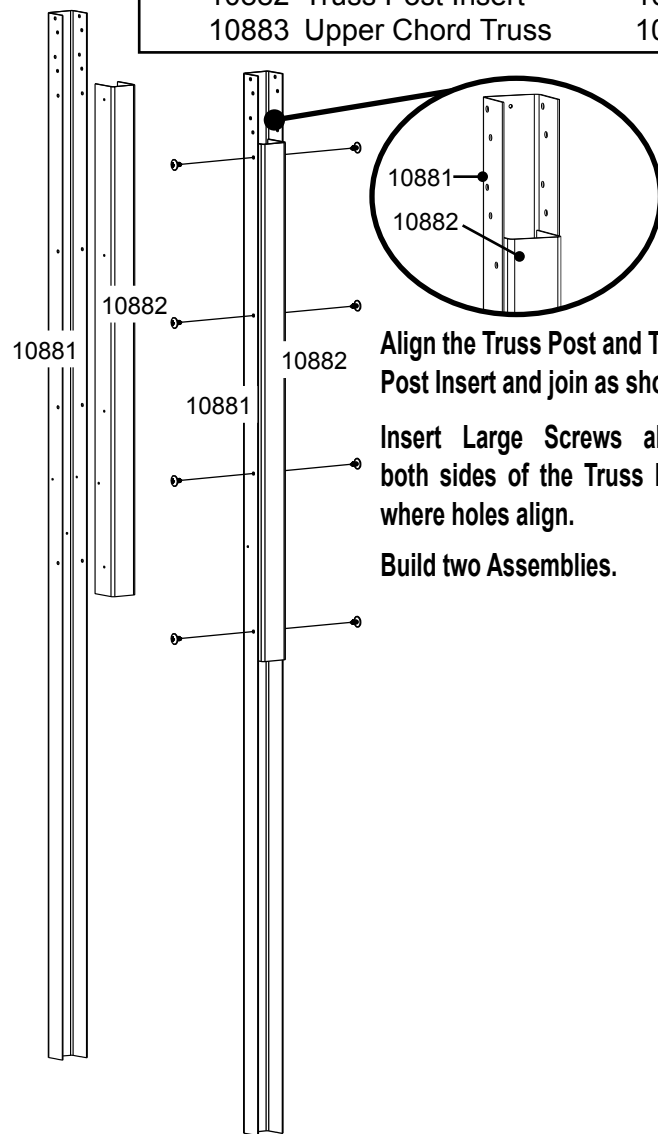
Use similar materials and construction to match the existing base, in accordance with any local regulations.

PRESSURE TREATED LUMBER MUST NOT COME IN CONTACT WITH YOUR BUILDING.

Step 2 - Assemble the Trusses (assemble one Truss for each Extension Module purchased).

You will need the following parts for this step:

10881 Truss Post	10884 Lower Chord Truss	7003 Shear Plate LT
10882 Truss Post Insert	10885 Truss Splice	7004 Shear Plate RT
10883 Upper Chord Truss	10646 Truss Knee Brace	



Align the Truss Post and Truss Post Insert and join as shown.

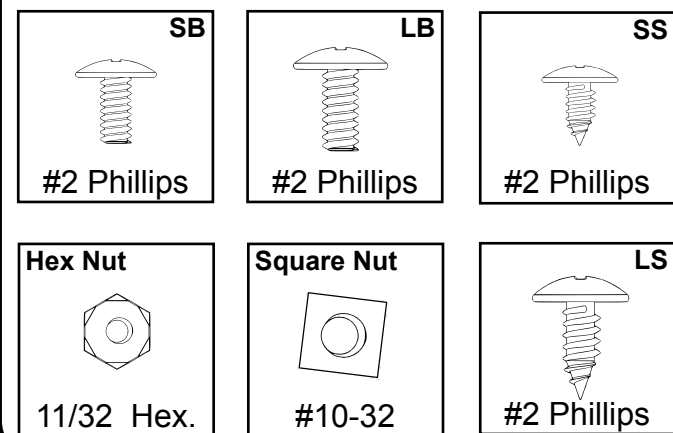
Insert Large Screws along both sides of the Truss Post where holes align.

Build two Assemblies.

ASSEMBLY NOTE: Each Extension Module contains one additional Truss Section. The Truss Section contained in this Extension Module is identical to the Truss Sections already installed in your building. If in doubt about a step or procedure, it may be helpful to see how the existing Truss Sections are installed in your building.

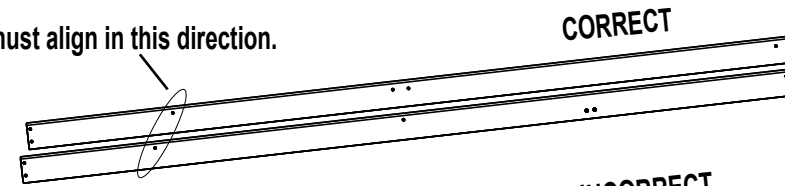
Do not reuse fasteners. Use new fasteners included in this Module when reinstalling parts.

The following fasteners are used throughout assembly. Be sure to use the proper fastener where indicated.

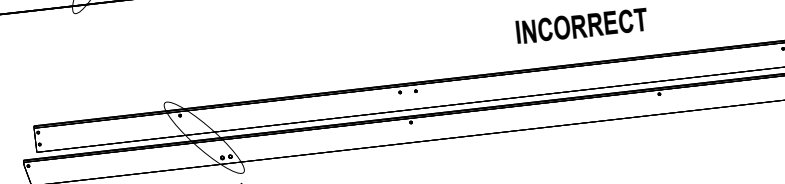


05AQ

Holes must align in this direction.



CORRECT



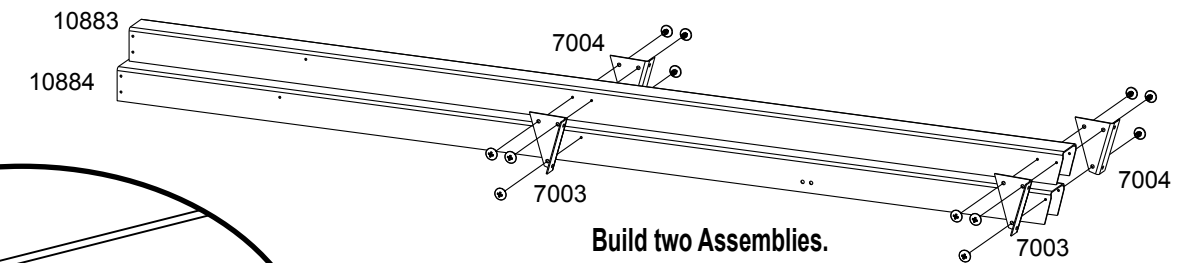
INCORRECT

Not this direction

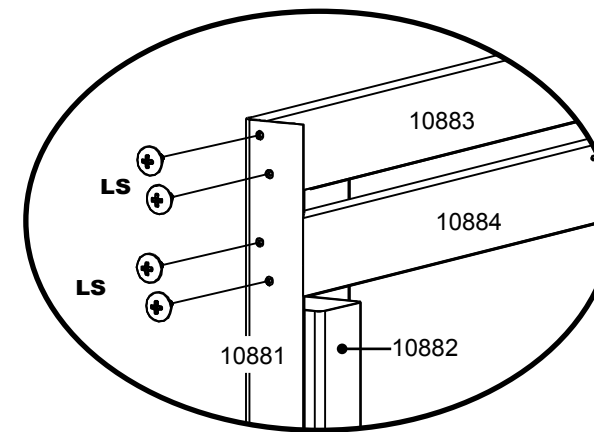
With the Upper and Lower Chord Trusses positioned as shown below, attach Shear Plates where indicated below.

Attach Shear Plates using Large Screws to Upper Chord first, then to the Lower Chord.

Build two Assemblies.



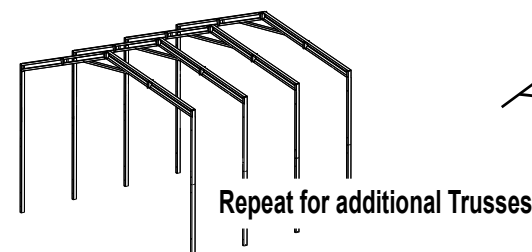
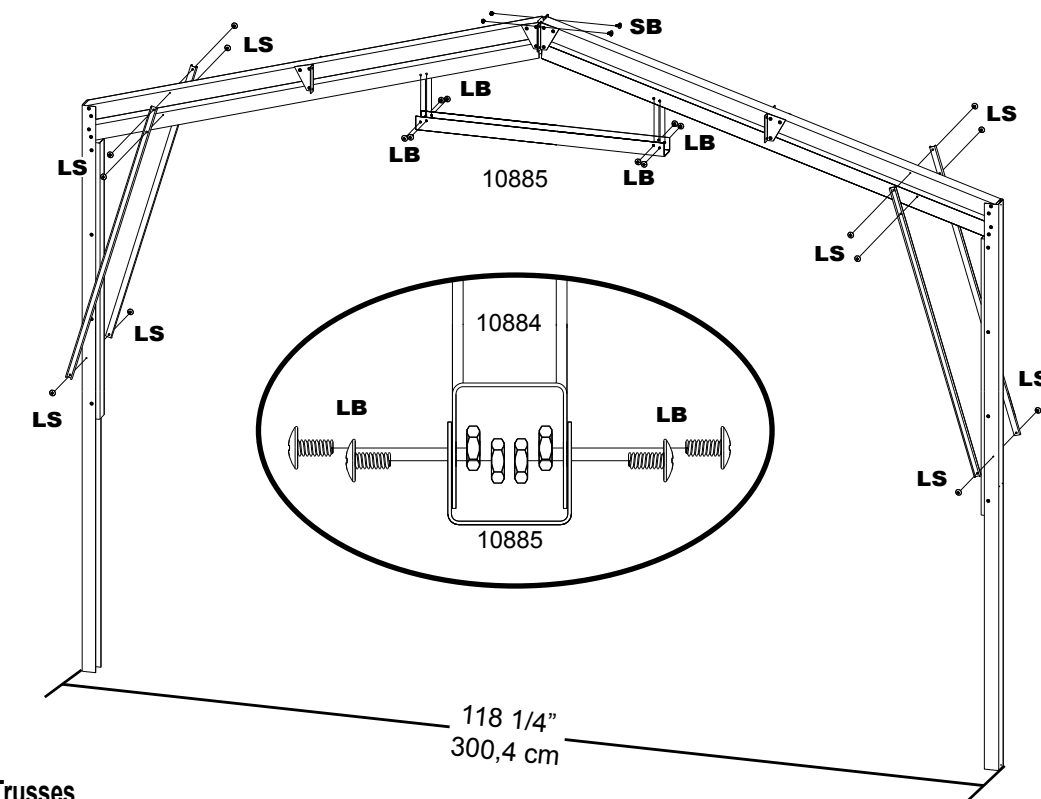
Build two Assemblies.



Next, insert the Upper/Lower Chord Truss Assembly into the Truss Post Assembly as shown. Secure with Large Screws. Do not tighten at this time.

Attach Truss Splice to Truss using Large Bolts and Nuts as shown below, but do not tighten at this time. Temporarily secure the peak of the Truss using two Bolts and Nuts as shown.

Attach Knee Braces to Truss using Large Screws as shown. Do not tighten at this time. With the Truss assembled, check that the width of the Truss is 118 1/4" (300,4 cm) across the top and bottom of the Truss. If so, tighten all fasteners. Repeat steps to build additional Trusses.



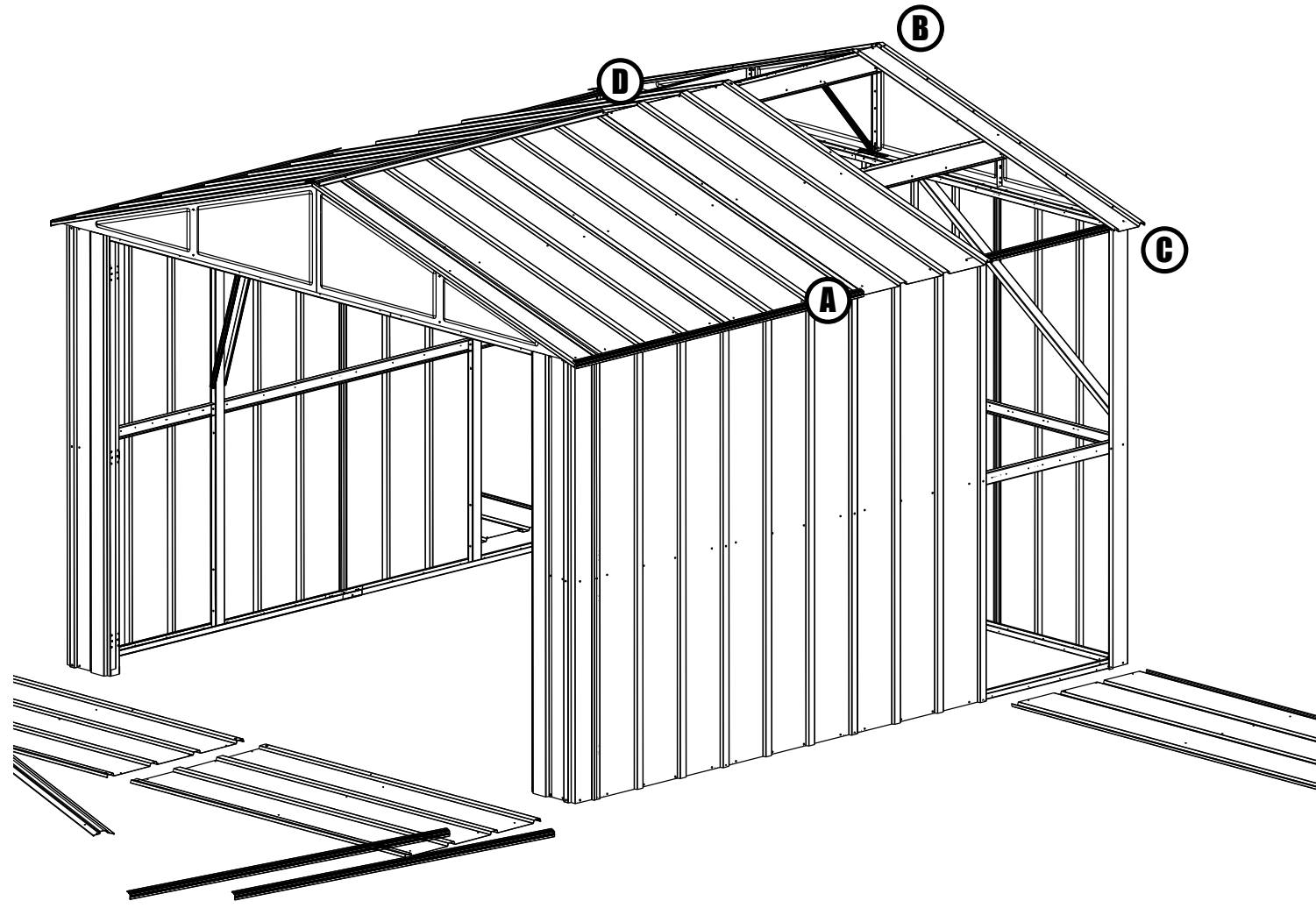
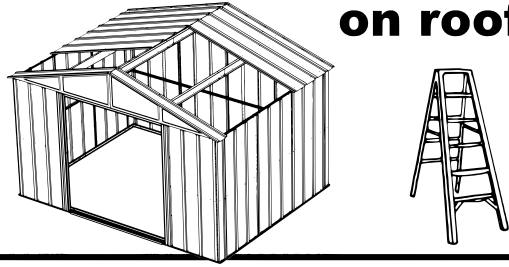
Repeat for additional Trusses

118 1/4"
300,4 cm

Step 3 - Partially disassemble the rear of the building.

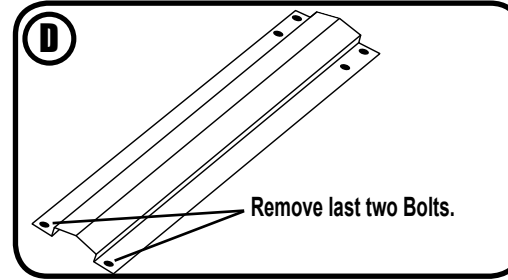
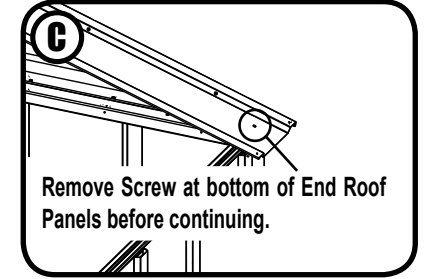
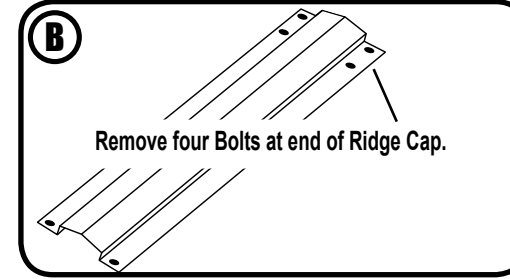
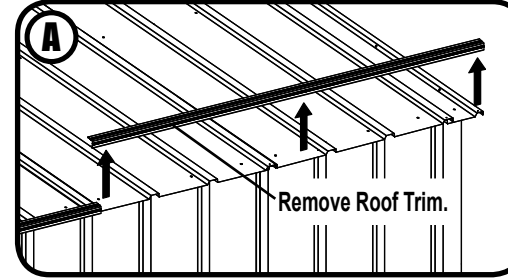
06J

**don't focus weight
on roof**



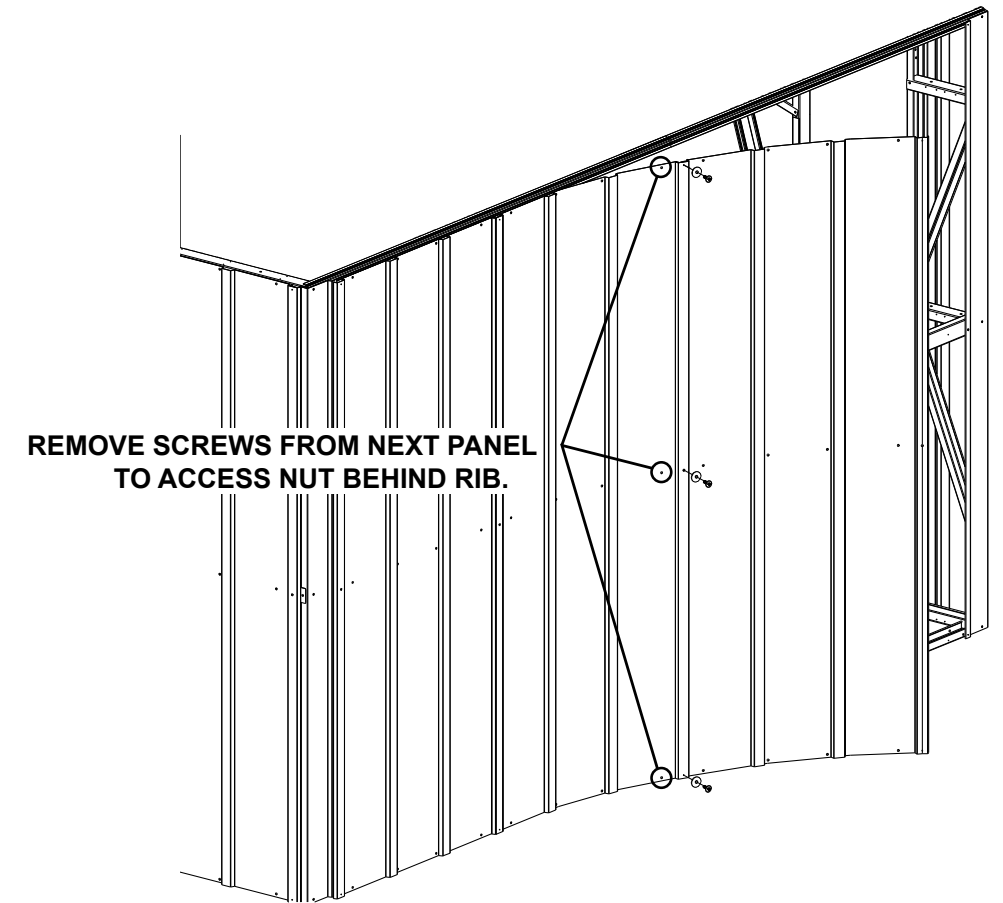
- Partially disassemble the rear of the building:
- A)** Remove the rear Roof Trim from both sides of building.
 - B)** Remove four Bolts from rear Ridge Cap.
 - C)** Remove the last Wall Panel and last full-size Roof Panel at the rear of the building.
 - D)** Remove the rear Ridge Cap.

07J



Place these parts in a safe place until they are needed later.
You may also need to remove some Screws or Bolts in adjacent Panels in order to remove the Panels shown.

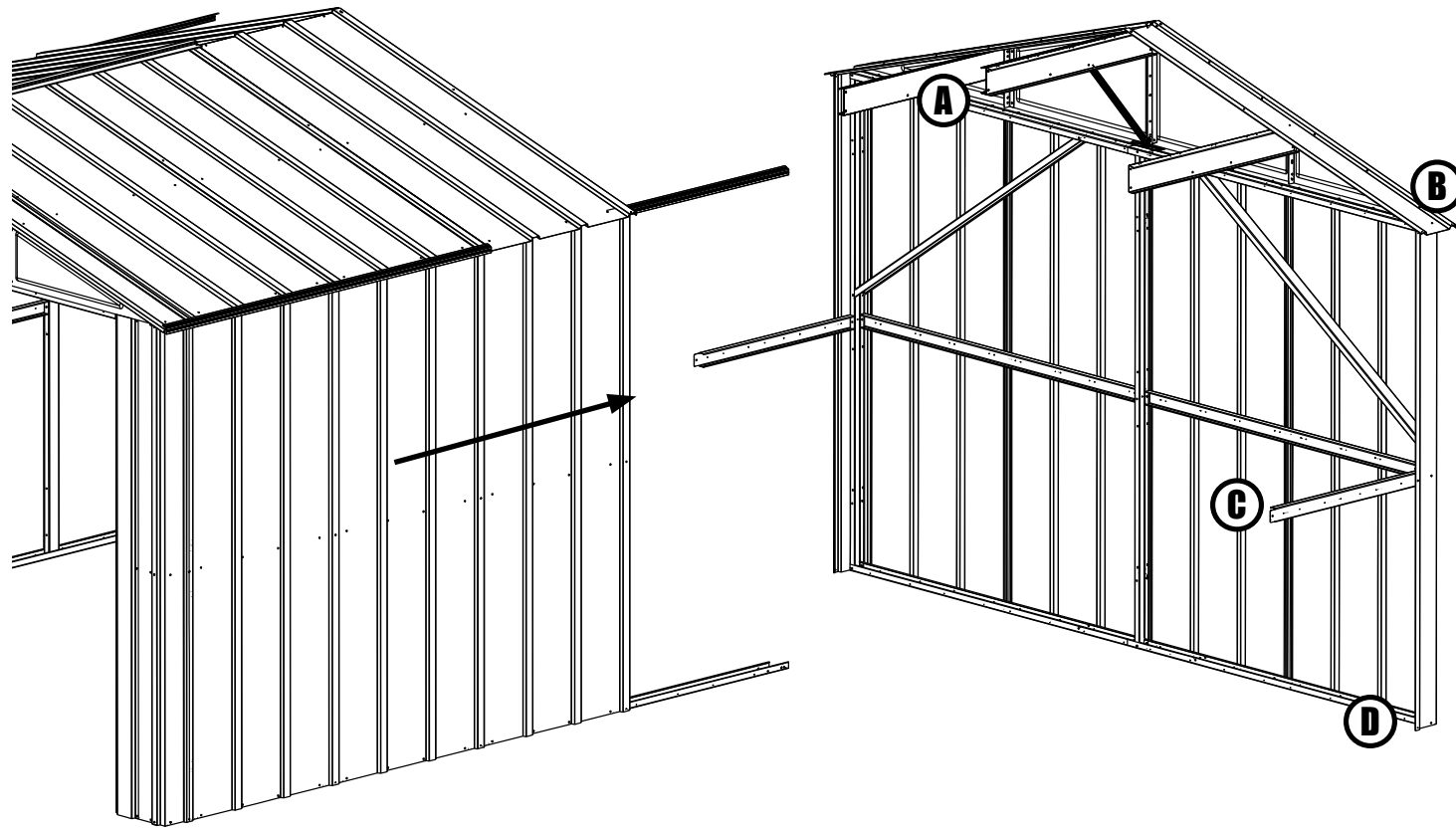
IMPORTANT: When removing the Wall Panels over a Truss, you will need to 'roll' the Panels as shown to be able to remove the Bolt attaching the Panels at the overlap. You will need to remove some Screws from the adjacent Panel to be able to roll the Panel back.



Step 4 - Remove the Rear Wall.

08J

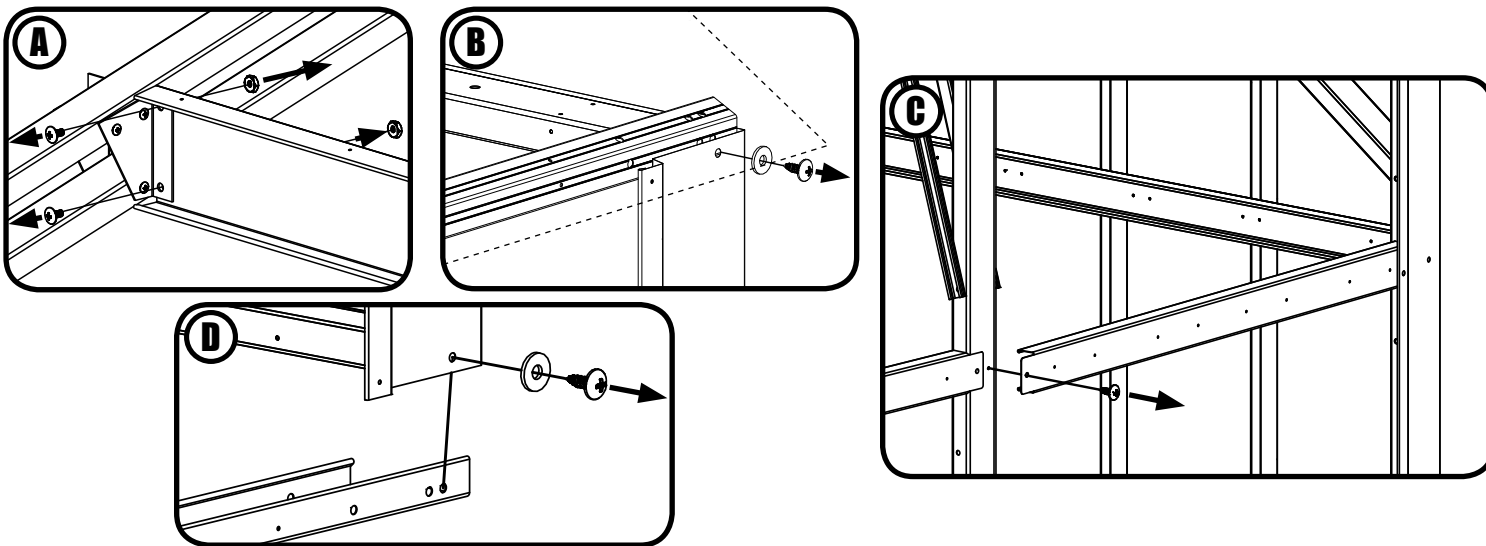
IMPORTANT: TWO PEOPLE SHOULD BE SUPPORTING THE REAR WALL AS IT IS UNFASTENED !



Next, the Rear Wall will be removed as a unit as shown using the following procedure:

- A) Unfasten the rear Roof Beams from the main building.
- B) Unfasten the Side Wall Angle where it connects to the Rear Wall.
- C) Unfasten the rear Wall Channels from the last Truss.
- D) Unfasten the Rear Wall from the Floor Frame.

Carefully remove the Rear Wall and set in a safe place until it is needed later.



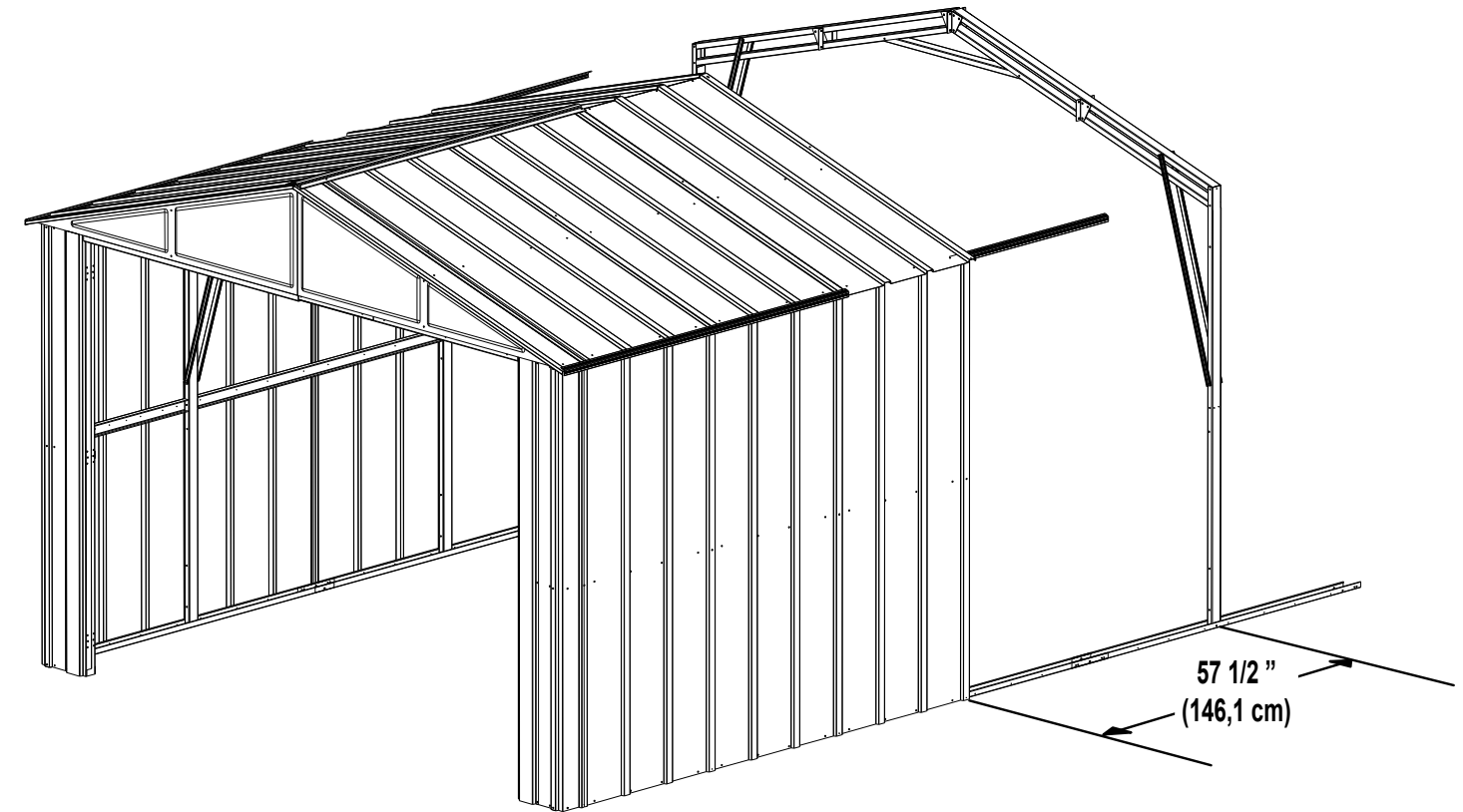
Step 5 - Install all new Truss Sections.

09AQ

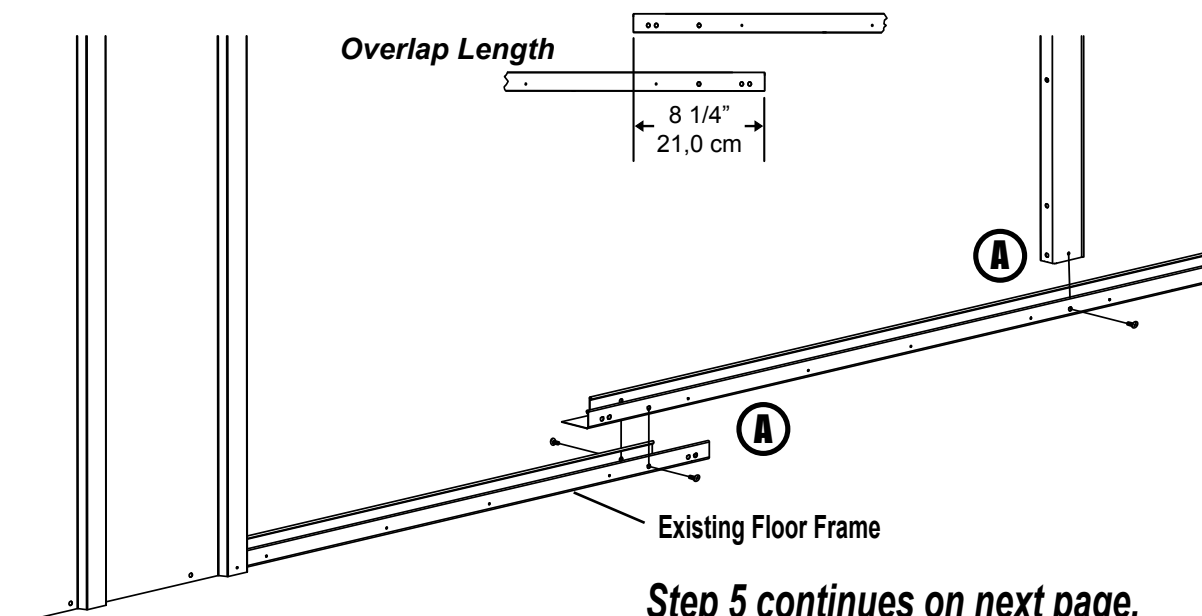
You will need the following parts for this step:

- | | |
|-------------------------|----------------------|
| 10625 Side Wall Angle | 10650 Roof Beam |
| 10632 Side Frame | All Truss Assemblies |
| 10887 Side Wall Channel | |

NOTE Check that the width of the Truss is 118 1/4" (300,4 cm) across the top and bottom of the Truss.



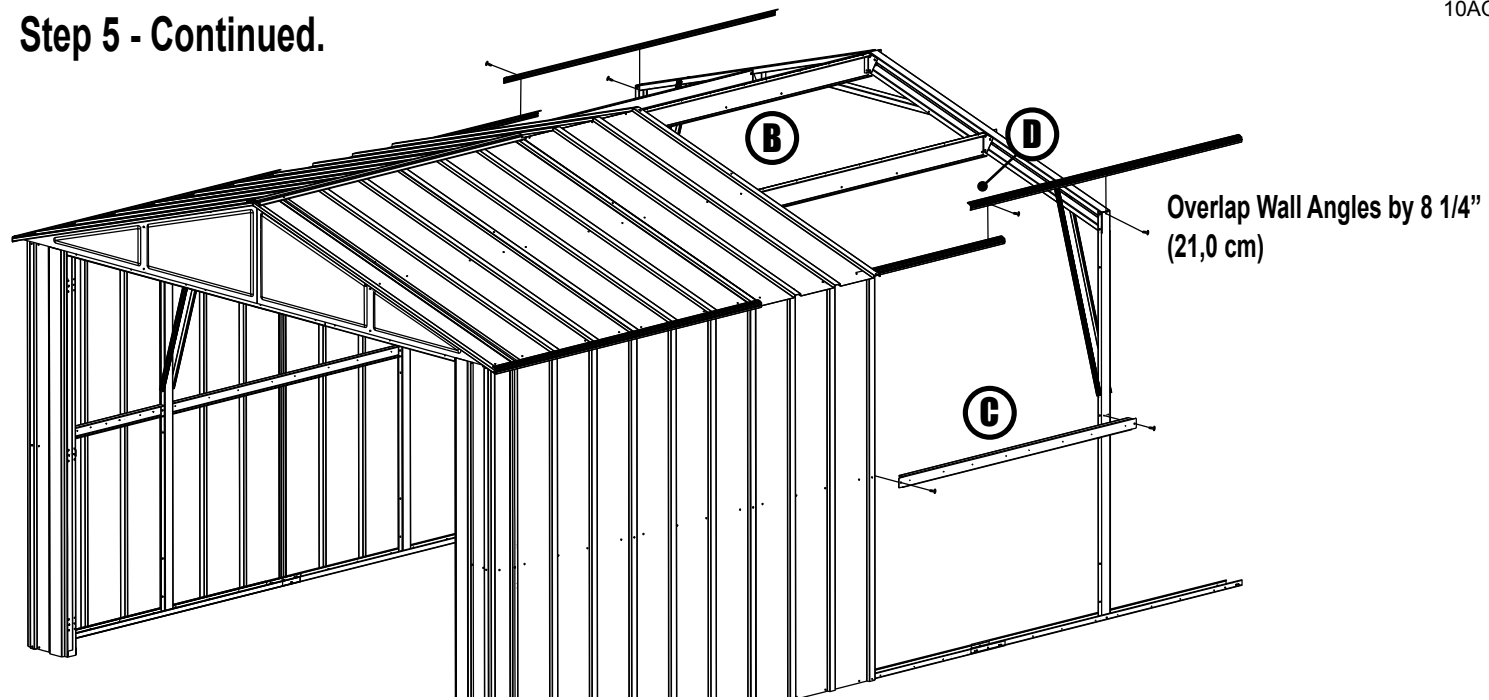
- A) Attach the Side Frame that came with the Module to the rear of the building as shown with two Bolts and Nuts. Side Frames should overlap by 8 1/4" (21,0 cm). Attach the Truss Assembly to the Floor Frame 57 1/2" (146,1 cm) behind the previous Truss using a Large Screw.



Step 5 continues on next page.

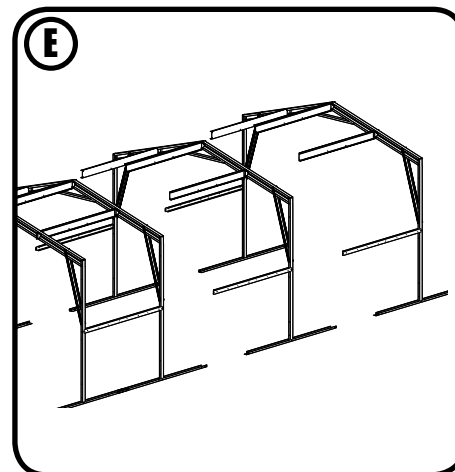
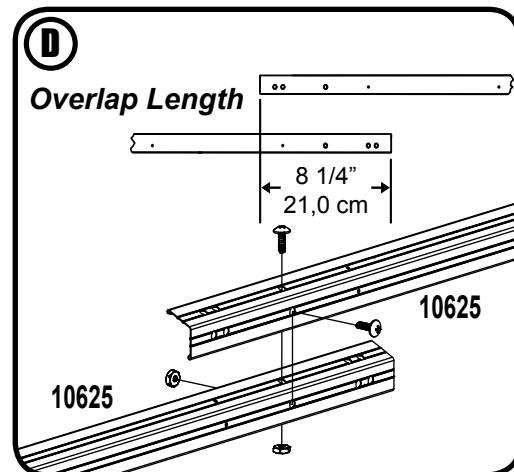
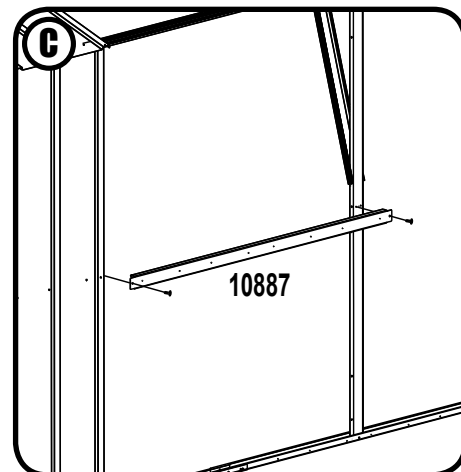
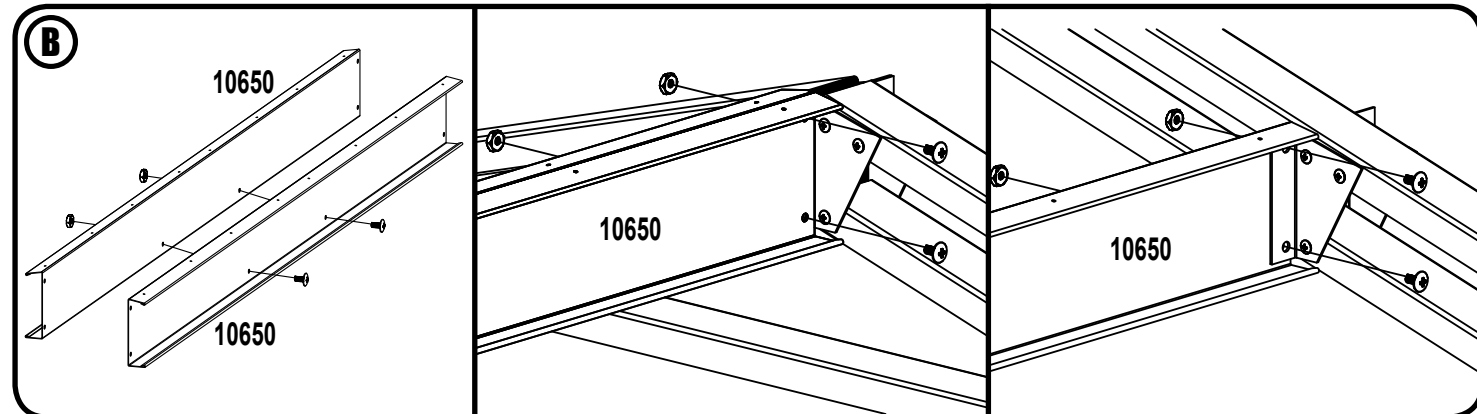
Step 5 - Continued.

10AQ



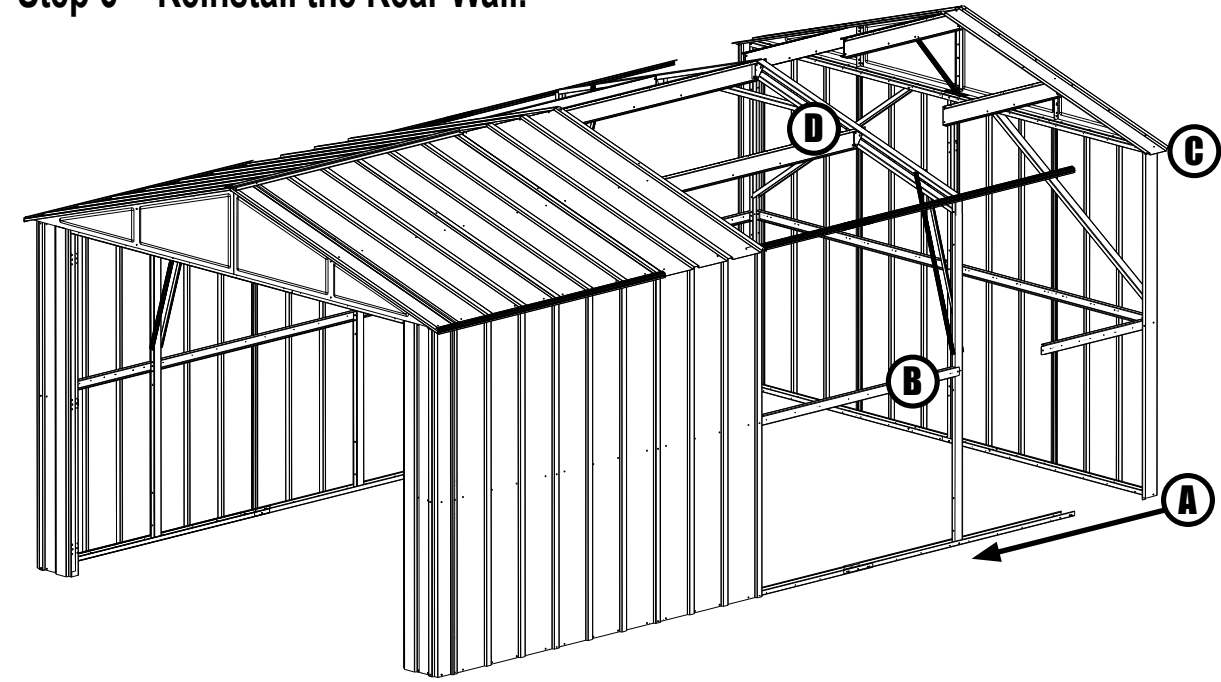
Each Module is installed identically to the existing Truss Sections:

- B)** Install Roof Beams with Bolts and Nuts.
- C)** Install Side Wall Channel with Large Screws.
- D)** Install Side Wall Angles. Wall Angles should overlap by 8 1/4" (21,0 cm). Use Bolts and Nuts where Wall Angles overlap. Use Large Screws where Wall Angles meet Trusses.
- E)** Repeat for additional Modules.



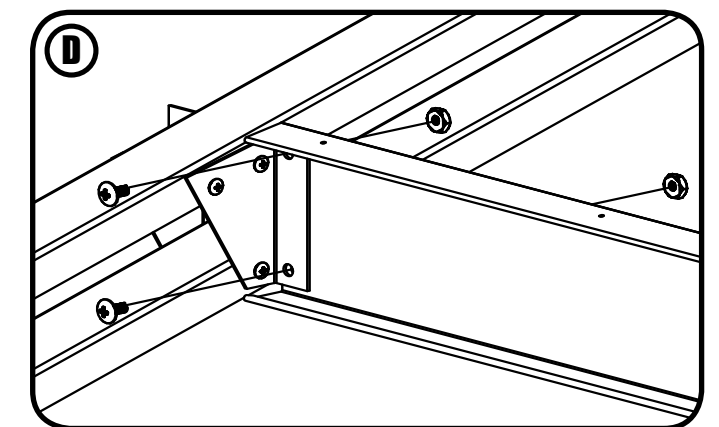
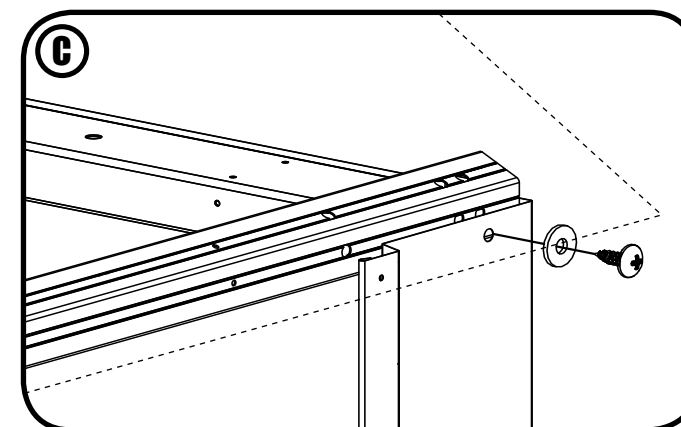
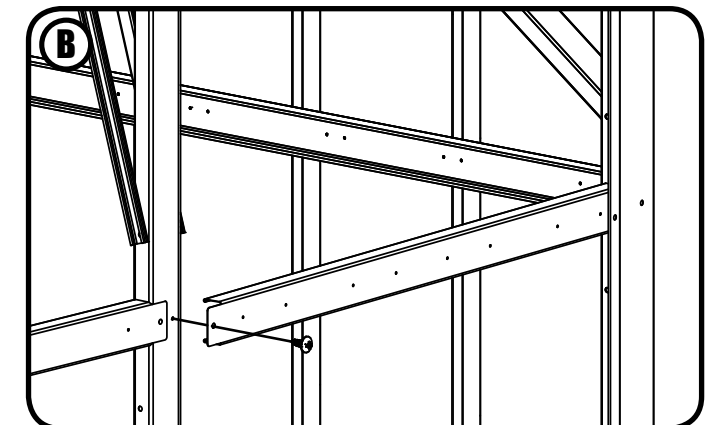
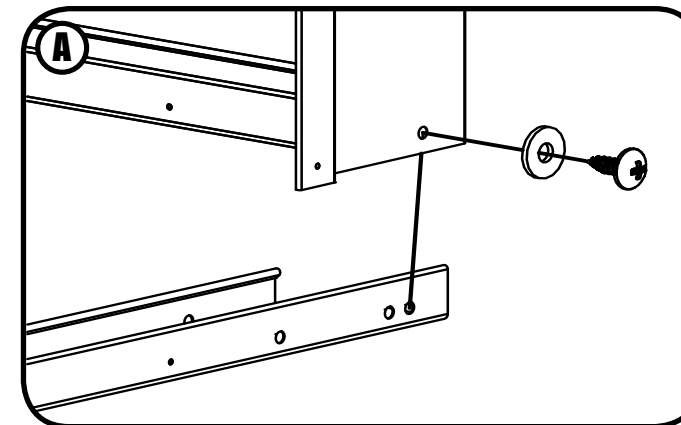
Step 6 - Reinstall the Rear Wall.

11J



Once all Truss Sections have been erected, you may reinstall the Rear Wall as follows:

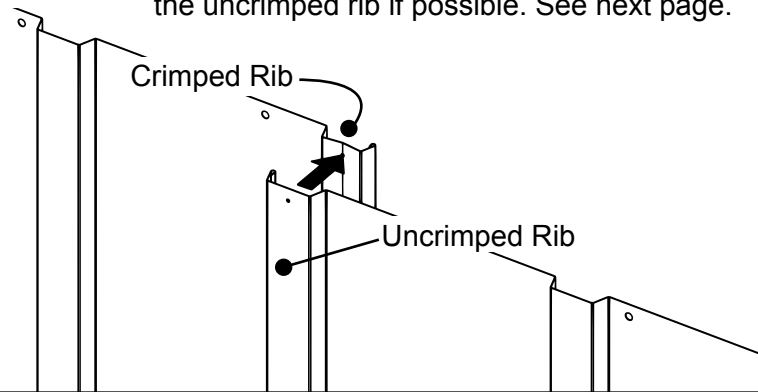
- A)** Fasten the Rear Wall to the Floor Frame with Large Screws.
- B)** Fasten the rear Wall Channels from the last Truss with Large Screws.
- C)** Fasten the Side Wall Angle to the Rear Wall with Large Screws. If holes do not align, it may be helpful to fasten the Side Wall Angle to the Rear Wall first, and then to the rest of the building.
- D)** Fasten the rear Roof Beams to the main building with Bolts and Nuts.



Step 7 - Install all Wall Panels.

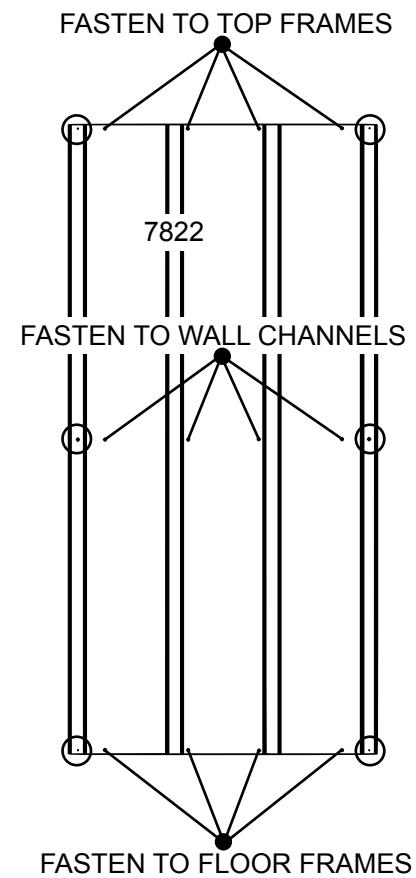
12J

NOTE Whenever a crimped rib and an uncrimped rib meet, the crimped rib should be placed UNDER the uncrimped rib if possible. See next page.

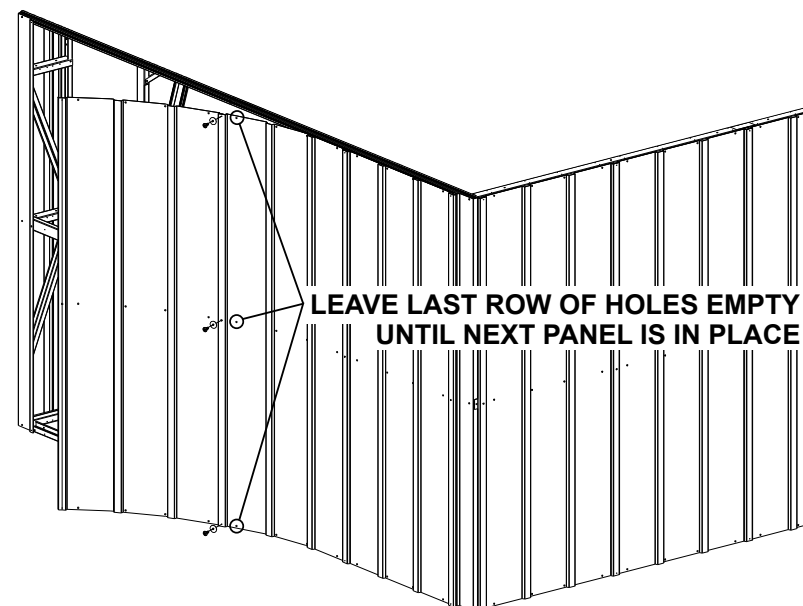


Use the diagram to the right when attaching Wall Panels.

- Secure the top row to Top Frames
- Secure the middle row to Wall Channels
- Secure the lower row to Floor Frames
- Secure the circled holes to the Panel next to it



IMPORTANT: When installing the Wall Panels over a Truss, you will need to 'roll' the Panels as shown to be able to attach the next Panel at the overlap. When securing the Panel to the building with Small Screws, do not insert Screws in the row of holes closest to the last rib of the Panel. Next, roll the Panel back slightly and attach the next Panel at the overlap with a Bolt and Nut in the center hole. Once this is done, continue securing the Panel to the building.



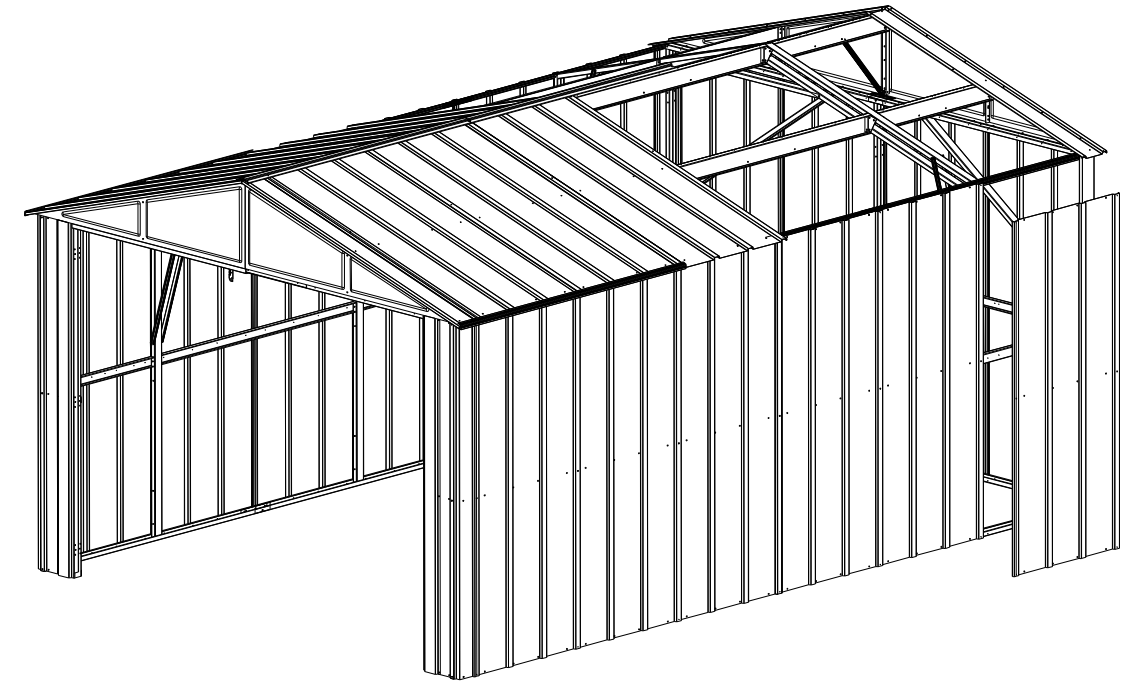
12

You will need the following parts for this step:

7822 Wall Panel

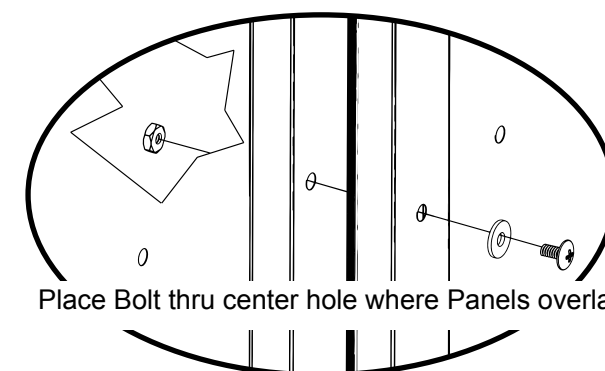
NOTE Use washers on all fasteners used on painted parts.

13J



Install ALL Wall Panels:

- Working one side at a time, lift the Panels into place and secure with three Small Screws in the top of the Panel, three Small Screws in the middle of the Panel, and three Small Screws in the bottom of the Panel. Roll the Panel back as shown on the previous page and overlap the rib with the rib of the next Panel.
- Secure the Panels with a Bolt and Nut thru the center hole at the overlap (see below). Next, finish securing the Panels to the building with Small Screws as shown in the diagram on the previous page.
- Continue until all Wall Panels have been installed.



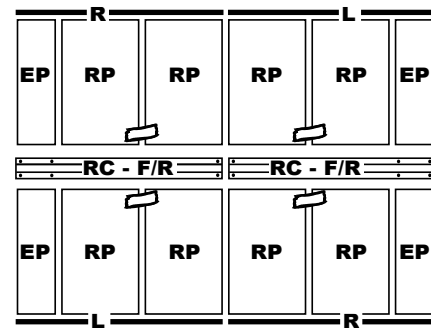
Continue until ALL Wall Panels have been installed.

13

Roof Assembly Chart

10'x10'
(3,0 m x 3,1 m)

No Extension Modules.



EP = End Panel (8578 / 8579)

RP = Roof Panel (7743)

RC - F/R = Front and Rear Ridge Cap (10621)

RC - MID = Mid Ridge Cap (10680)

L = Left Roof Trim (80017)

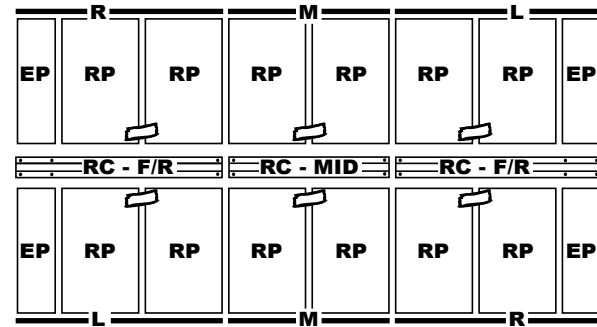
R = Right Roof Trim (10620)

M = Mid Roof Trim (6015)

= Strip of Tape

10'x15'
(3,0 m x 4,6 m)

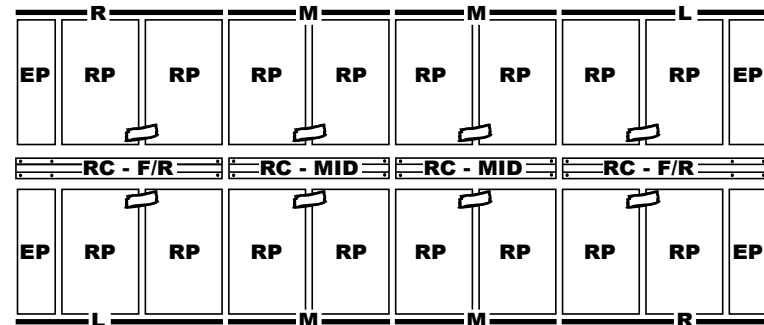
1 Extension Module.



IMPORTANT: The symbol indicates a 2" (5,1 cm) strip of Weather Stripping Tape. Cut two strips of tape as well as two additional strips for each Extension Module you are installing and set aside for later use.

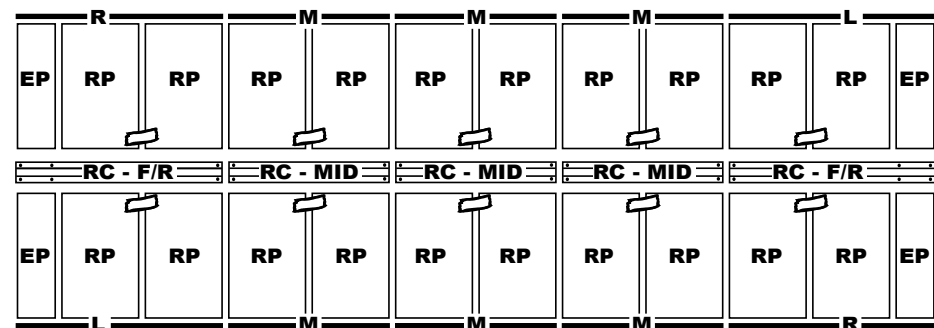
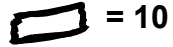
10'x20'
(3,0 m x 6,1 m)

2 Extension Modules.



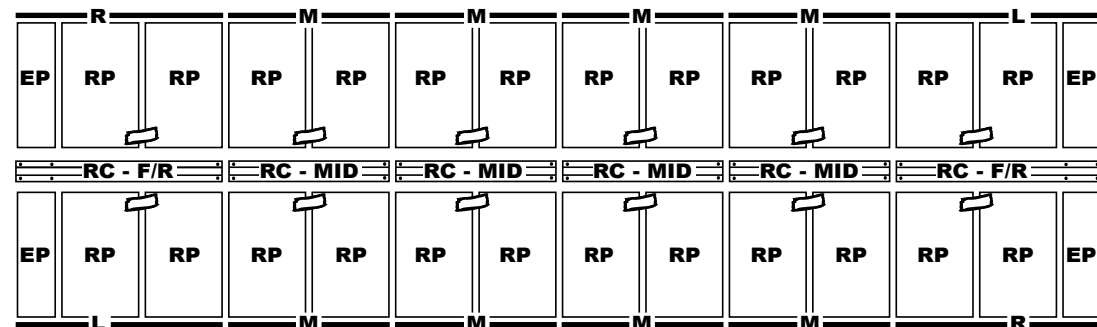
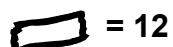
10'x25'
(3,0 m x 7,5 m)

3 Extension Modules.



10'x30'
(3,0 m x 9,0 m)

4 Extension Modules.



← FRONT

REAR →

Step 8 - Install Roof Panels and Trim.

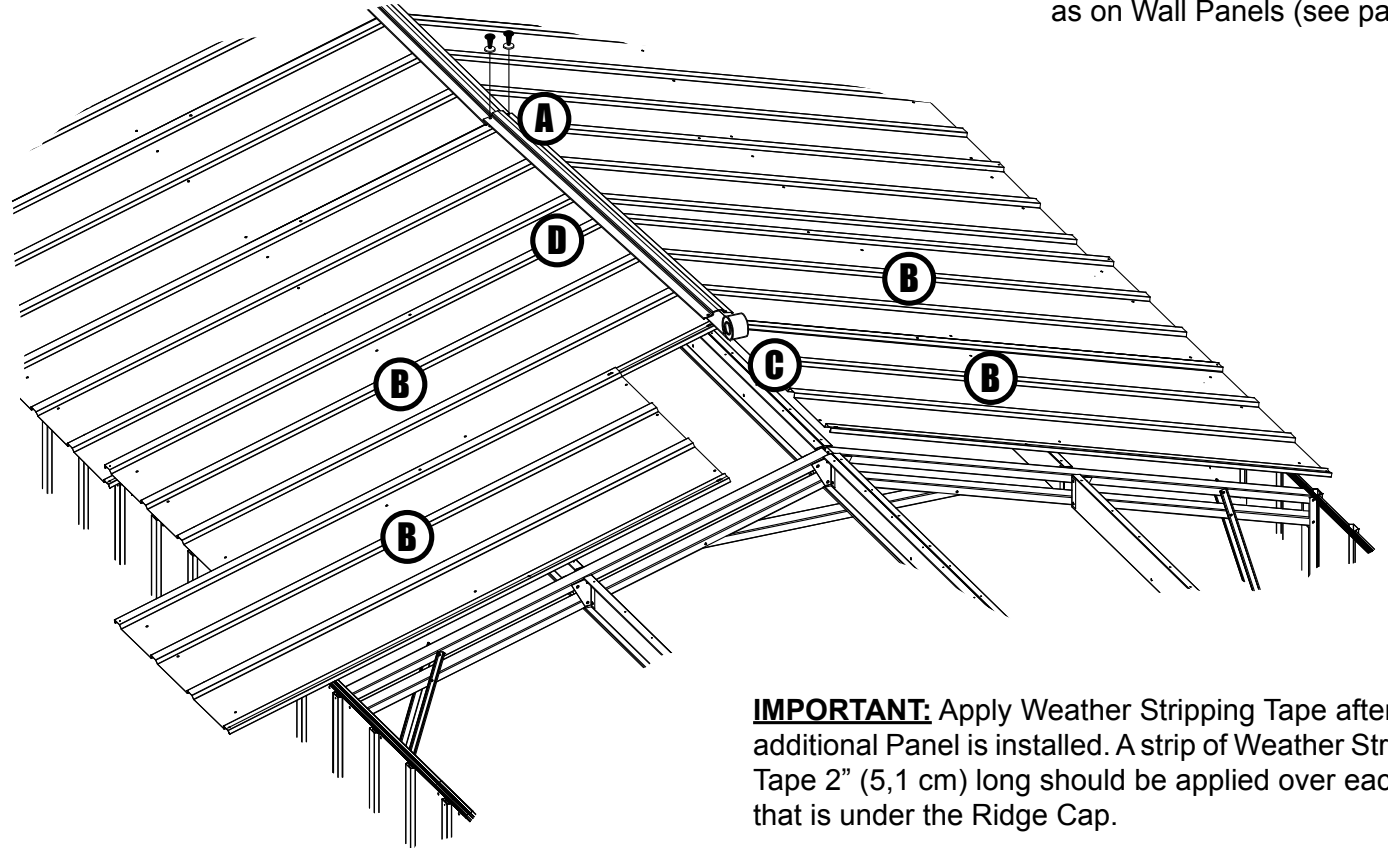
You will need the following parts for this step:

7743 Roof Panel

10680 Mid Ridge Cap

NOTE Use washers on all fasteners used on painted parts.

NOTE You will need to 'roll' the Panels to secure the ribs together, just as on Wall Panels (see page 12).



IMPORTANT: Apply Weather Stripping Tape after each additional Panel is installed. A strip of Weather Stripping Tape 2" (5,1 cm) long should be applied over each Bolt that is under the Ridge Cap.

Working with one Truss Section at a time:

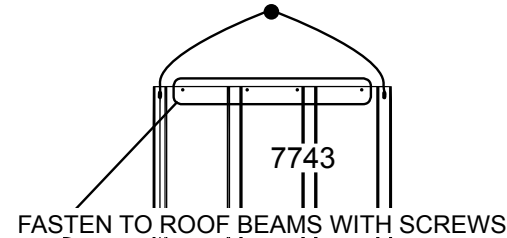
- A) Attach one end of the Mid Ridge Cap to the Front Ridge Cap with two Bolts and Nuts.
- B) Install four Roof Panels.
- C) Seal the ridge of the building with Weather Stripping.
- D) Where Panels overlap under the Ridge Cap, secure with Bolts and Nuts and seal with a strip of tape (see page 14).

Repeat these steps for additional Modules.

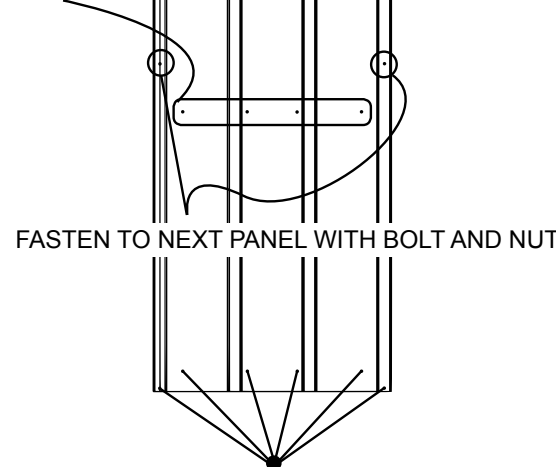
Use the diagram to the left when attaching Roof Panels.

- Secure the top row to Roof Beams
- Secure the middle row to Roof Beams
- Secure the lower row to Side Wall Angles after all Panels have been installed.

FASTEN TO RIDGE CAP WITH BOLTS AND NUTS



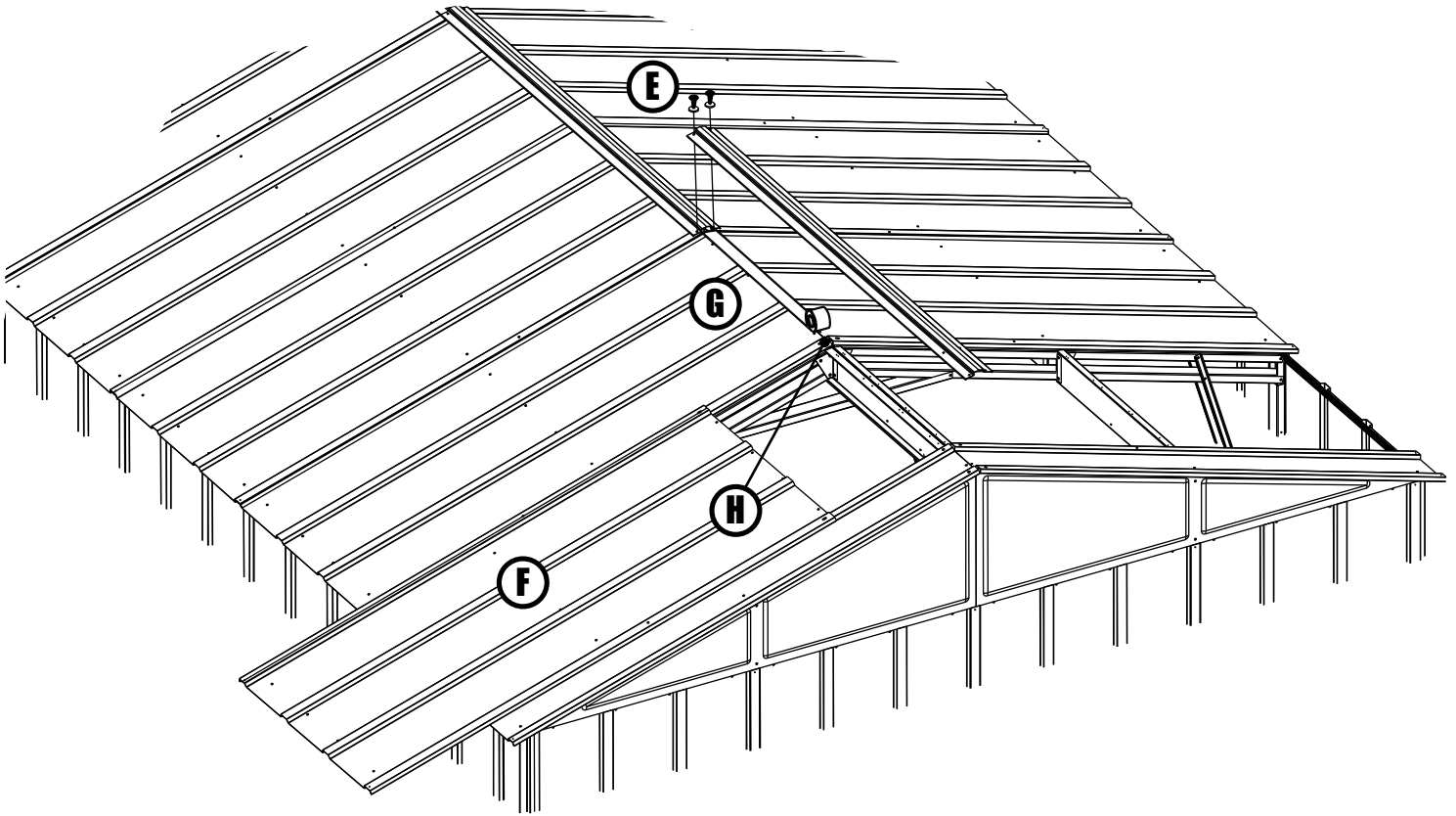
FASTEN TO ROOF BEAMS WITH SCREWS



FASTEN TO NEXT PANEL WITH BOLT AND NUT

FASTEN TO WALL ANGLES LAST

Step 8 continues on back page.

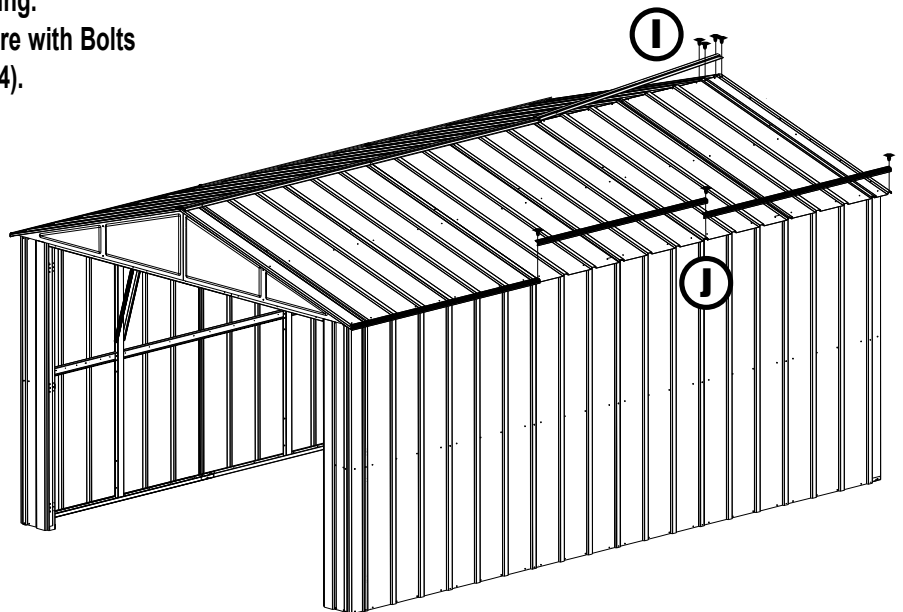


With two Panels remaining:

- E) Attach the end of the rear Ridge Cap with two holes to the Mid Ridge Cap with two Bolts and Nuts.
- F) Install the last two Roof Panels.
- G) Seal the ridge of the building with Weather Stripping.
- H) Where Panels overlap under the Ridge Cap, secure with Bolts and Nuts and seal with a strip of tape (see page 14).

Once all Panels are in place:

- I) Secure the rear Ridge Cap at the back of the building with four Bolts and Nuts.
- J) Reinstall Roof Trim and Corner Caps with Small Screws.



IMPORTANT: Once the building is assembled, anchor the added sections of the building in the same manner as the rest of the building.