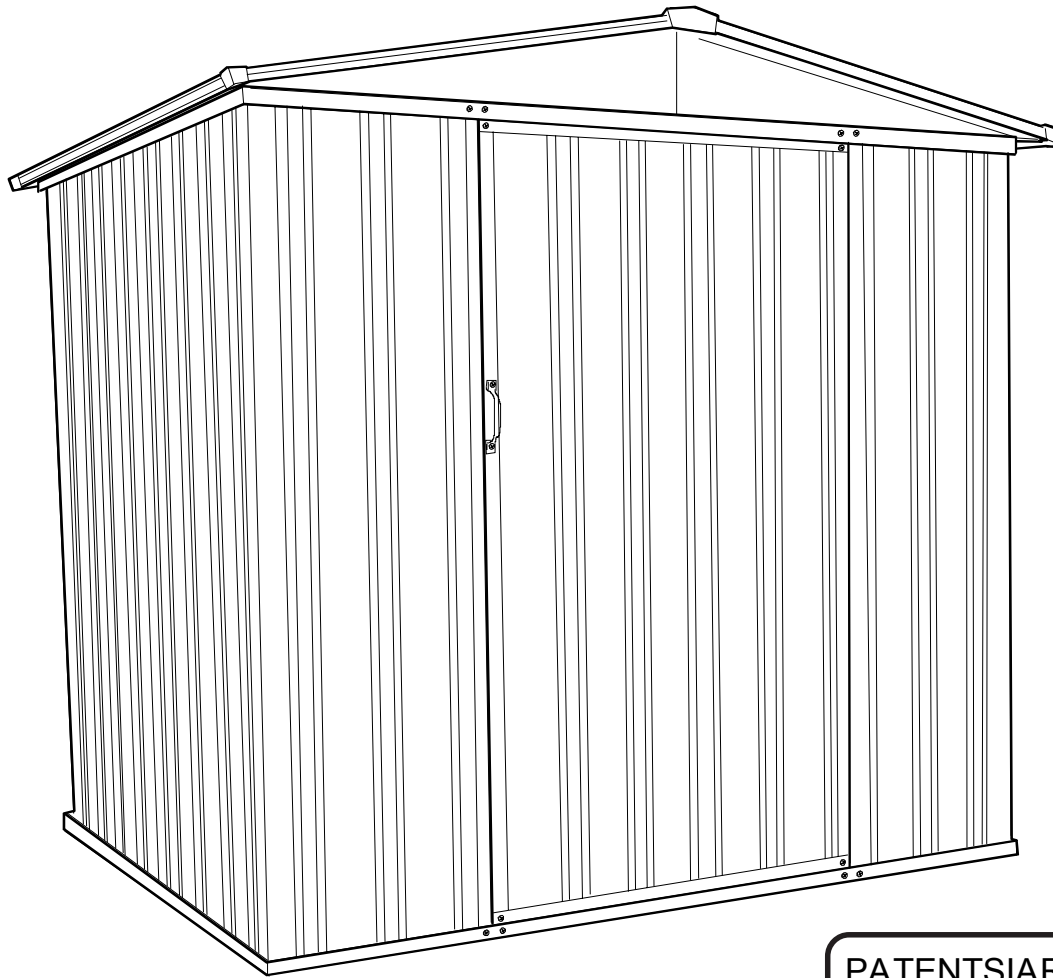


# Assembly Manual



## 6x5

PATENTS ARE PENDING

**CAUTION**

**Sharp Edges**

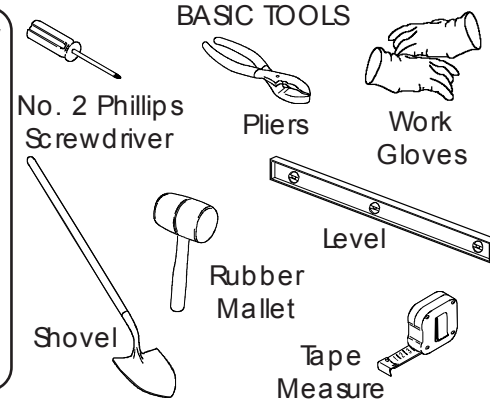
Building Dimensions								
Approximate Size	Storage Area		Exterior Dimensions			Interior Dimensions		
			Roof Edge to Roof Edge			Wall to Wall		
	Sq. Ft.	Cu. Ft.	Width	Depth	Height	Width	Depth	Height
6' x 5'	24.75	140.25	69.75"	62"	72"	66"	54"	71"
1.8m x 1.5m	2.30m <sup>2</sup>	3.97m <sup>3</sup>	177.17cm	157.48cm	182.88cm	167.64cm	137.16cm	180.34cm

712570117

# Before You Begin

## Site Preparation

1. Before beginning construction, check local building codes regarding footings, location and other requirements. Study and understand this owner's manual.
2. Follow all directions and dimensions carefully.
3. Follow the step sequence carefully for correct results.
4. Be sure all the parts fit together properly before proceeding.
5. **SAFETY FIRST.** Care must be taken when handling various pieces of your kit since some contain sharp edges. Wear work gloves, eye protection and long sleeves when assembling or performing any maintenance on your building.
6. **GROUND MUST BE LEVEL:** Be sure Floor Frames lie flat on ground. To prepare earth bed, remove sod and other debris. Level the high spots with flat shovel and tamp the bed down. Refer to Page 24 for Parts List.



## Foundation Recommendations

Local building codes vary by region, refer to your local codes for specifications.

### Concrete Slab

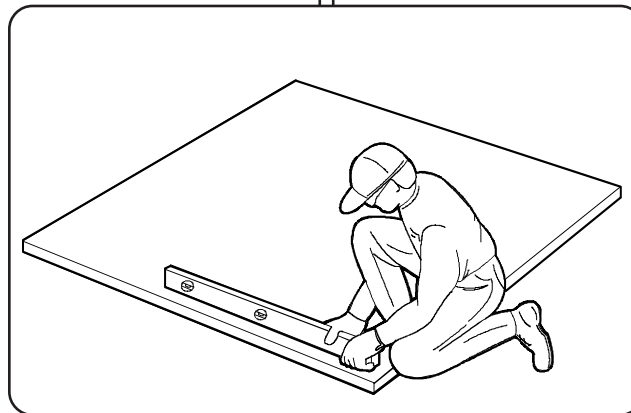
1. Select level site for building.
2. Remove 6" of soil for slab.
3. Compact 4" gravel in hole.
4. Place 6 ml plastic over gravel.
5. Construct 2 x 4 form.
6. Pour concrete and level.

#### Slab Dimensions

56 1/2" (143,5cm)

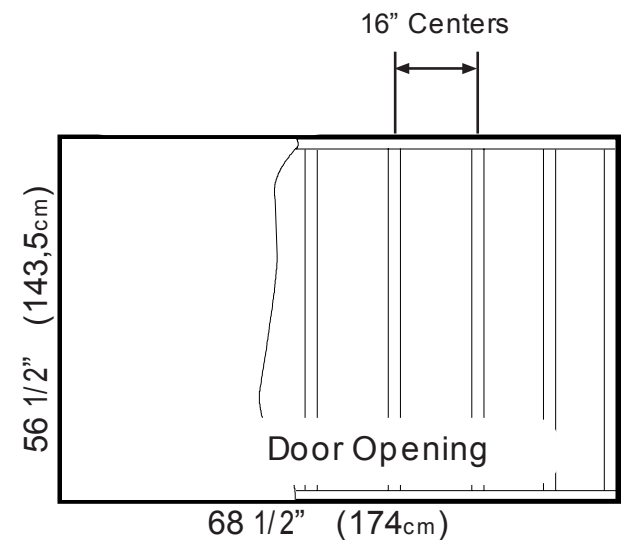
Door Opening

68 1/2" (174cm)



### Wood Platform

1. Construct with 2 x 4 treated lumber and 5/8" minimum exterior grade plywood using galvanized nails.
2. Level platform.



# Care & Maintenance

**Finish:** For long lasting finish, periodically clean and wax the exterior surface. Touch up scratches as soon as you notice them on your building. Immediately clean the area with a wire brush; wash it and apply touch up paint per manufacturer's recommendation.

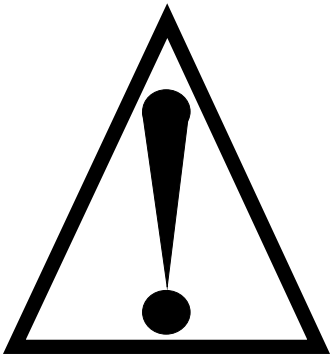
**Roof:** Keep roof clean of leaves and snow with long handled, soft bristled broom. Heavy amounts of snow on roof can damage the building making it unsafe to enter.

**Doors:** Keep doors closed to prevent wind damage.

**Fasteners:** Regularly check you building for loose screws, bolts, nuts, etc. and retighten them as necessary.

**Moisture:** With changing temperatures, condensation will accumulate inside the building.

**Other Tips:** A noncorrosive caulking is helpful to seal the building.



Do Not store swimming pool chemicals in your building.  
Combustibles and corrosives must be stored in air tight containers.



# Step 1 Pre-Assembly Side Walls



Part No	Name	Quantity
10307	Wall Panel	8
10268	Corner Panel	2

## ASSEMBLY COMMON FOR ALL PANELS

**(A)**

MAKE TWO (2) SIDE WALL SECTIONS  
4 Panels & 1 Corner - Each

**CAUTION**  
Sharp Edges

ARROW TO TOP

**IMPORTANT**  
MUST USE FLAT SOLID SURFACE  
DO NOT SNAP ON GROUND OR GRASS!

**(B)**

Raise Panel at Angle

1 2

**NOTE: ALWAYS COVER THE ARROW!**

Overlap Panels and align ends

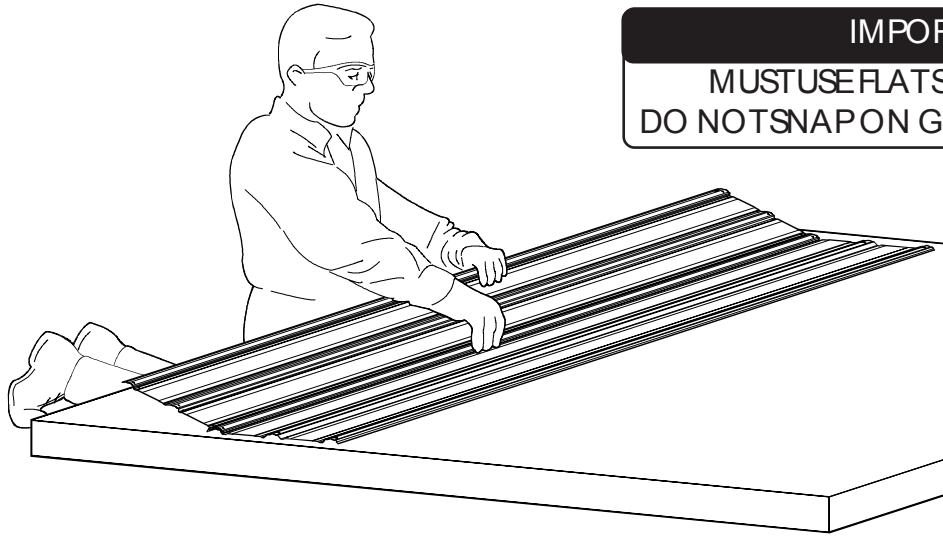
**(C)**

Hook edge of top Panel to bottom Panel



D

Bring Top Panel down flat while maintaining pressure in the middle to keep edge hooked

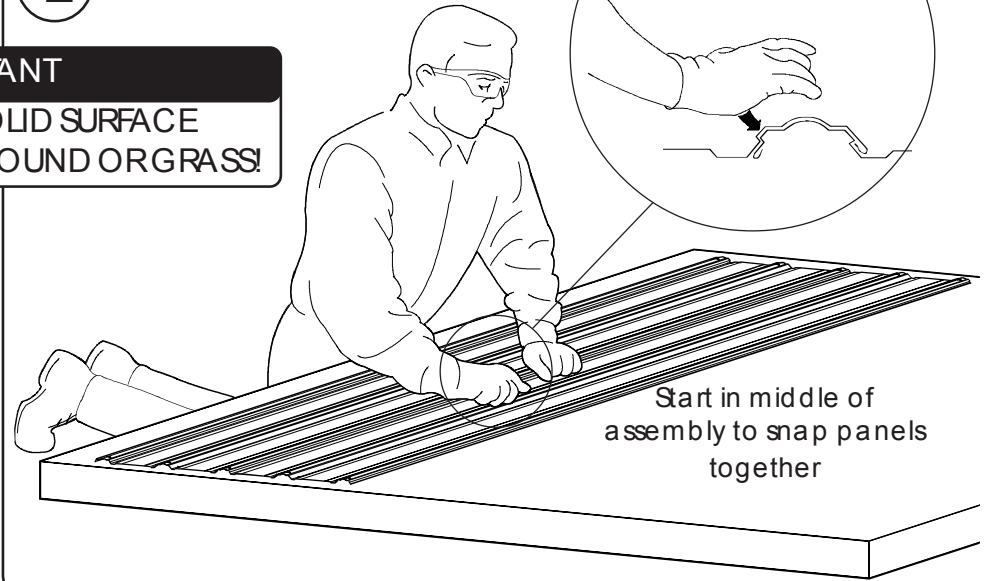


**IMPORTANT**

**MUST USE FLAT SOLID SURFACE  
DO NOT SNAP ON GROUND OR GRASS!**

E

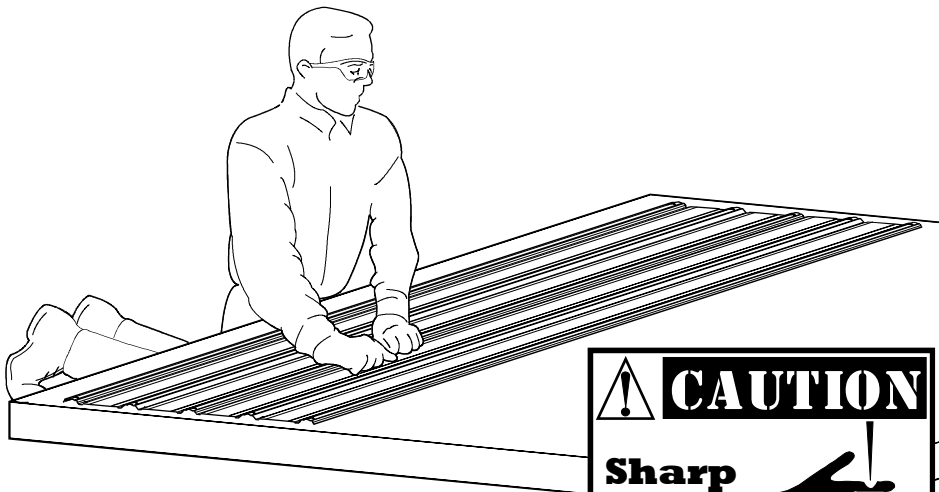
Apply pressure in area shown



Start in middle of assembly to snap panels together

F

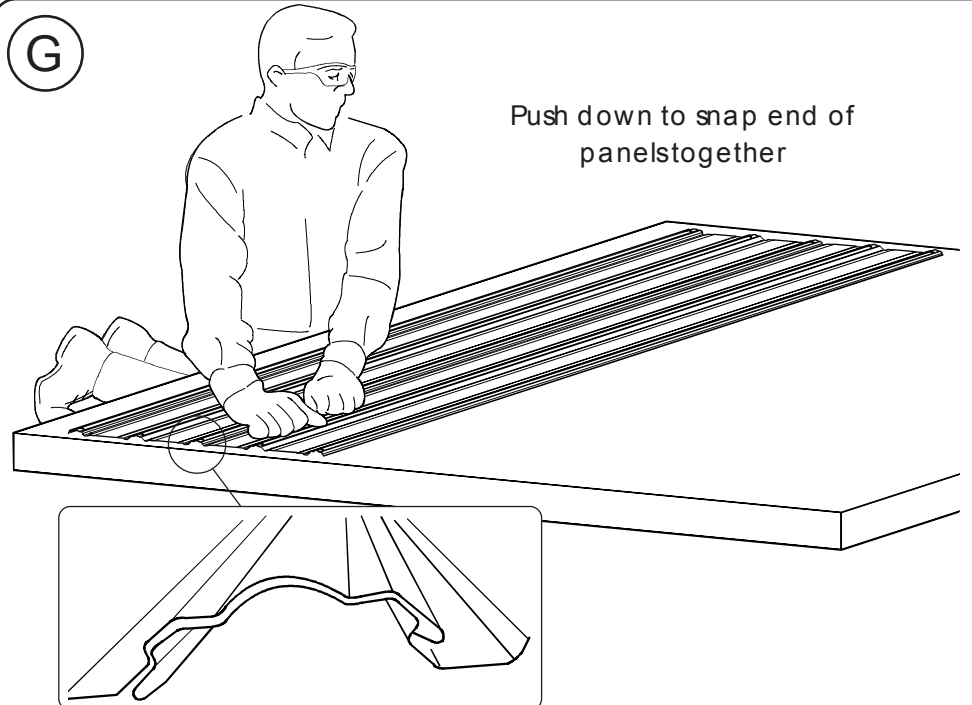
Push down to snap Panels together working from the center outward in both directions



**CAUTION**  
**Sharp Edges**

G

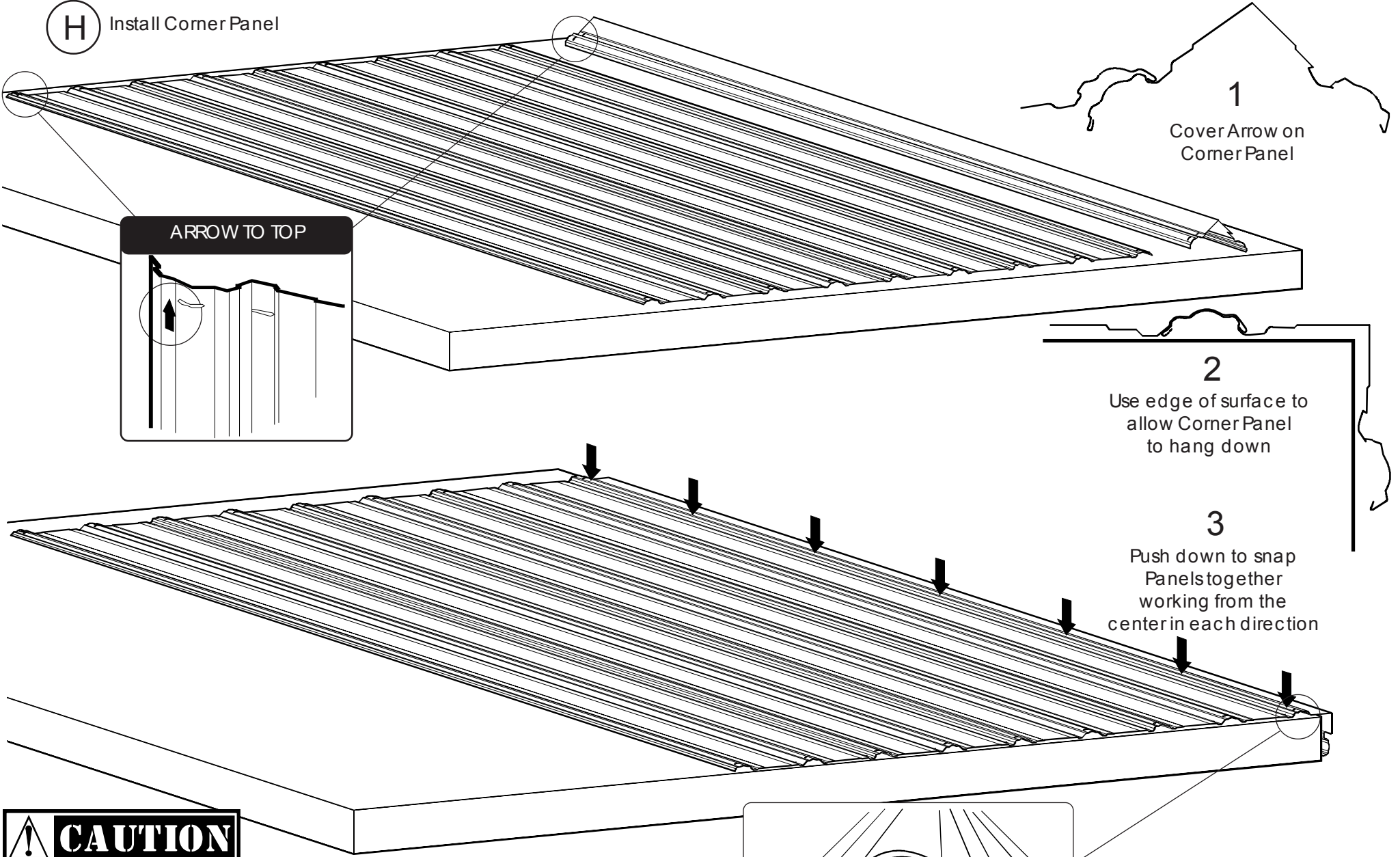
Push down to snap end of panel together



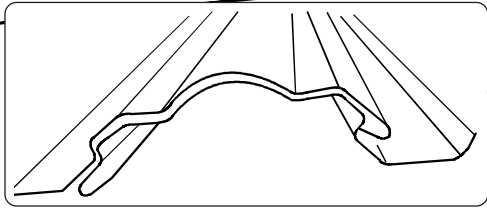
Pre-Assembly Side Walls. . . cont



**H** Install Corner Panel



**CAUTION**  
Sharp Edges





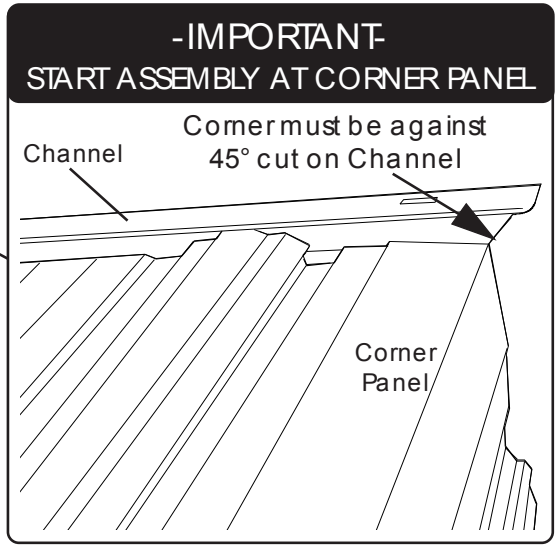
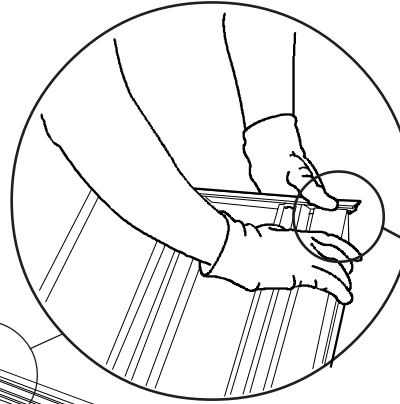
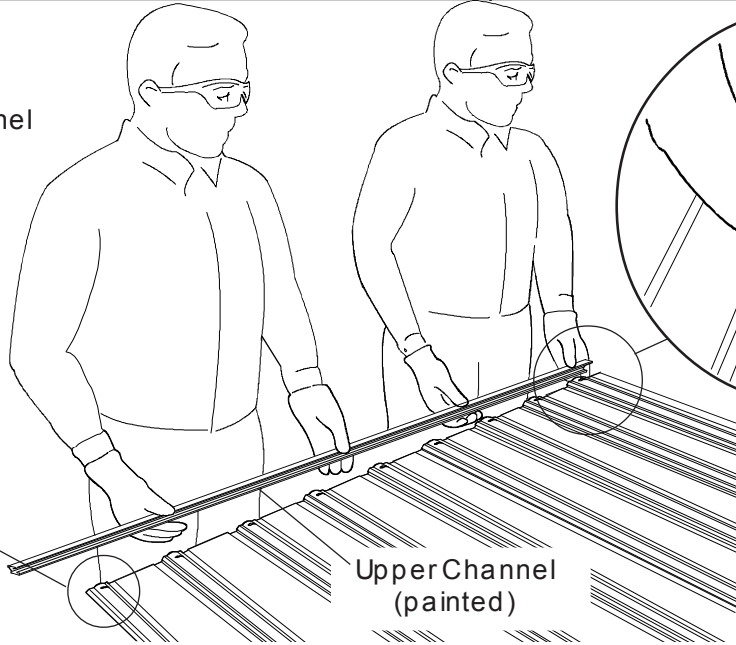
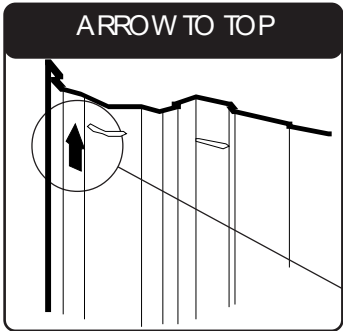
# Pre-Assembly Side Walls. . . cont



Part No	Name	Quantity
10261	Upper Channel (painted)	2

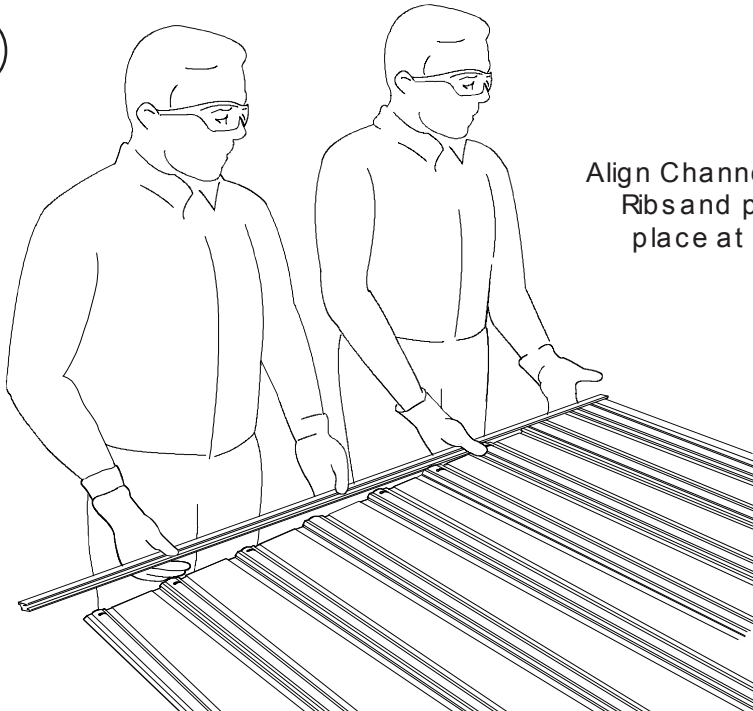
I

Attach Upper Channel (painted)



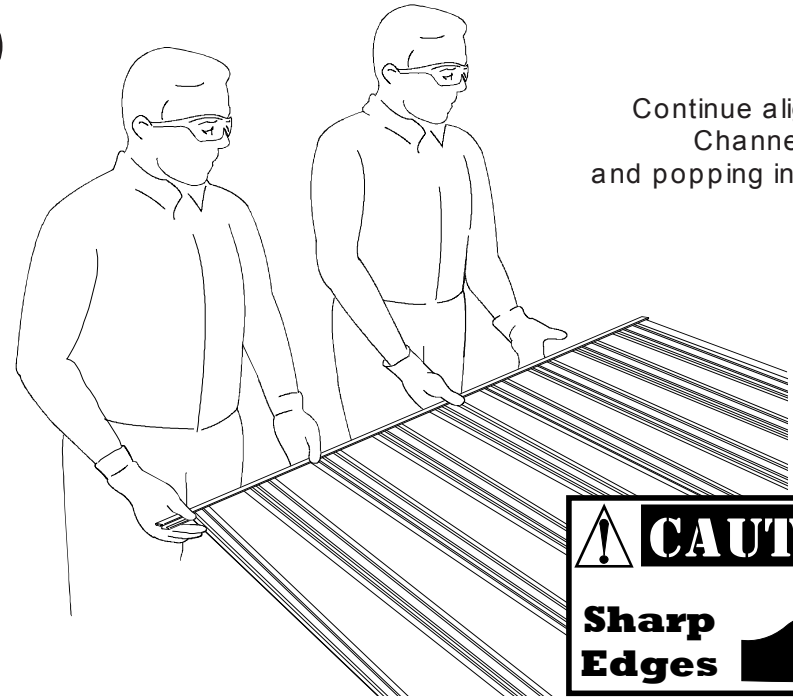
J

Align Channel to Panel Ribs and pop into place at corner



K

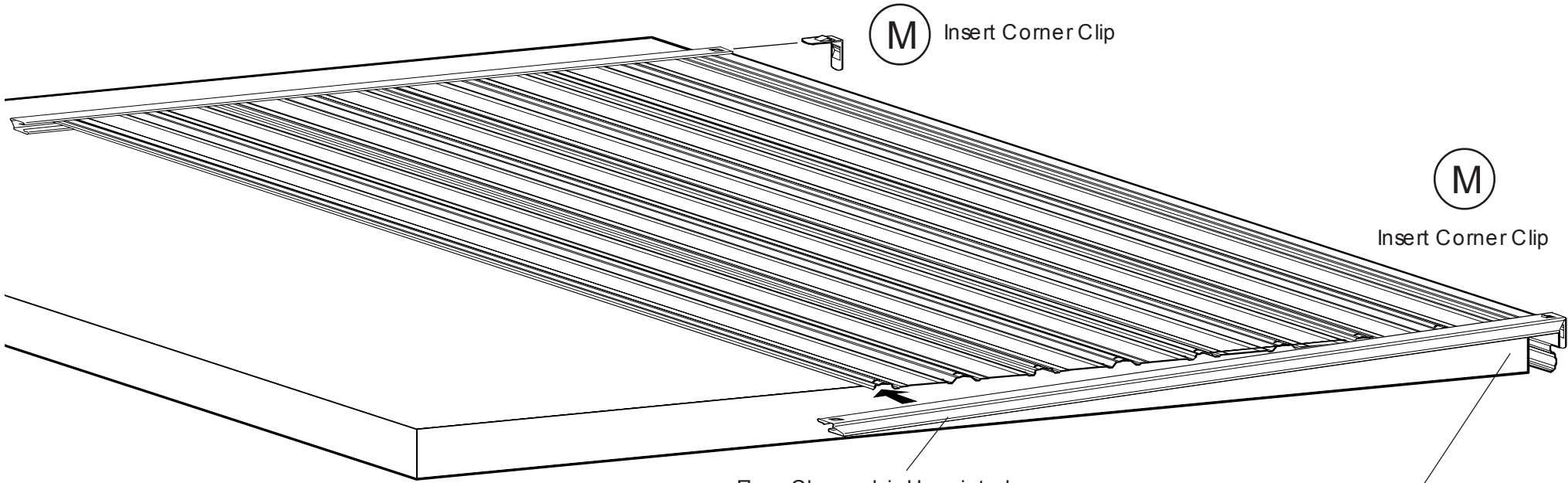
Continue aligning Channel and popping into place



Pre-Assembly Side Walls . . . .cont



Part No	Name	Quantity
10255	Floor Channel (unpainted)	2
10280	Corner Clip	4



**L** Attach Floor Channel in the same sequence as Upper Channel.

Floor Channel is Unpainted

**-IMPORTANT-**  
**START ASSEMBLY AT CORNER PANEL**

Corner must be against 45° cut on Channel

Channel  
 Corner Panel



MAKETWO (2) SIDE WALL SECTIONS



# Step 2 Pre-Assembly Rear Wall



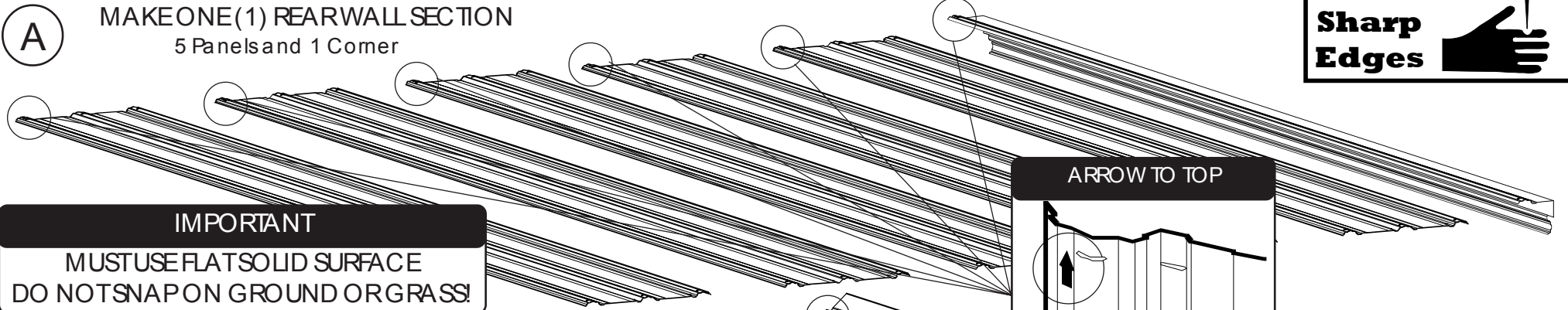
Part No
10307
10268

Name
Wall Panel
Corner Panel

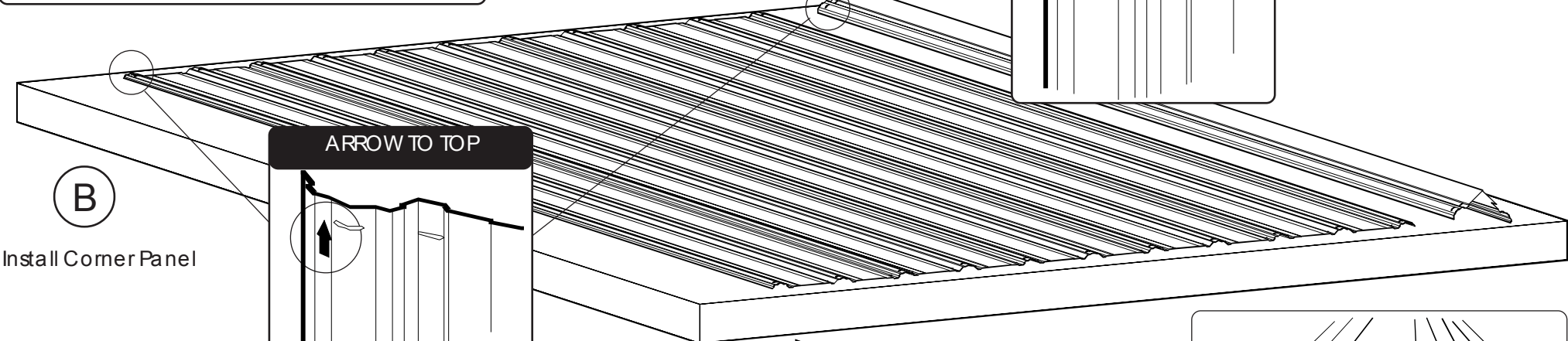
Quantity
5
1

 **CAUTION**  
**Sharp Edges** 

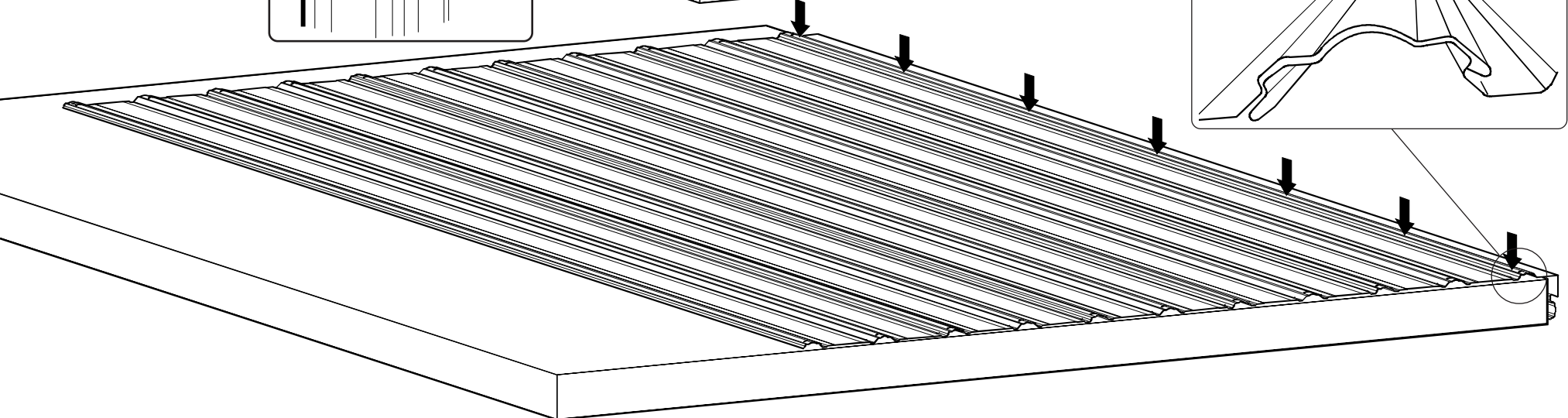
**A** MAKE ONE (1) REAR WALL SECTION  
5 Panels and 1 Corner



**IMPORTANT**  
MUST USE FLAT SOLID SURFACE  
DO NOT SNAP ON GROUND OR GRASS!



**B**  
Install Corner Panel



# Pre-Assembly Rear Wall . . .cont



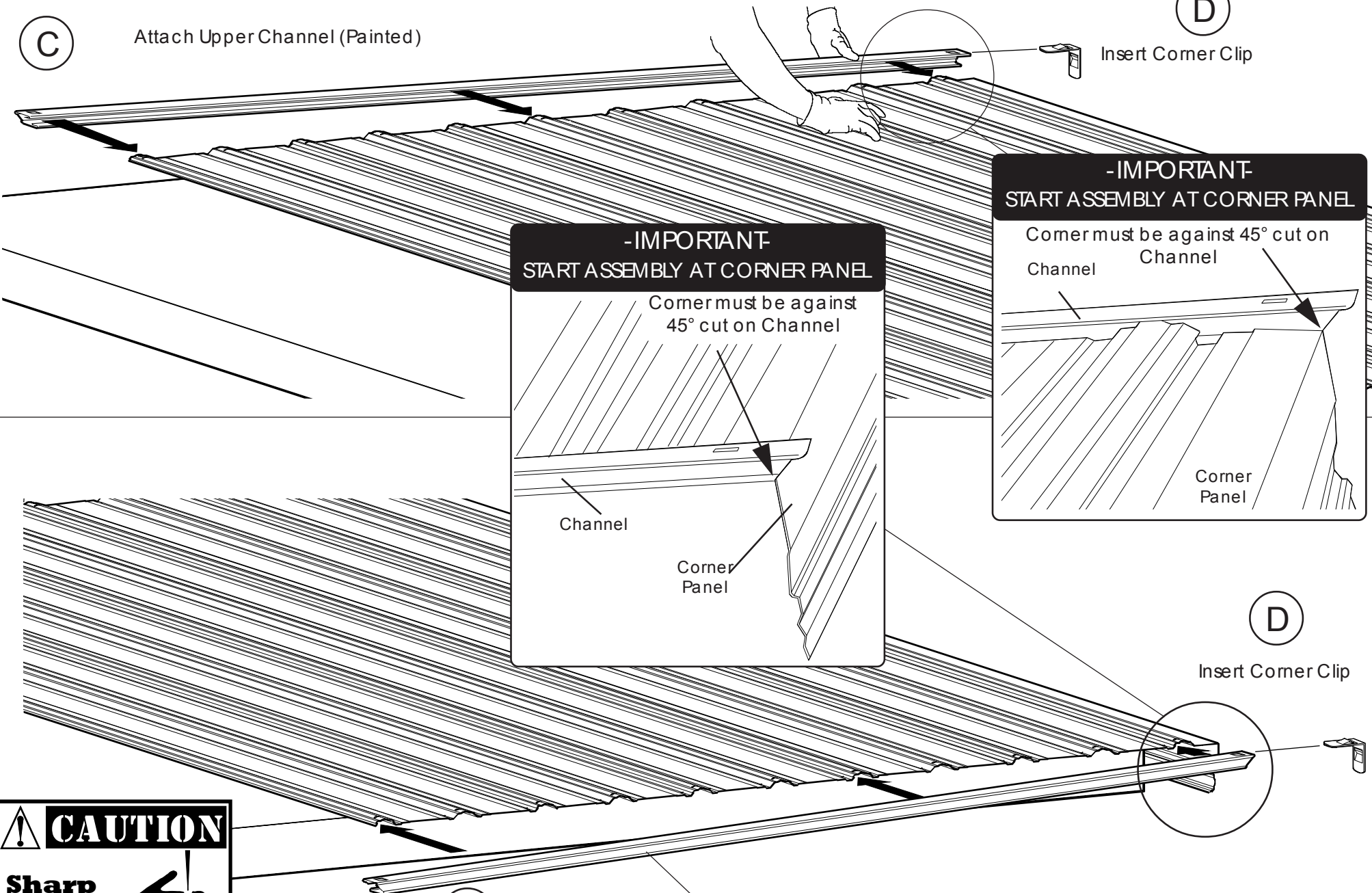
Part No	Name	Quantity
10262	Upper Channel (painted)	1
10256	Floor Channel (unpainted)	1
10280	Corner Clip	2

**C**

Attach Upper Channel (Painted)

**D**

Insert Corner Clip



**-IMPORTANT-**  
**START ASSEMBLY AT CORNER PANEL**

Corner must be against 45° cut on Channel

Channel

Corner Panel

**-IMPORTANT-**  
**START ASSEMBLY AT CORNER PANEL**

Corner must be against 45° cut on Channel

Channel

Corner Panel

**D**

Insert Corner Clip

**E**

Attach Floor Channel (unpainted) in the same sequence as Upper Channel.

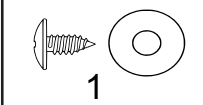
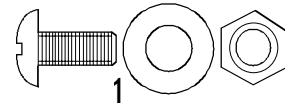
**CAUTION**

Sharp Edges

# Step 3 Pre Assembly Front Wall

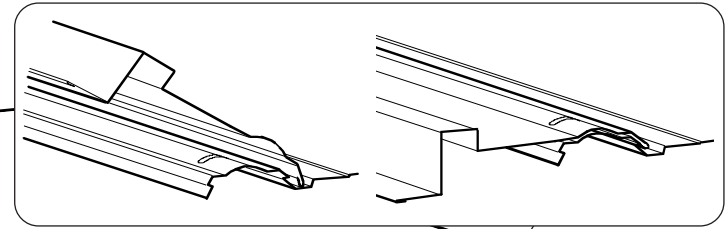


Part No	Name	Quantity
10316	Wall Panel Right	1
10317	Wall Panel Left	1
10373	Door Jamb	2
10268	Corner Panel	1

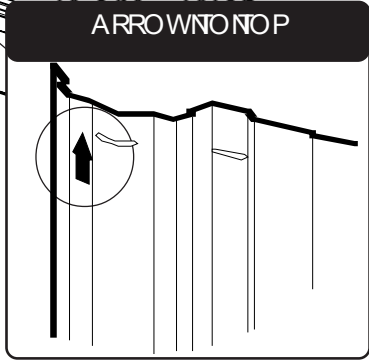


- A** Assemble Door Jamb to Wall Panels  
 Install Bolt Washer & Nut in left Door Jamb  
 Install Screw and Washer in right Door Jamb

Door Jamb always on top of Panel



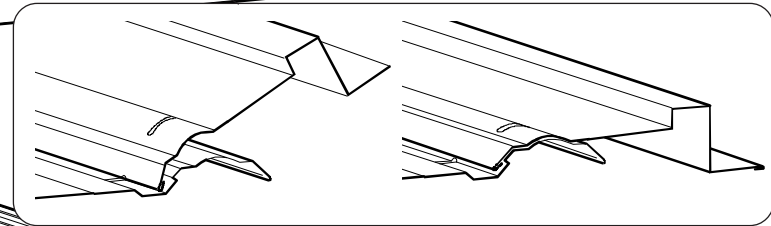
ARROW TOP



10316

10317

- B** Install Corner Panel



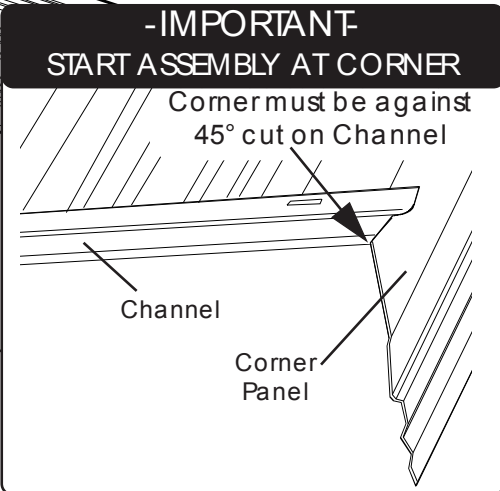
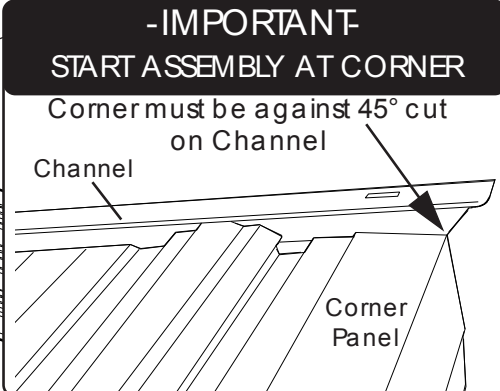
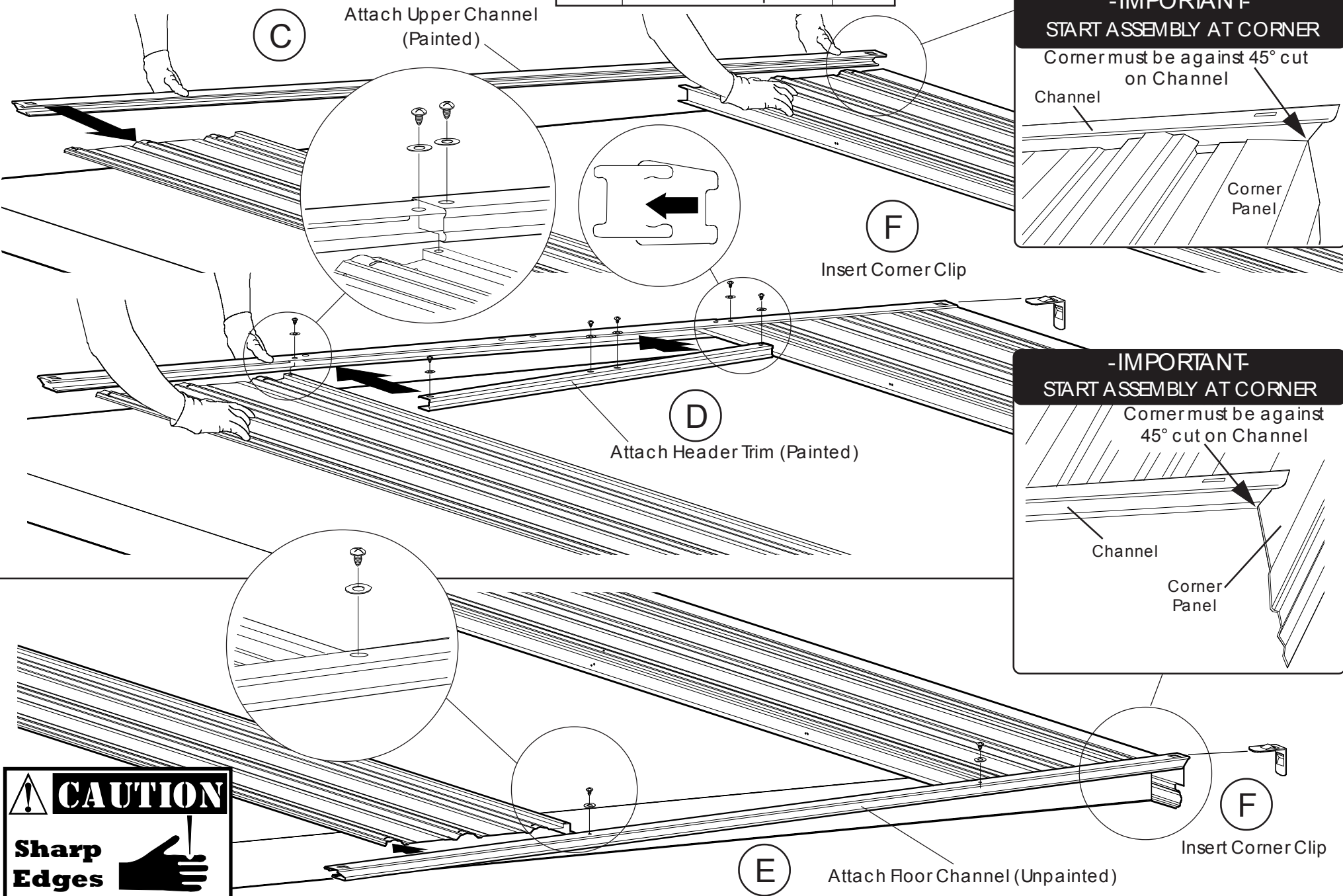
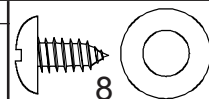
Wall Panel on top of Corner Panel



Pre-Assembly Front Wall . . . .cont



Part No	Name	Quantity
10262	Upper Channel	1
10263	Header Trim	1
10256	Floor Channel	1
10280	Corner Clip	2

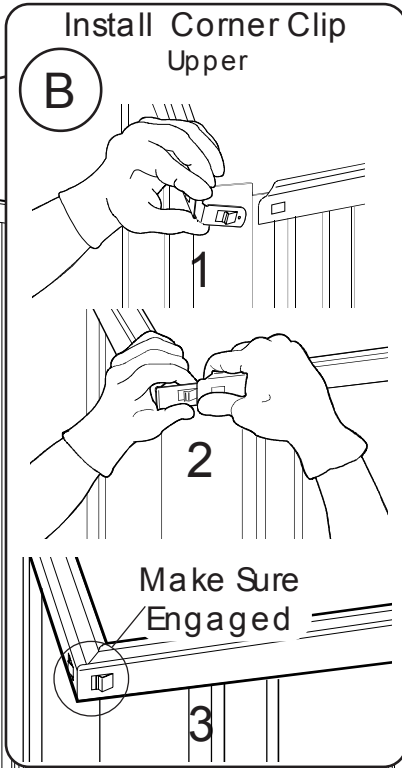
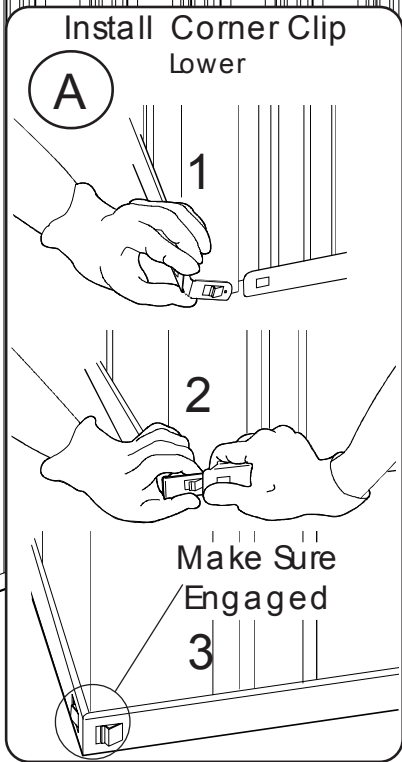
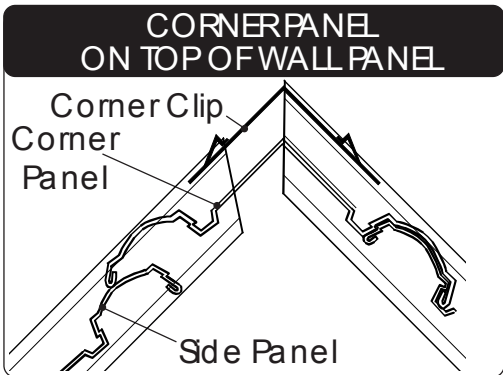




# Step 4 Wall Assembly



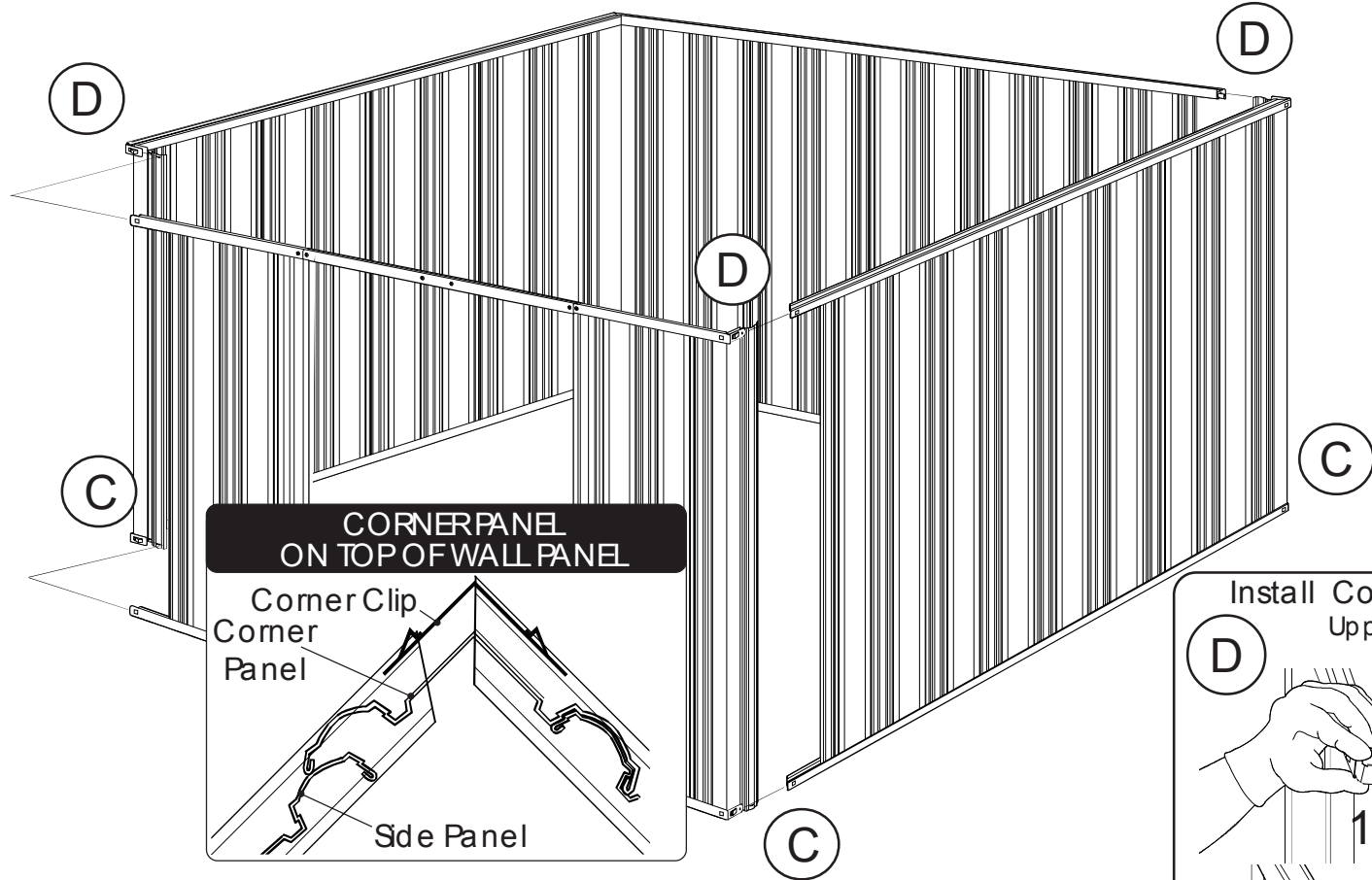
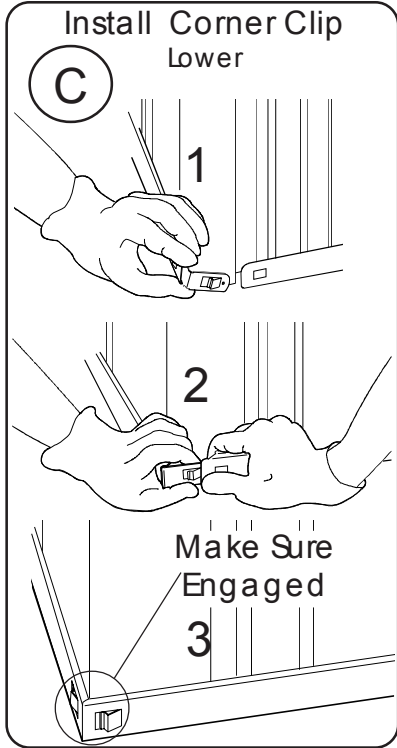
Part No	Name	Quantity
	Side Wall Assembly	1
	Rear Wall Assembly	1



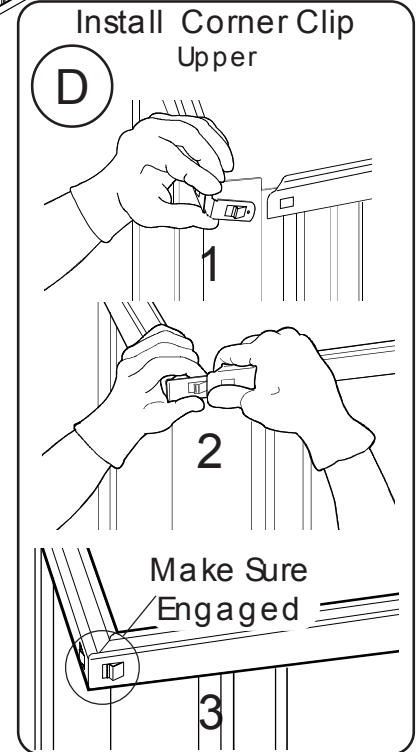
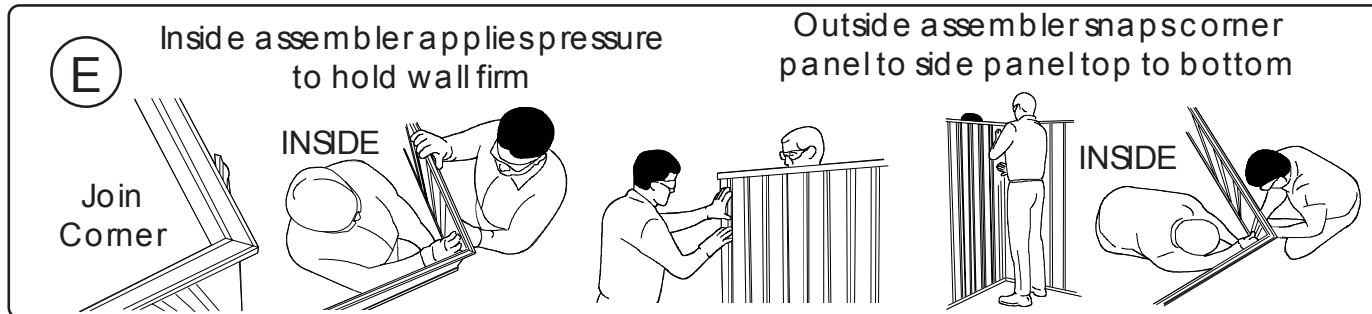
# Wall Assembly . . . .cont



Part No	Name	Quantity
	Side Wall Assembly	1
	Front Wall Assembly	1



Snap Corner Panels to Wall Panel

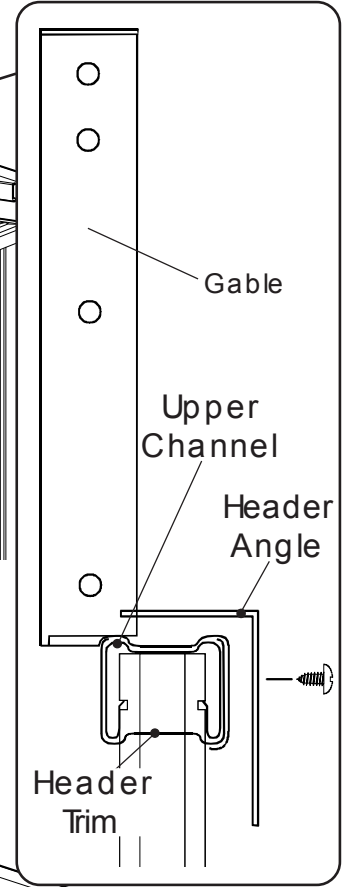
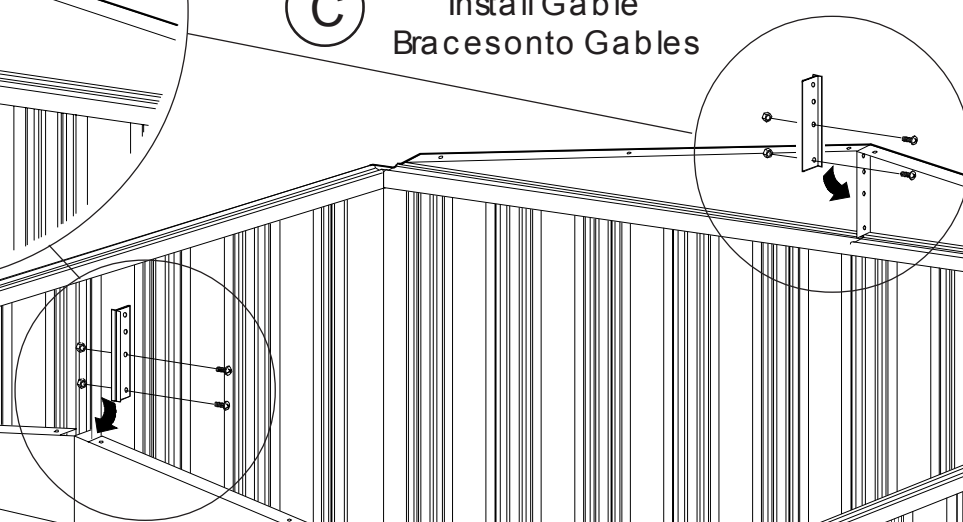
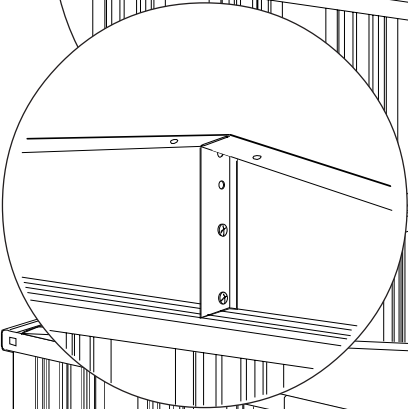
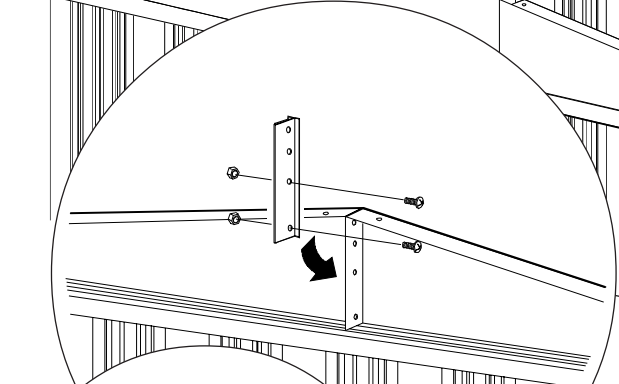
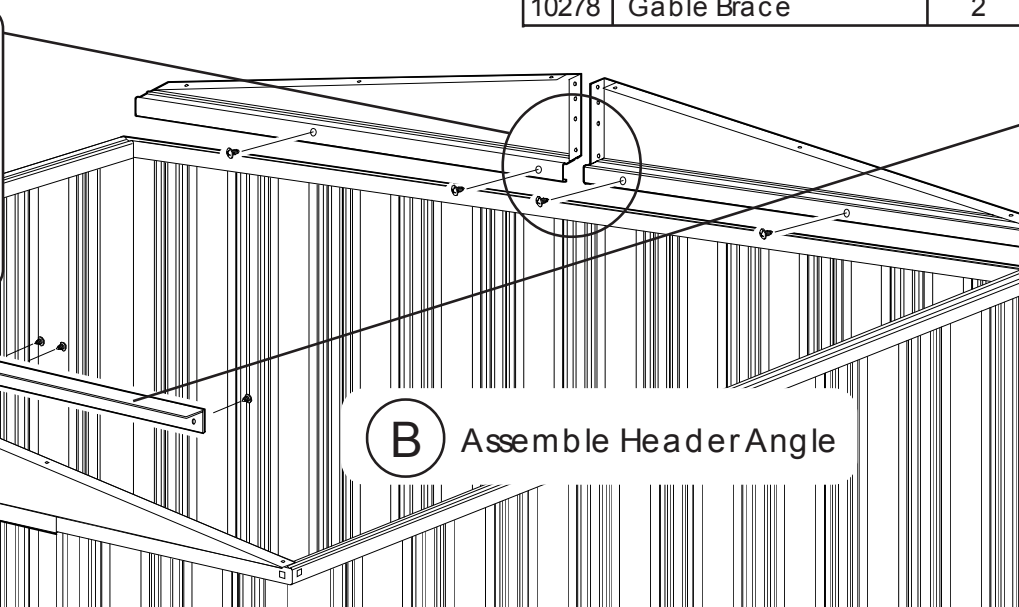
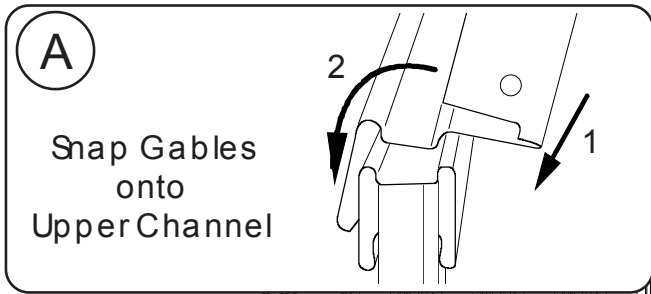
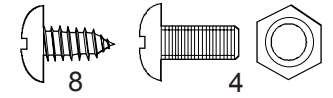




# Step 5 Gable & Ridge Beam Assembly



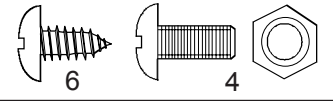
Part No	Name	Quantity
10265	Left Gable	2
10266	Right Gable	2
10258	Header Angle	1
10278	Gable Brace	2



# Gable & Ridge Beam Assembly . . . .cont

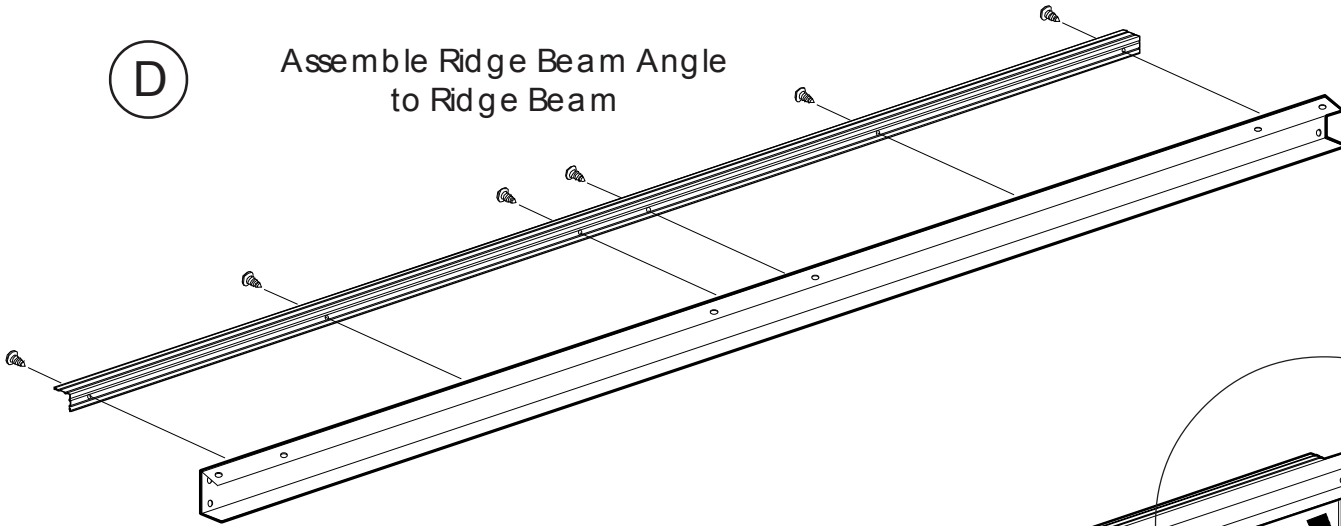


Part No	Name	Quantity
10269	Ridge Beam	1
10312	Ridge Beam Angle	1



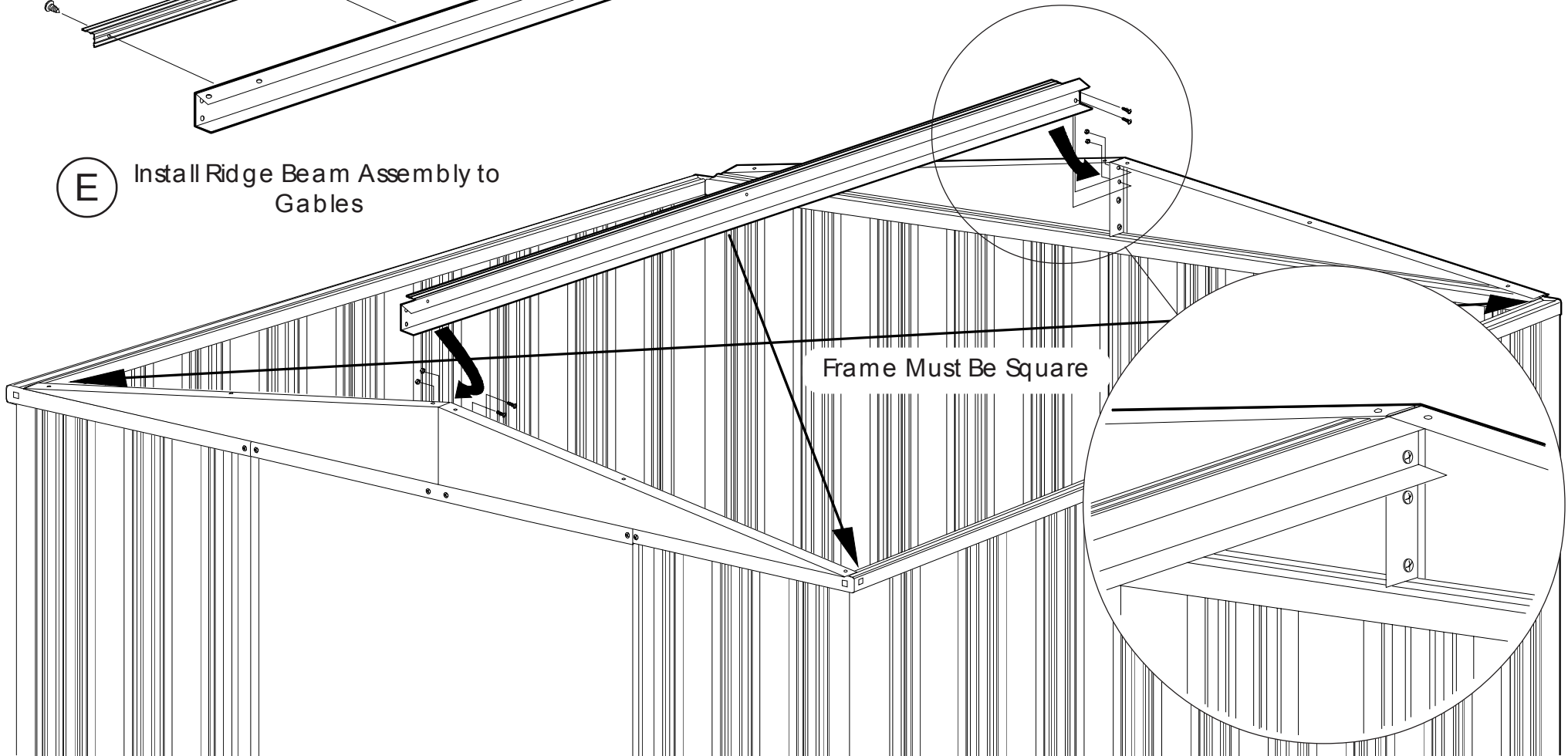
D

Assemble Ridge Beam Angle to Ridge Beam



E

Install Ridge Beam Assembly to Gables



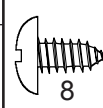
**CAUTION**

**Sharp Edges**

# Step 6 Pre-assembly - Roof

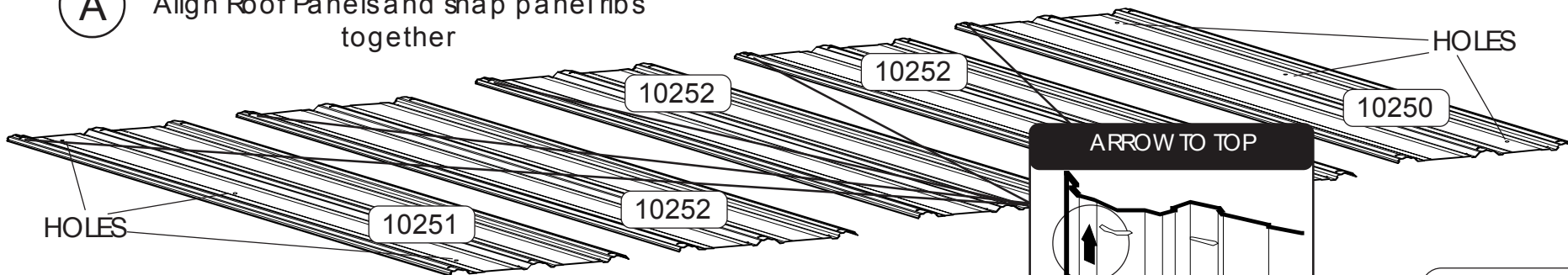


Part No	Name	Quantity
10252	Roof Panel	6
10250	Roof Panel-Right	2
10251	Roof Panel-Left	2
10267	Roof Channel	4
10320	Roof Fascia	4

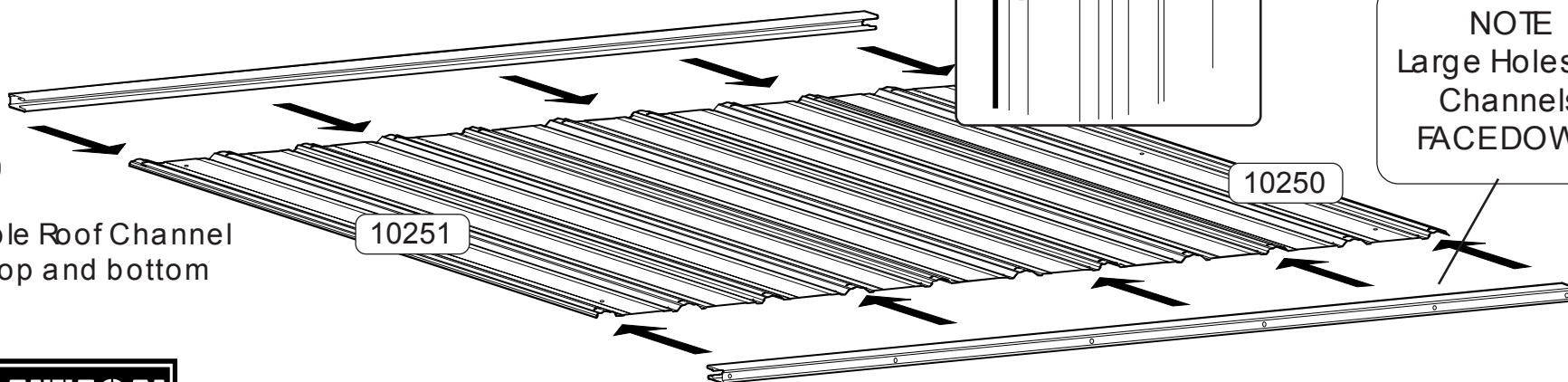


MAKE TWO (2) ROOF SECTIONS

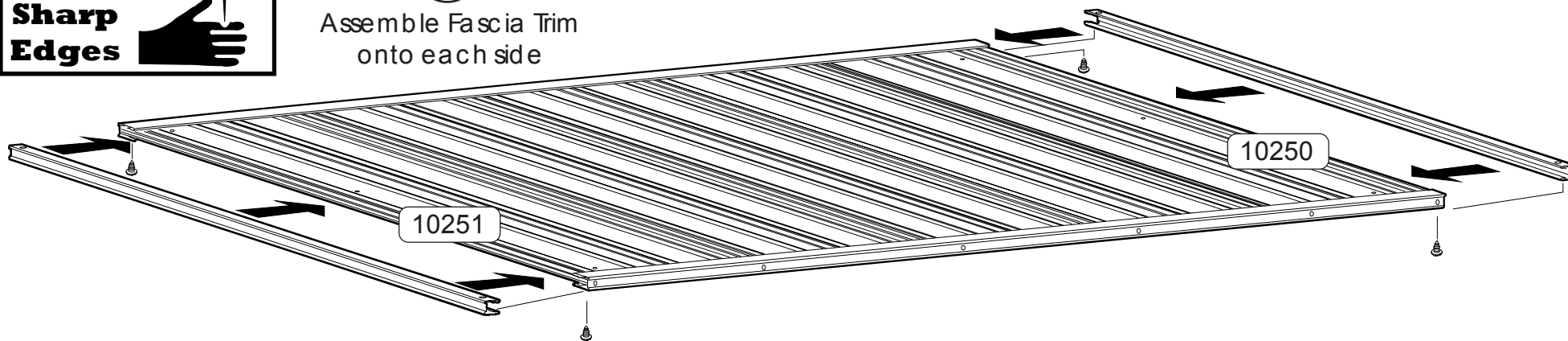
**A** Align Roof Panels and snap panel ribs together



**B** Assemble Roof Channel onto top and bottom



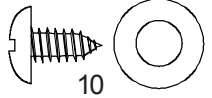
**C** Assemble Fascia Trim onto each side



# Step 7 Roof Assembly

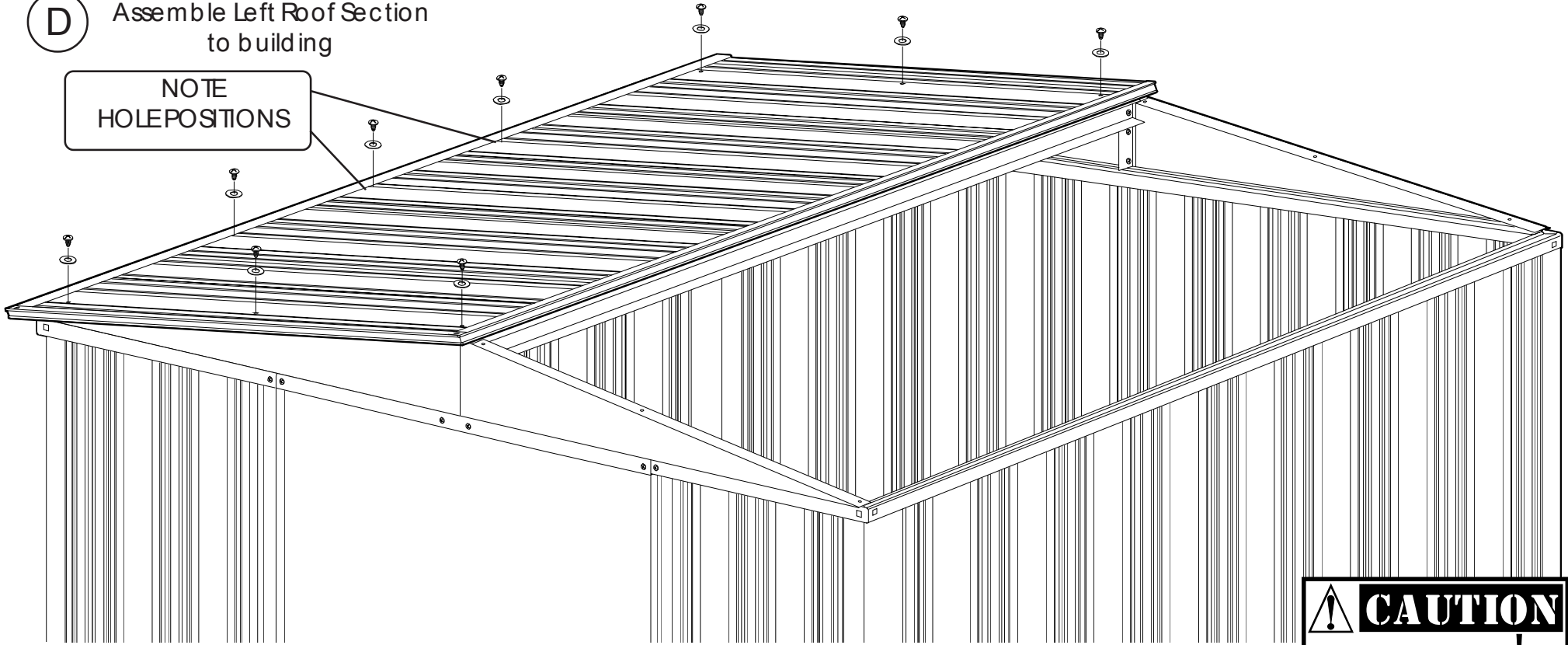


Part No	Name	Quantity
10270	Ridge Cap	1

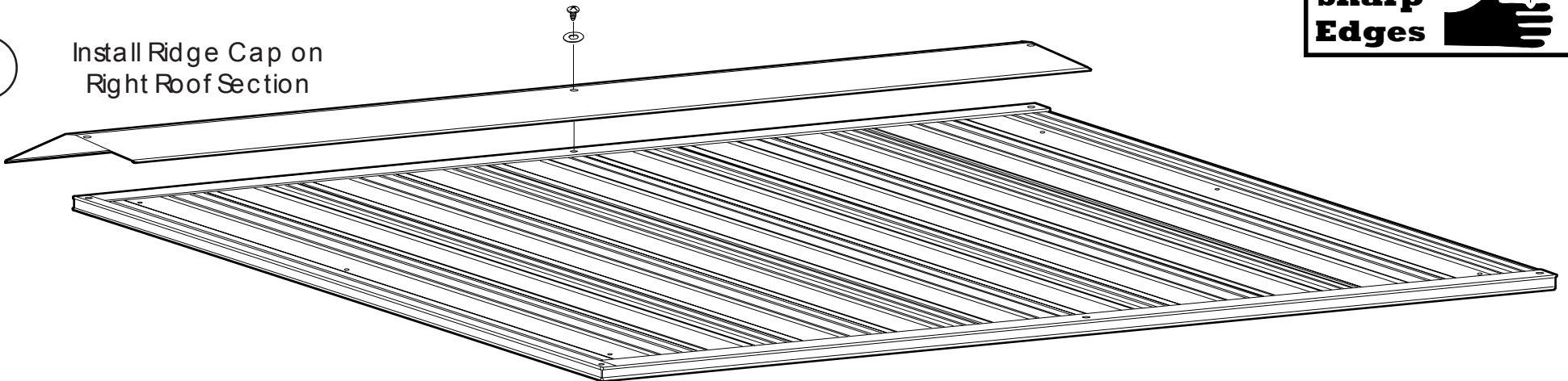


**D** Assemble Left Roof Section to building

NOTE  
HOLE POSITIONS



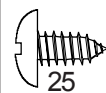
**E** Install Ridge Cap on Right Roof Section



# Roof Assembly...cont



Part No	Name	Quantity
	Peak Cap	2
	Corner Cap	4

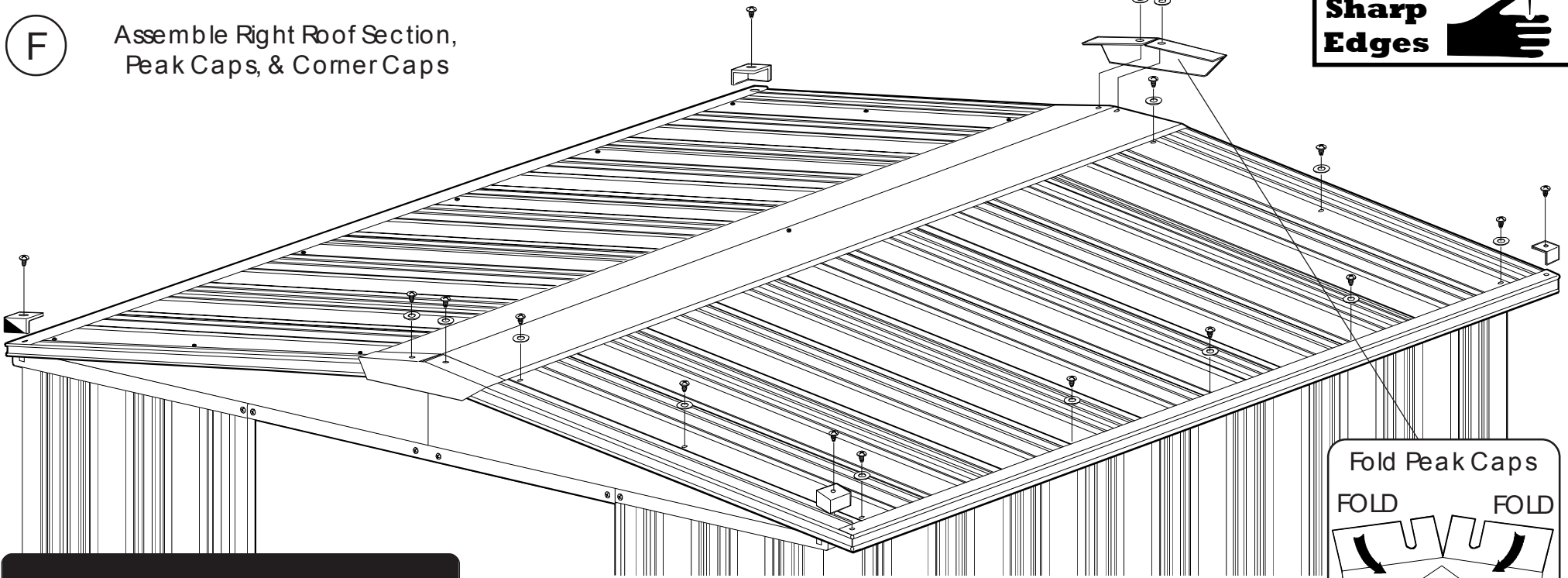


**CAUTION**

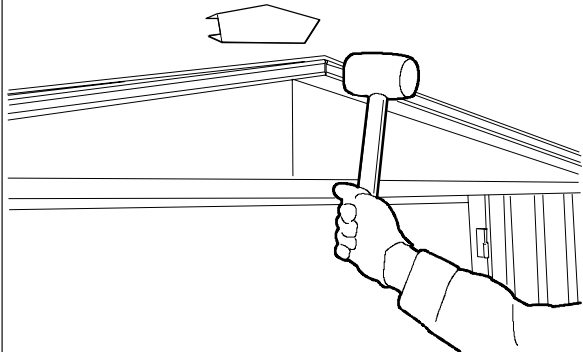
**Sharp Edges**

**F**

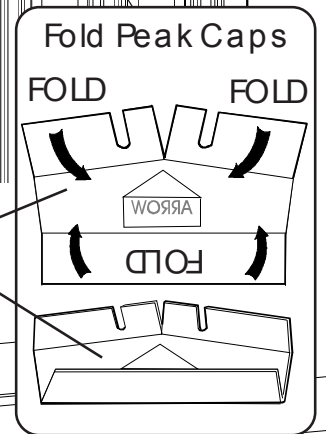
Assemble Right Roof Section, Peak Caps, & Corner Caps



**HELPFUL HINT**



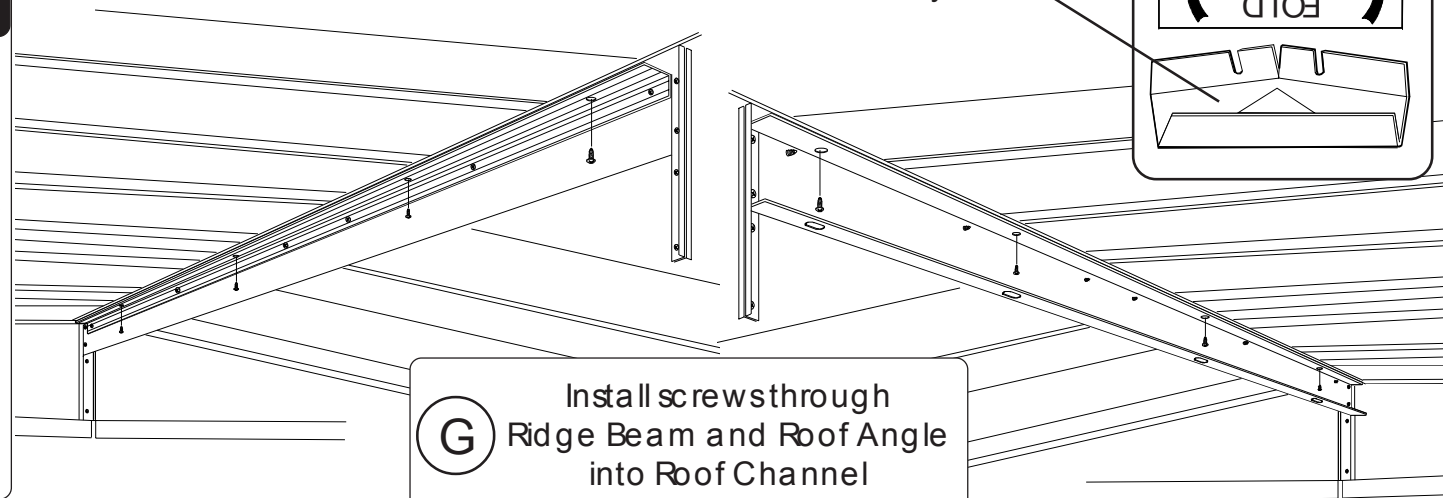
Gently tap Channel to align holes with Main Ridge Beam



Gray Paint

**G**

Install screws through Ridge Beam and Roof Angle into Roof Channel

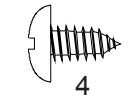




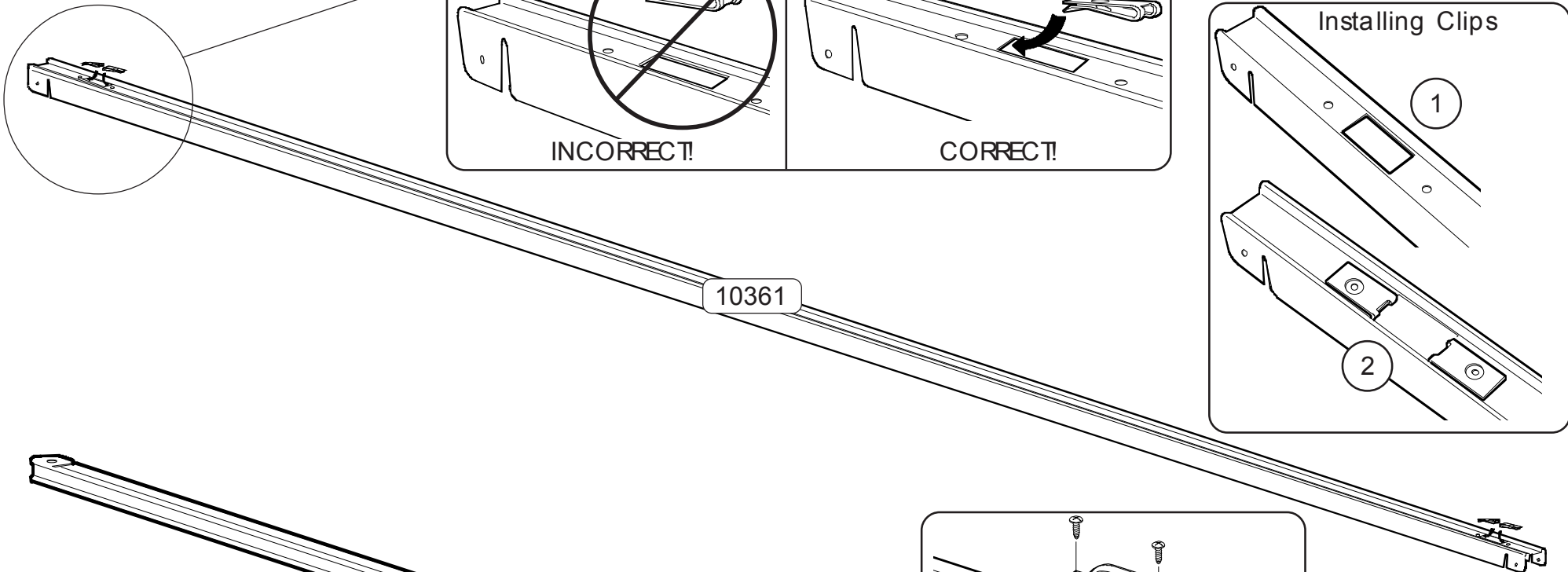
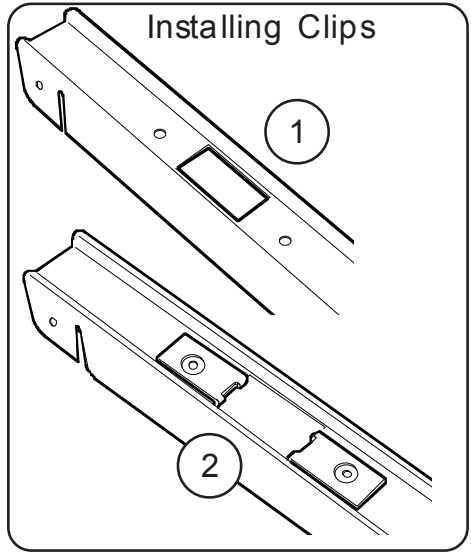
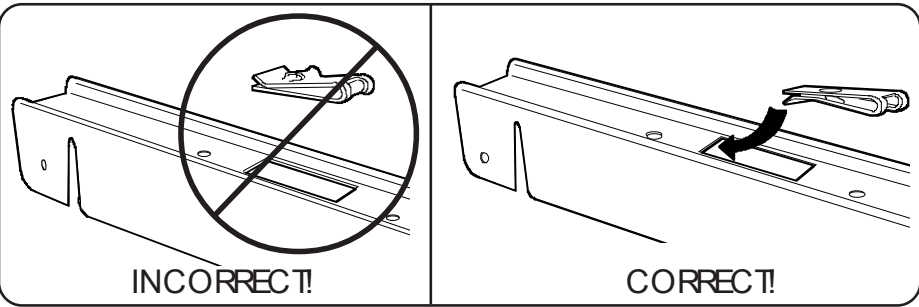
# Step 8 Door Assembly



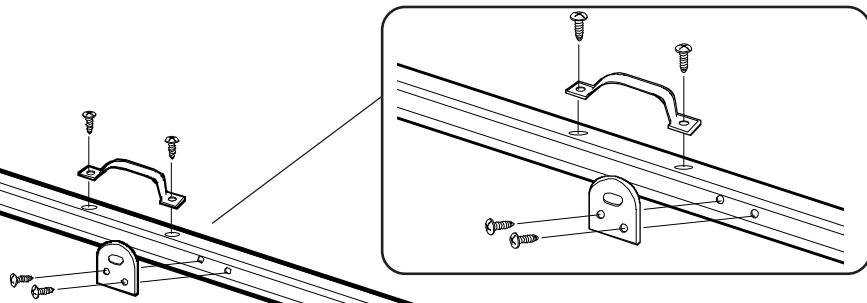
Part No	Name	Quantity	Part No	Name	Quantity
10361	Vertical Door Brace	1		Padlock Eyelet	1
10369	Vertical Door Brace Handle	1		Clip	4



**A** Side Clips onto Vertical Door Brace



**B** Attach Door Handle & Padlock Eyelet to Vertical Door Brace

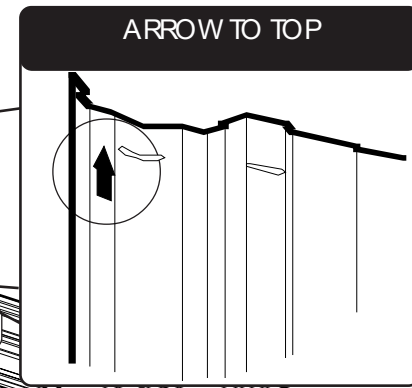
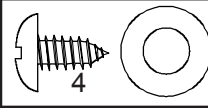




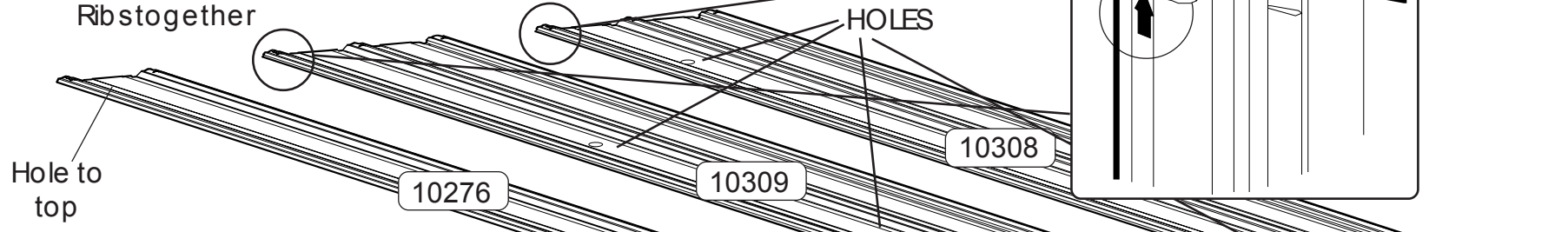
# Door Assembly . . . .cont



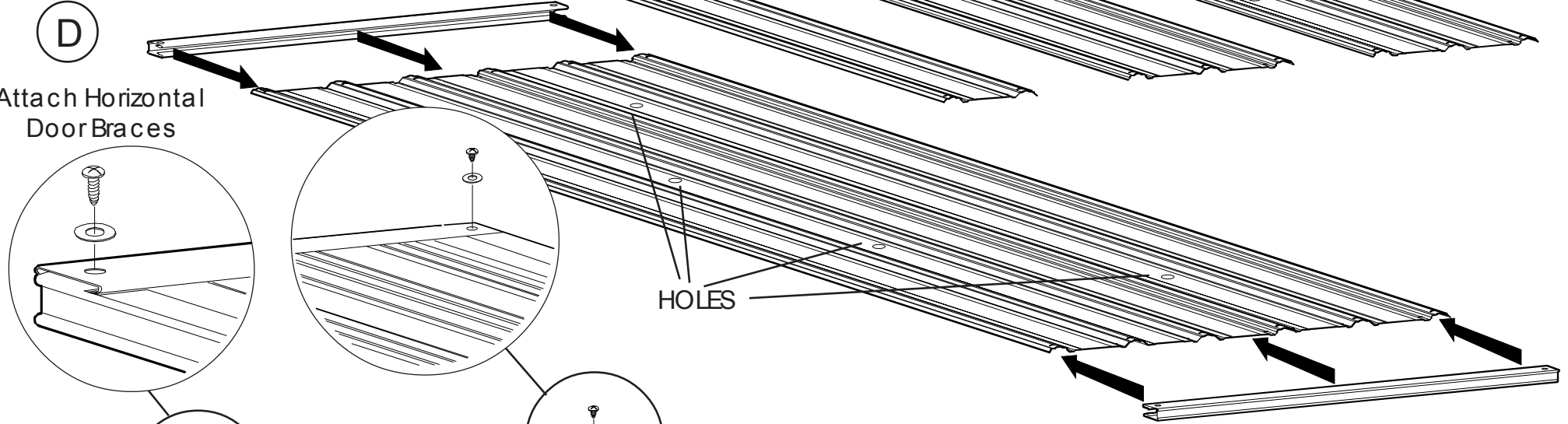
Part No	Name	Quantity
10276	Door Panel (1/2)	1
10308	Door Panel	1
10309	Door Panel	1
10275	Door Brace (Horz)	2



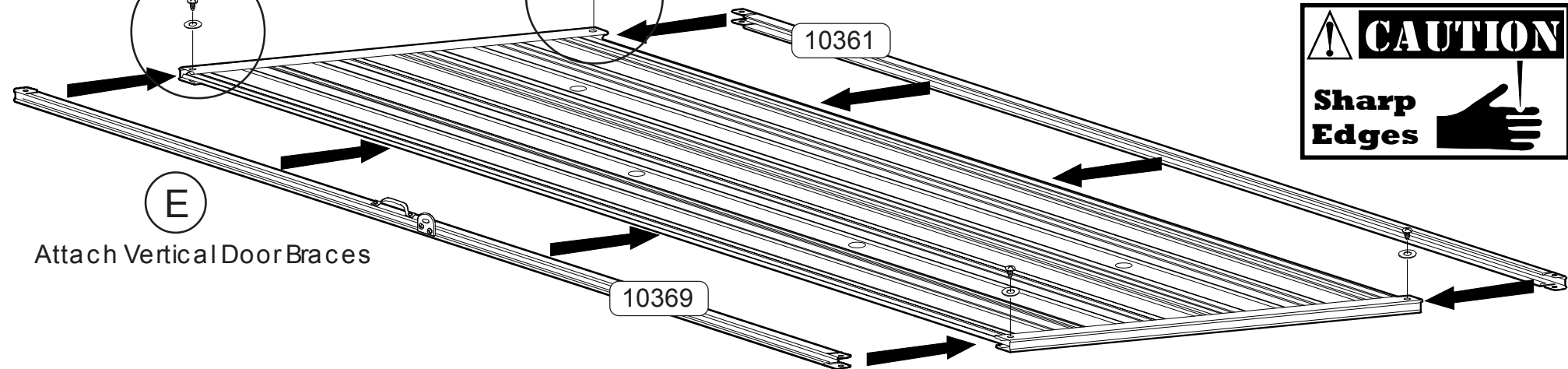
**C** Align Door Panels & snap Panel Rib together



**D** Attach Horizontal Door Braces



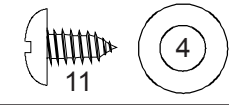
**E** Attach Vertical Door Braces



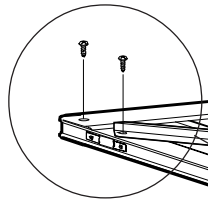
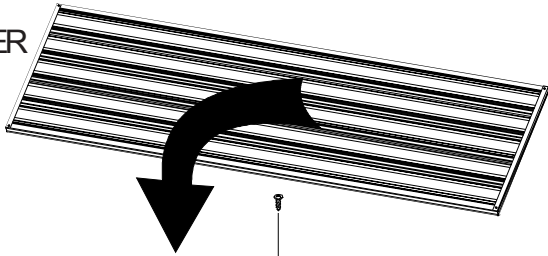
# Door Assembly . . . . cont



Part No	Name	Quantity
10288	Diagonal Door Brace	2

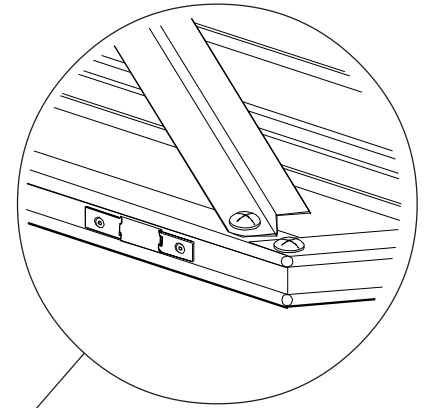


**F** Turn Door OVER

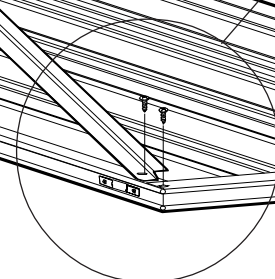
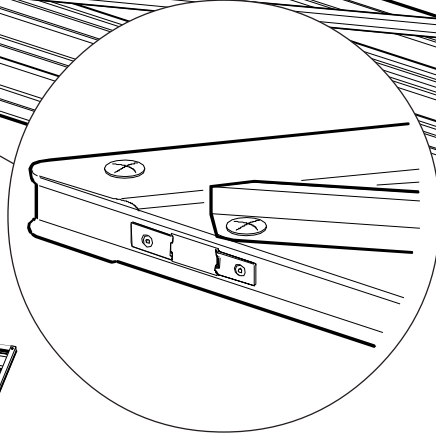
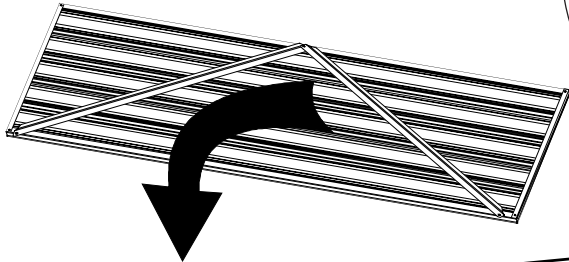


**G**

Attach Diagonal Braces & install Screws for Horizontal Braces

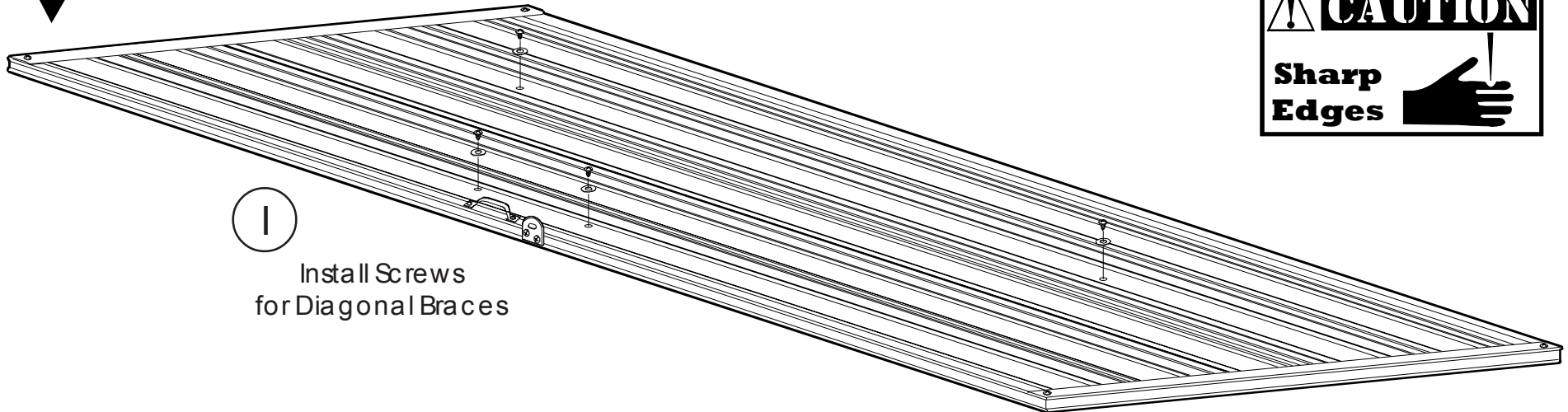


**H** Turn Door OVER



**I**

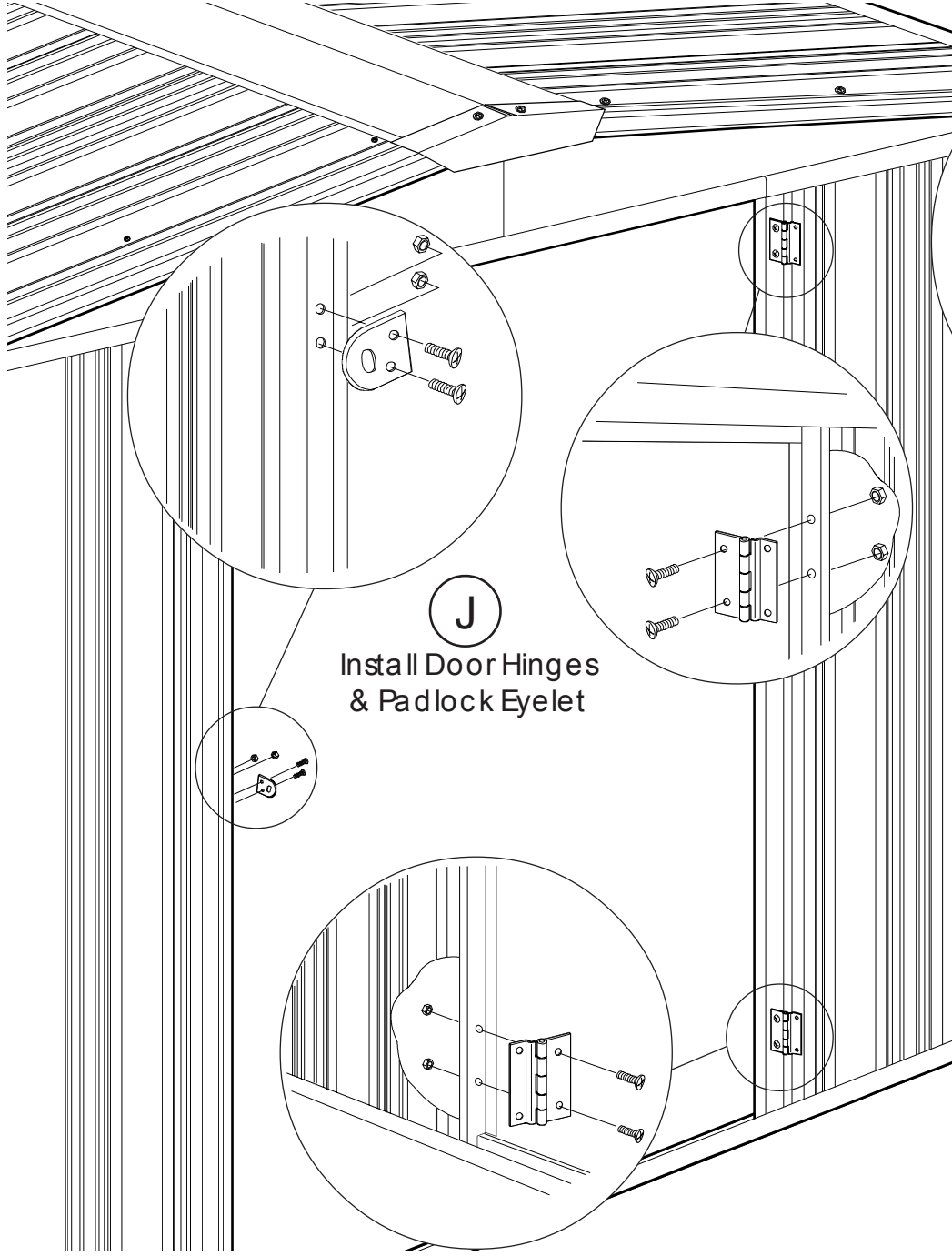
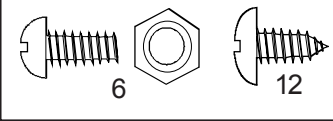
Install Screws for Diagonal Braces



# Door Assembly . . . cont

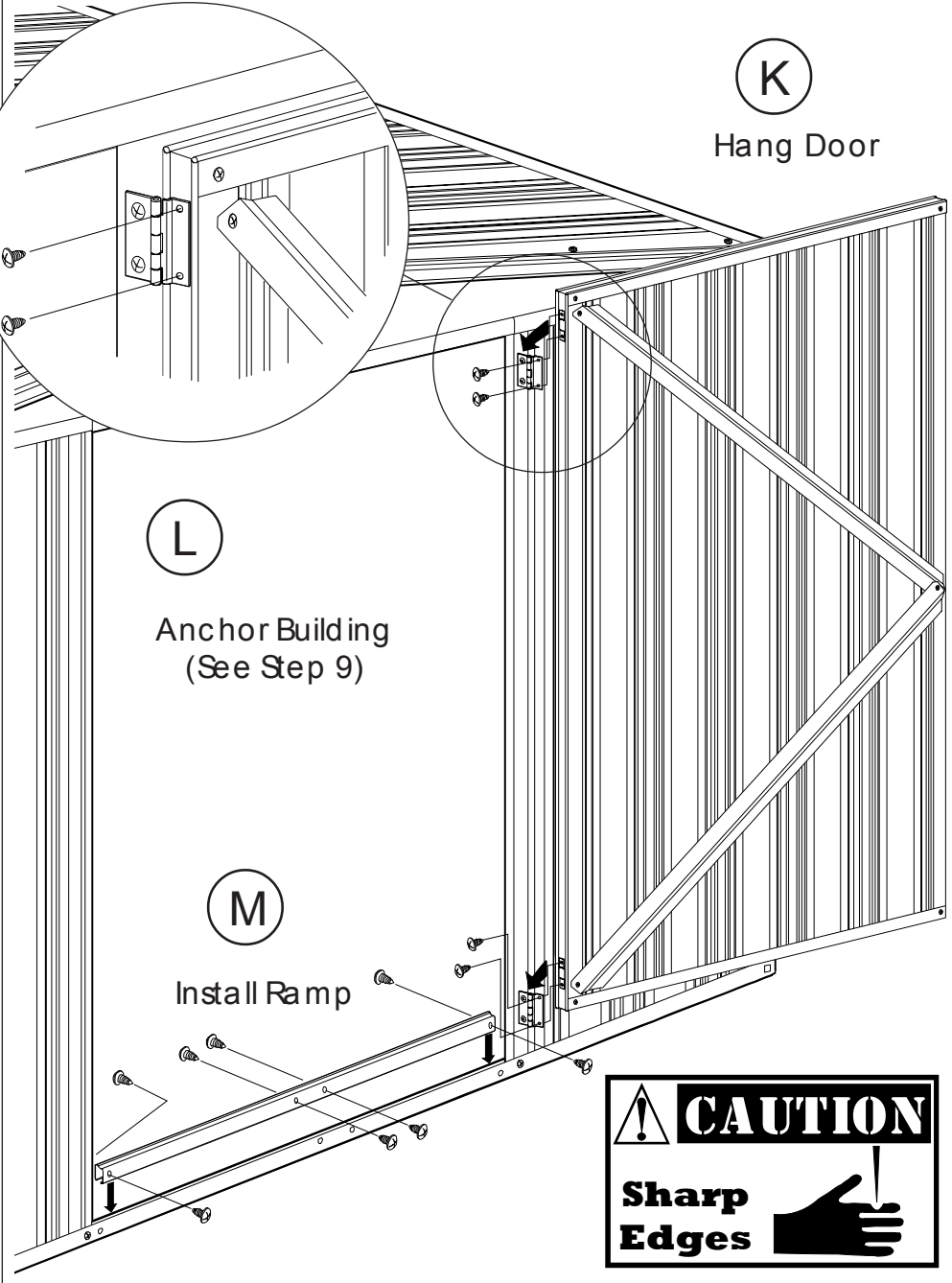


Part No	Name	Quantity
	Padlock Eyelet	1
66718	Hinge	2
10264	Ramp	1



**J**

Install Door Hinges  
& Padlock Eyelet



**K**

Hang Door

**L**

Anchor Building  
(See Step 9)

**M**

Install Ramp

**CAUTION**

**Sharp Edges**

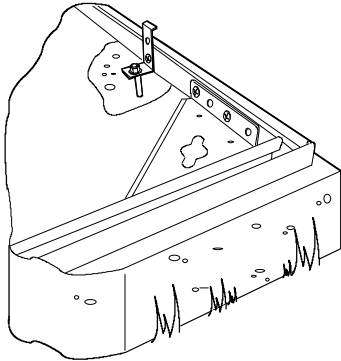
## Step 9 Anchor Building



It is important that building be anchored after construction. These are recommended ways of anchoring.

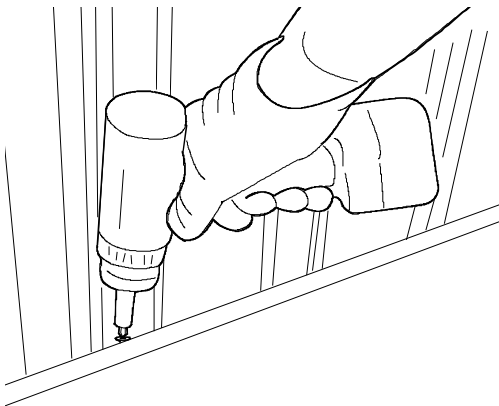
Anchor Kit Model No AK100, SAK100 or 68383

Recommended for use with concrete foundation. Contains corner gussets, perimeter clips, hardware, 1/4" masonry drill bit and installation instructions.

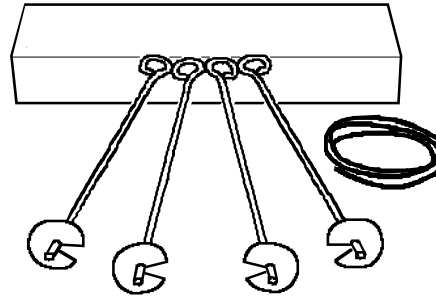


### Anchor into Wood or Concrete

For wood platform. Use Decking Screws.  
For concrete slab. Use Lag Screws.

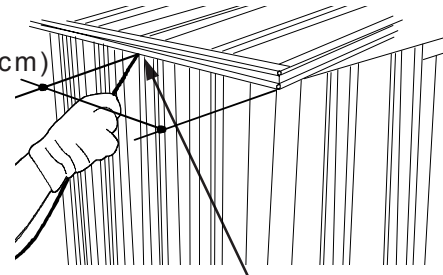


### Anchor Kit Model No AK4, SAK4 or 60298

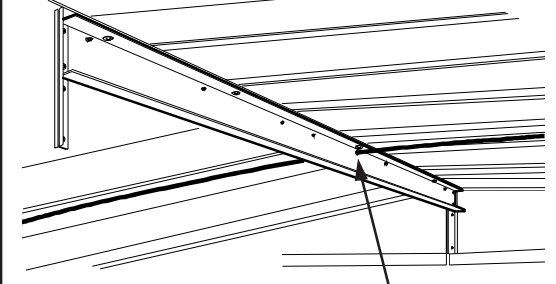


Recommended for use with any suggested base. Contains 4 Anchors with Cable, clamps and installation instructions.

13"  
(33.02 cm)

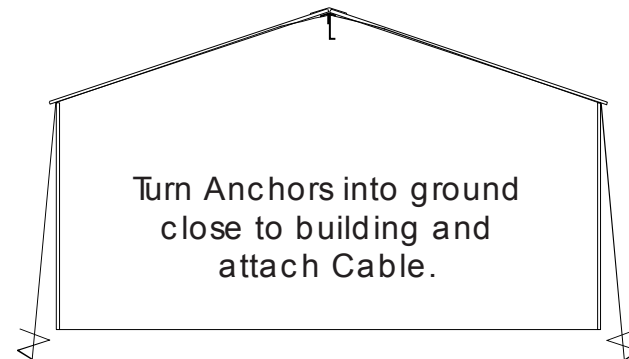


Insert Cable



Feed Cable through hole  
in Ridge Beam & Ridge  
Beam Angle

Turn Anchors into ground  
close to building and  
attach Cable.



# Parts List 6x5

Dia. No.	Part Name	Qty	Part No.	Dia. No.	Part Name	Qty	Part No.
1	Wall Panel	13	10307	20	Roof Panel (left)	2	10251
2	Wall Panel - Right	1	10316	21	Roof Panel (right)	2	10250
3	Wall Panel - Left	1	10317	22	Roof Channel	4	10267
4	Corner Panel	4	10268	23	Roof Fascia	4	10320
5	Upper Channel (painted)	2	10261	24	Ridge Cap	1	10270
6	Floor Channel (unpainted)	2	10255	25	Peak Cap	2	
7	Upper Channel (painted)	2	10262	26	Corner Cap	4	
8	Floor Channel (unpainted)	2	10256	27	Door Panel (1/2)	1	10276
9	Door Jamb	2	10373	28	Door Panel	1	10308
10	Header Trim	1	10263	29	Door Panel	1	10309
11	Ramp	1	10264	30	Vertical Door Brace	1	10361
12	Corner Clip	8	10280	31	Vertical Door Brace	1	10369
13	Left Gable	2	10265	32	Horizontal Door Brace	2	10275
14	Right Gable	2	10266	33	Diagonal Door Brace	2	10288
15	Header Angle	1	10258				
16	Gable Braces	2	10278				
17	Ridge Beam	1	10269				
18	Ridge Beam Angle	1	10312				
19	Roof Panel	6	10252				

Separate contents of the carton by the part number while reviewing parts list.  
Check to be sure that you have all the necessary parts for your building.

If you find any parts missing  
during construction call:

**1-800-851-1085**

or write:

**CUSTOMER SERVICE**

1101 North Fourth Street  
Breese, Illinois 62230

[www.sheds.com](http://www.sheds.com)

Please include your Model Number, Part Number,  
and Part Name

Keep this Assembly Manual for further reference.

# 6x5

